

PROUD OF OUR PAST

THE PAST

During the winter months in 1964, to make up for the fact he wasn't working during that period, (hotel occupancy being a very seasonal affair in the area) a hotelier from Bellaria decided to occupy his time by producing equipment.

It was thus that the first Metalcarrelli trolleys were produced, as a result of years of experience gained in the hotel management business.

THE PRESENT

Today Metalcarrelli is run by Ivana Petrucci, the daughter of that far-sighted hotelier, along with Franco Picchi, who has been the company's CEO since 1970. Over 40 years of specific experience in this field make the company a veritable benchmark for the industry.

It is a dynamic business enterprise with what is considered to be one of the most comprehensive ranges of products in the sector, comprising over 2,000 articles.

THE FUTURE

Even faced with a scenario of great uncertainty and economic crisis, those who have succeeded in managing their resources well over the years can look towards the future with greater peace of mind.

And that's precisely how Metalcarrelli is preparing to deal with fresh challenges with renewed commitment, determination and reliability - characteristics that have always been our hallmark.

1964

1980

2000

2013



OVER 40 YEARS' EXPERIENCE IN THE HO.RE.CA SECTOR

We design and manufacture trolleys and other decorative service items and accessories for professional use in the most varied sectors, including hotels, restaurants, hospitals, care homes, institutions etc...

Our history is firmly rooted in the world of artisan craftsmanship.

We have developed our know-how as a result of forty years' experience in the sector and have invested in order to optimize production, becoming market leaders and benchmark partners for many professional operators.

Our catalogue comprises a remarkably vast range of items, all of which offer great value for money.

We firmly believe in the importance of "Made in Italy" and work daily with numerous clients both in Italy and overseas.

We constantly work towards improving production standards through the use of new technologies and materials and particularly focus on energy saving methods and in compliance with all health and safety regulations.

Our products are virtually indispensable for business enterprises in a variety of sectors; in the kitchens of large institutions, care homes and hospitals, in school refectories and staff canteens and all other areas of the catering and hospitality sector.



ATTENTIVE TO OUR CLIENTS' REQUIREMENTS

Our company has always been committed to achieving complete client satisfaction; indeed it is our primary objective.

We work with utmost dedication and commitment in selecting the products we offer, to ensure they address the strictest needs and most demanding requirements of the ho.re.ca sector, in drafting estimates, in our pre- and after-

sales technical assistance and in the care we take in fulfilling orders. Wherever possible, we will also happily evaluate and consider requests for special items that do not feature in our catalogue.

The trust and respect we have gained from our clients over the years has always fully rewarded our efforts and spurs us on to renew our constant commitment to achieve the highest possible level of

client satisfaction, as we trust we have accomplished in drafting this catalogue.

The Metalcarrelli brand has always been synonymous with quality and trustworthiness and is therefore the most reliable response to your requirements.



General Manager
Franco Picchi
☎ +39 0541 331891
Fax +39 0541 331561
picchi@metalcarrelli.com

Administration Manager
Ivana Petrucci
☎ +39 0541 333802
Fax +39 0541 331427
petrucci@metalcarrelli.com

Sales Department Italy
☎ +39 0541 333803
Fax +39 0541 331561
vendite@metalcarrelli.com

Sales Department Overseas
☎ +39 0541 333801
Fax +39 0541 331561
sales@metalcarrelli.com

Logistics Department
☎ +39 0541 331627
Fax +39 0541 331561
logistica@metalcarrelli.com

Technical Department
Fax +39 0541 331561
tecnico@metalcarrelli.com

Purchasing Department
☎ +39 0541 333800
Fax +39 0541 331561
acquisti@metalcarrelli.com



We have created a dynamic website, especially designed to meet our clients' requirements. Indeed it not only offers visitors the possibility to see detailed images of our products, it also contains their exact specification.

As well as the entire catalogue it is also possible to view technical manuals and price lists.

All the information you need, available with little more than a simple click!

From the home page you can access:

1. contents in English
2. internal website search engine
3. main menu
(company - news - promotional offers - events - where to find us)
4. reserved area (newsletter - dealer area - catalogue download area)
5. Metalcarrelli presentation
6. news interactive animated banner
7. promotional events interactive animated banner
8. events interactive animated banner
9. category menu

Reserved area
for operators, with access to the price list and the possibility to purchase directly from the website.


Possibility to download the catalogue in PDF format.



Registration for the newsletter
so you can keep up to date on company news.

Immediate accessibility to images and technical specification for everyone, with the possibility to download documents in PDF format for use in personalized quotations.

Carrelli inox portata pesante



Art. 1540PL

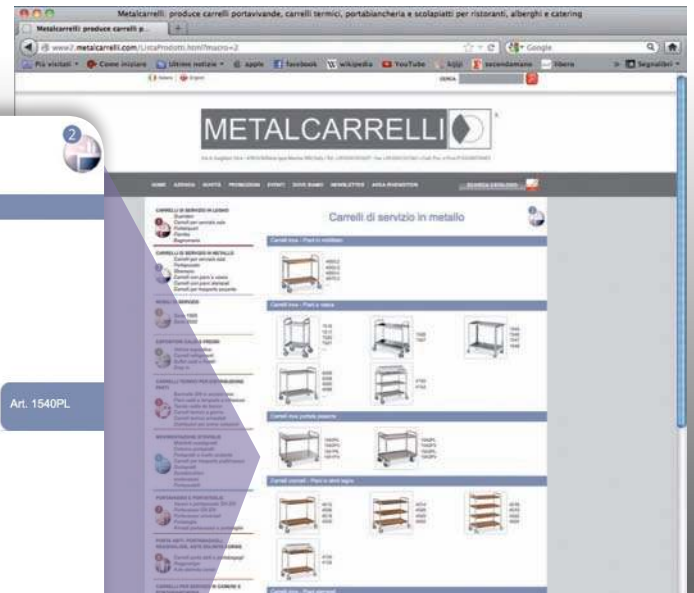
Art. 1540PL Carrelli inox per trasporto pesante - 2 piani lisci - dim. cm 108x61x93

Descrizione


Struttura in tubo di acciaio inox AISI 304 sezione cm 2,5x2,5
 N° 2 piani in lamiera di acciaio inox AISI 304, lisci, saldati al telaio
 Paracolpi in gomma grigia agli angoli
 Ruote piroettanti a piastra, 2 girevoli con freno Ø cm 12,5
 Portata complessiva kg 200
 Dim. max ingombro - cm 108x61x93

Accessori

- AB01 Bacinella portarifiuti in PVC
- AB02 Bacinella portarifiuti in PVC
- SE230 Set 4 ruote elastiche, di cui 2 con freno



Carrelli portatili/bagagli



Art. 1920

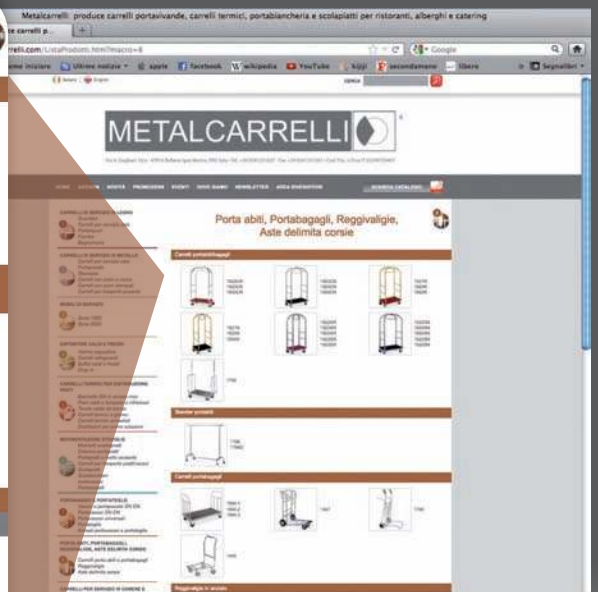
Art. 1921R Carrelli portatili/portabagagli, struttura ottonata, moquette bordeaux

Descrizione

Struttura in tubo di acciaio ottonato, protetto da vernice trasparente.
 Ripiano rivestito in moquette, colore bordeaux.
 Profilo esterno protetto da paracolpi in gomma.
 Ruote Ø cm 16, due fisse e due piroettanti con freno.
 » Set ruote piroettanti elastiche Ø cm 16 in gomma grigia morbida di cui n.2 con freno, per pavimenti sconnessi (OPTIONAL).
 Dim. max ingombro - cm 798x59x189

Accessori

- SE280 Set 4 ruote elastiche, di cui 2 con freno
- SE310 Set 4 ruote elastiche, di cui 2 con freno



As well as the opportunity to navigate the product area to obtain more technical information and visualize enlarged images, it is also possible to explore the area dedicated to news, featuring new products that do not

appear on the catalogue. The products in this area also have fully-accessible technical information and photos.

1



WOODEN SERVICE TROLLEYS

| | |
|---------------------------------------|-------|
| Guéridon | 12-21 |
| Service trolleys - wood - series 6060 | 22-25 |
| Service trolleys - wood - series 6050 | 26-27 |
| Service trolleys - wood - series 6100 | 28-32 |
| Liqueur trolleys | 33 |
| Service trolleys - wood - series 6800 | 34-39 |
| Service trolleys - wood - series 65 | 40-59 |
| Flambé trolleys | 60-63 |
| Bain-Marie trolleys | 64-65 |

2



METAL SERVICE TROLLEYS

| | |
|---|-------|
| Service trolleys - stainless steel / wood | 68-69 |
| Service trolleys - chrome-plated / plastic coated | 70-72 |
| Cutlery trolleys | 73 |
| Clearing trolleys | 74-75 |
| Deep tray shelves | 76-83 |
| Pressed shelves | 84-89 |
| Heavy duty trolleys | 90-91 |

3



WAITER'S STATIONS

| | |
|--|---------|
| Waiter's stations - wood - series 1600 | 94-99 |
| Waiter's stations - wood - series 8500 | 100-105 |

4



DISPLAY UNITS (HEATED/CHILLED)

| | |
|--|---------|
| Heated/chilled display cases | 110-113 |
| Refrigerated trolleys | 114-119 |
| Hot and chilled buffet mobile counters | 120-145 |
| Drop-in wells | 146-149 |
| Stainless steel refrigerated trolleys | 150-151 |

5



HOTPLATES AND BAIN-MARIE TROLLEYS

| | |
|---------------------------------------|---------|
| Countertop hotplates - Infrared lamps | 154-161 |
| Stainless steel Gastronorms | 162-163 |
| Countertop Bain-Marie units | 164-167 |
| Bain-Marie trolleys | 168-219 |
| Drinks dispensers | 220-221 |



TABLEWARE HANDLING TROLLEYS

| | |
|--|---------|
| Plate warmer cabinets _____ | 224-225 |
| Countertop / Wheeled plate stackers _____ | 226-229 |
| Plate trolleys _____ | 230-232 |
| Plate dispensers and lowerators _____ | 233 |
| Crockery and glassware draining trolleys _____ | 234-237 |
| Wall-mounted drainers _____ | 238 |
| Tray/lid draining trolleys _____ | 239 |
| Dishwasher rack trolleys _____ | 240-241 |



TRAY/PAN RACKING TROLLEYS

| | |
|---------------------------------|---------|
| GN - EN tray trolleys _____ | 244-253 |
| Universal tray trolleys _____ | 254-263 |
| Container trolleys _____ | 266-276 |
| Tray/pan mobile cupboards _____ | 277-293 |



LUGGAGE RACKS AND CARTS, POSTS FOR BARRIER SYSTEMS AND SHOE POLISHERS

| | |
|--|---------|
| Birdcage luggage carts _____ | 296-301 |
| Garment rails _____ | 302 |
| Luggage carts with garment rails _____ | 303-307 |
| Luggage racks _____ | 308-311 |
| Posts for barrier systems _____ | 312-313 |
| Shoe polishers _____ | 314 |



ROOM SERVICE TABLES AND HOUSEKEEPING TROLLEYS

| | |
|---|---------|
| Room service tables _____ | 318-321 |
| Insulated food carriers and food carrier trolleys _____ | 322-323 |
| Mini bar restocking trolleys _____ | 324-325 |
| Chambermaid/Housekeeping trolleys _____ | 326-337 |
| Linen trucks _____ | 338-343 |



WASTE BINS, WASTE PAPER BINS, ASHTRAYS, UMBRELLA STANDS, PAPER TOWEL DISPENSERS

| | |
|---|---------|
| Wheeled waste collectors _____ | 346-349 |
| Waste sack-holders _____ | 350-351 |
| Waste bins - recycling range _____ | 352-357 |
| Waste paper bins _____ | 358-367 |
| Litter bins and ashtray top litter bins _____ | 368-372 |
| Ashtrays _____ | 373-375 |
| Umbrella stands _____ | 376-377 |
| Paper towel dispensers/Paper towel roll holders _____ | 378-379 |

11



HANDLING, STORAGE, PLATFORM TRUCKS AND ROLL CAGES

| | |
|---|---------|
| Roll cages _____ | 382-385 |
| Platform trucks _____ | 386-391 |
| Changing room lockers _____ | 392-393 |
| Modular shelving systems - snap-in type _____ | 394-395 |
| Modular shelving systems - bolted type _____ | 396-397 |

12



SPARE PARTS



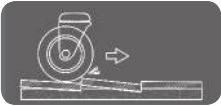



| | |
|----------------------------------|---------|
| Castors/Wheels _____ | 400-403 |
| Domes _____ | 404-407 |
| Sneeze guards _____ | 408-409 |
| Electrical components _____ | 410 |
| Heating elements - Bumpers _____ | 411 |
| Miscellaneous _____ | 412-413 |

| | |
|--|-----|
| General sales terms and conditions _____ | 414 |
|--|-----|

SYMBOLS

| | | | |
|---|--|--|---|
|  | Heated: heated wells or compartments |  | Light: provided with lighting system |
|  | Refrigerated: refrigerated wells or compartments |  | Capacity: tray capacity |
|  | Mixed: refrigerated and heated wells or compartments |  | Capacity: bakery pan capacity |
|  | Ambient: ambient wells or compartments |  | Loading capacity: max loading capacity of a trolley expressed in kg |
|  | Heating temperature: operating temperature range |  | Plate diameter: max plate diameter |
|  | Refrigeration temperature: operating temperature range |  | Gas powered: powered by gas |
|  | Ventilated: ventilation system for heated elements |  | Electrically powered: powered by electricity |

CAPTIONS

| | | | |
|---|--|--|--|
|  | Finish/Colour: finish or available colours |  | Numbered photo or drawing |
|  | Resilient castors/wheels for uneven floors and outdoor use |  | Packaging dimensions |
| | |  | Item supplied: Assembled (A) Disassembled (D) |
| | |  | Net and gross weight |

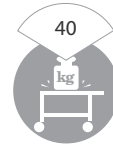
OPTIONAL: solutions to be input at the time of placing the order.
ACCESSORY: can be purchased later too.



WOODEN SERVICE
TROLLEYS

GUÉRIDON

- Stainless steel square tube frame
- Melamine-faced shelves
- Top shelf fitted with full wrap-around rubber bumper
- Swivel castors, ø 9.5cm



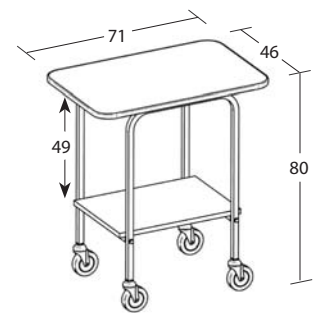
Cherry wood



Wenge



Item 1095I



12

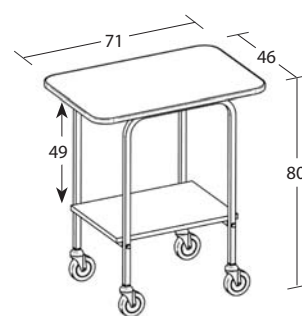
| Item | Finish | Tiers | Max dim. (cm) |
|--------|-------------|-------|---------------|
| 1095I | Cherry wood | 2 | 71x46x80 |
| 1095IW | Wenge | 2 | 71x46x80 |

| Options | Description | For item |
|---------|---|----------------|
| S1130 | 1 Set with 2 chrome-plated braked castors | 1095I - 1095IW |
| SE130 | 2 Set with 4 resilient castors (2 with brake) | 1095I - 1095IW |



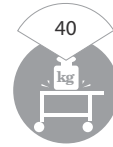


Item 1095IW



GUÉRIDON

- Chrome-plated steel round tube frame
- Melamine-faced shelves
- Top shelf fitted with full wrap-around rubber bumper
- Swivel castors, ø 9.5cm



Cherry wood



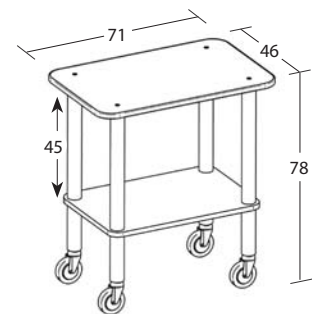
Black



Wenge



Item 1095C



14

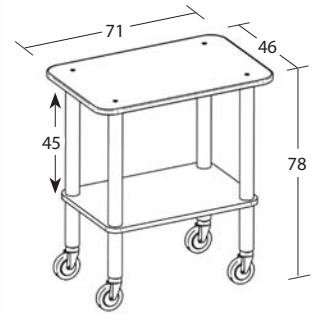
| Item | Finish | Tiers | Max dim. (cm) |
|--------|-------------|-------|---------------|
| 1095C | Cherry wood | 2 | 71x46x78 |
| 1095CN | Black | 2 | 71x46x78 |
| 1095CW | Wenge | 2 | 71x46x78 |

| Options | Description | For item |
|---------|---|-------------------------|
| S1120 | 1 Set with 2 chrome-plated braked castors | 1095C - 1095CN - 1095CW |
| SE120 | 2 Set with 4 resilient castors (2 with brake) | 1095C - 1095CN - 1095CW |

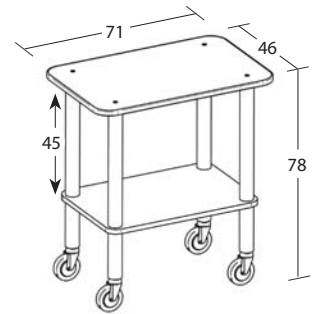




Item 1095CN + S1120

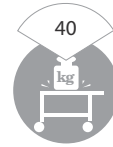


Item 1095CW



GUÉRIDON

- Brass-plated or black round tube frame
- Melamine-faced shelves
- Top shelf fitted with full wrap-around rubber bumper
- Swivel castors, ø 9.5cm



Cherry wood



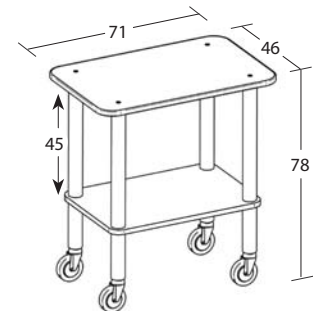
Black



Wenge



Item 1080



16

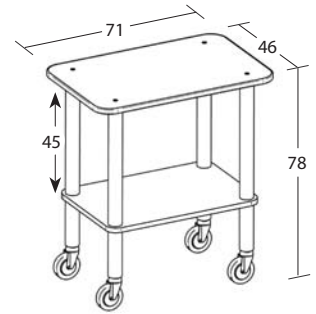
| Item | Trolley finish | Tiers | Leg finish | Max dim. (cm) |
|-------|----------------|-------|--------------|---------------|
| 1080 | Black | 2 | Black | 71x46x78 |
| 1088 | Cherry wood | 2 | Brass-plated | 71x46x78 |
| 1088N | Black | 2 | Brass-plated | 71x46x78 |
| 1088W | Wenge | 2 | Brass-plated | 71x46x78 |

| Options | Description | For item |
|---------|---|----------------------|
| S1110 | - Set with 2 brass-plated braked castors | 1088 - 1088N - 1088W |
| S1120 | 1 Set with 2 chrome-plated braked castors | 1080 |
| SE110 | 2 Set with 4 resilient castors (2 with brake) | 1088 - 1088N - 1088W |
| SE120 | 2 Set with 4 resilient castors (2 with brake) | 1080 |

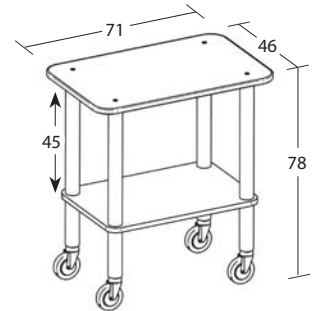




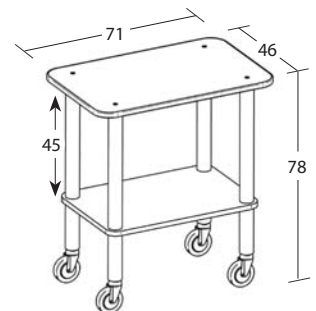
Item 1088



Item 1088N + S1110

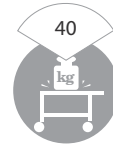


Item 1088W



GUÉRIDON

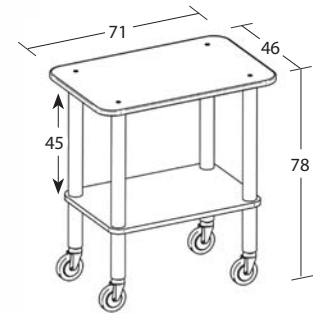
- Solid wood frame
- Melamine-faced shelves
- Top shelf fitted with full wrap-around rubber bumper
- Swivel castors, ø 9.5cm



Cherry wood



Wenge



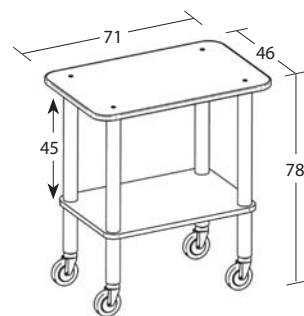
Item 1095S

18

| Item | Finish | Tiers | Max dim. (cm) |
|--------|-------------|-------|---------------|
| 1095S | Cherry wood | 2 | 71x46x78 |
| 1095SW | Wenge | 2 | 71x46x78 |

| Options | Description | For item |
|---------|---|----------|
| S1110 | - Set with 2 brass-plated braked castors | 1095S |
| S1120 | 1 Set with 2 chrome-plated braked castors | 1095SW |
| SE110 | 2 Set with 4 resilient castors (2 with brake) | 1095S |
| SE120 | 2 Set with 4 resilient castors (2 with brake) | 1095SW |



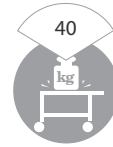


Item 1095SW



GUÉRIDON

- Solid wood frame
- Veneered MDF shelves
- Bottom shelf with raised edge
- Swivel castors, ø 10cm



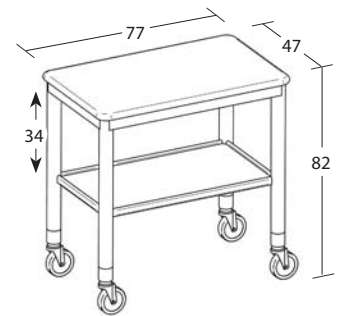
Walnut



Wenge



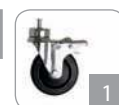
Item 6000



20

| Item | Finish | Tiers | Max dim. (cm) |
|-------|--------|-------|---------------|
| 6000 | Walnut | 2 | 77x47x82 |
| 6000W | Wenge | 2 | 77x47x82 |

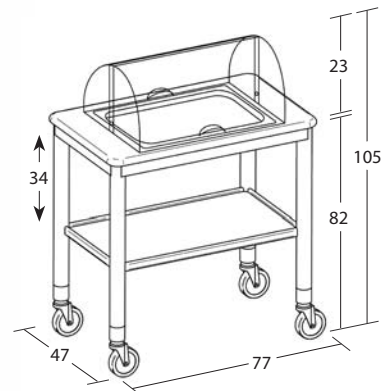
| Options | Description | For item |
|---------|---|--------------|
| S1140 | 1 Set with 2 chrome-plated braked castors | 6000 - 6000W |
| SE140 | 2 Set with 4 resilient castors (2 with brake) | 6000 - 6000W |



- Solid wood frame
- Veneered MDF shelves
- Top shelf with roll-top dome opening on both sides and one 1/1GN 20mm-deep stainless steel tray
- Bottom shelf with raised edge
- Swivel castors, ø 10cm



Item 6000CW



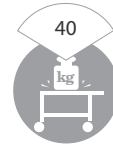
| Item | Finish | Tiers | Max dim. (cm) |
|--------|--------|-------|---------------|
| 6000C | Walnut | 2 | 77x47x105 |
| 6000CW | Wenge | 2 | 77x47x105 |

| Options | Description | For item |
|---------|---|----------------|
| S1140 | 1 Set with 2 chrome-plated braked castors | 6000C - 6000CW |
| SE140 | 2 Set with 4 resilient castors (2 with brake) | 6000C - 6000CW |



SERIES 6060

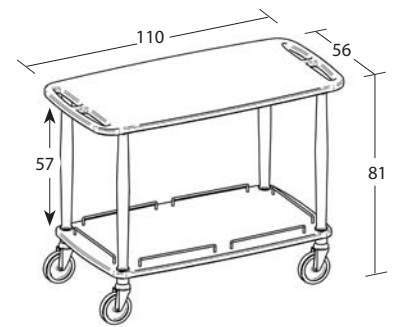
- Solid wood frame
- Veneered MDF shelves
- Push handles built in the top shelf
- Rails on lower shelves
- Swivel castors, ø 12.5cm



Cherry wood



Wenge

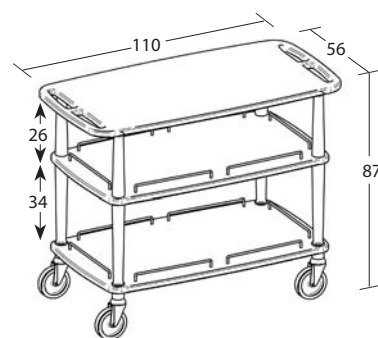


Item 6060 + S1180

| Item | Finish | Tiers | Shelf dim. (cm) | Max dim. (cm) |
|-------|-------------|-------|-----------------|---------------|
| 6060 | Cherry wood | 2 | 94.5x55 | 110x56x81 |
| 6060W | Wenge | 2 | 94.5x55 | 110x56x81 |
| 6062 | Cherry wood | 3 | 94.5x55 | 110x56x87 |
| 6062W | Wenge | 3 | 94.5x55 | 110x56x87 |

| Options | Description | For item |
|---------|---|----------|
| S1180 | 1 Set with 2 braked castors | All |
| SE180 | 2 Set with 4 resilient castors (2 with brake) | All |





Item 6062W + S1180

| Accessories | | Description | For item |
|-------------|---|--|---------------|
| A0096 | 3 | Sliding PVC cutlery drawer | All |
| A0035 | 4 | Sliding plate support, cherry wood stained | 6060 - 6062 |
| A0035W | 5 | Sliding plate support, wenge stained | 6060W - 6062W |
| R0822 | 6 | 12-bottle rack, chrome-plated steel wire | All |
| R0824 | 6 | 16-bottle rack, chrome-plated steel wire | All |



3



4



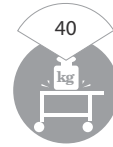
5



6

SERIES 6060

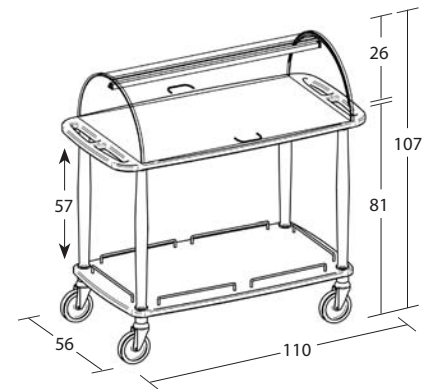
- Solid wood frame
- Veneered MDF shelves
- Push handles built in the top shelf
- Acrylic dome opening on both sides
- Rails on lower shelves
- Swivel castors, ø 12.5cm



Cherry wood



Wenge



Item 6060C + S1180

| Item | Finish | Tiers | Shelf dim. (cm) | Max dim. (cm) |
|--------|-------------|-------|-----------------|---------------|
| 6060C | Cherry wood | 2 | 94.5x55 | 110x56x107 |
| 6060CW | Wenge | 2 | 94.5x55 | 110x56x107 |
| 6062C | Cherry wood | 3 | 94.5x55 | 110x56x113 |
| 6062CW | Wenge | 3 | 94.5x55 | 110x56x113 |

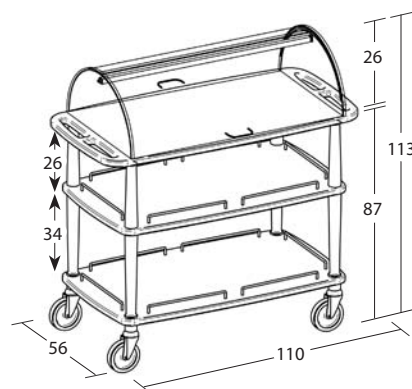
| Options | Description | For item |
|---------|-------------|----------|
|---------|-------------|----------|

| | | |
|-------|-----------------------------|-----|
| S1180 | 1 Set with 2 braked castors | All |
|-------|-----------------------------|-----|



| | | |
|-------|---|-----|
| SE180 | 2 Set with 4 resilient castors (2 with brake) | All |
|-------|---|-----|





Item 6062CW + S1180

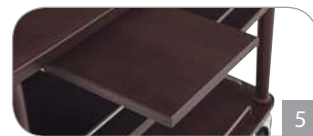
| Accessories | | Description | For item |
|-------------|---|--|-----------------|
| A0096 | 3 | Sliding PVC cutlery drawer | All |
| A0035 | 4 | Sliding plate support, cherry wood stained | 6060C - 6062C |
| A0035W | 5 | Sliding plate support, wenge stained | 6060CW - 6062CW |
| R0822 | 6 | 12-bottle rack, chrome-plated steel wire | All |
| R0824 | 6 | 16-bottle rack, chrome-plated steel wire | All |



3



4



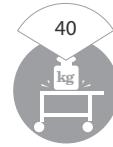
5



6

SERIES 6050

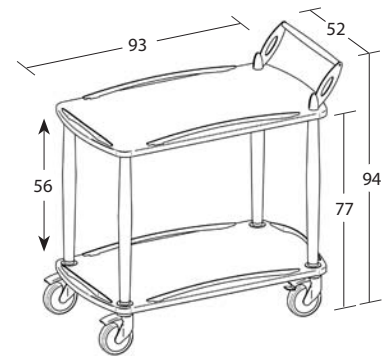
- Solid wood frame
- Plywood shelves
- Rails and details in aluminum painted metal protected by clear coat
- Swivel castors (2 with brake), ø 12.5cm



Cherry wood



Wenge

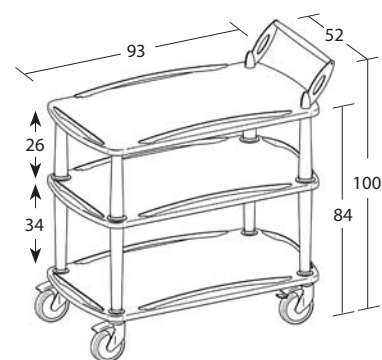


Item 6050

| Item | Finish | Tiers | Shelf dim. (cm) | Max dim. (cm) |
|-------|-------------|-------|-----------------|---------------|
| 6050 | Cherry wood | 2 | 93x52 | 97x52x94 |
| 6050W | Wenge | 2 | 93x52 | 97x52x94 |
| 6052 | Cherry wood | 3 | 93x52 | 97x52x100 |
| 6052W | Wenge | 3 | 93x52 | 97x52x100 |

| Options | Description | For item |
|---------|---|----------|
| SE170 | 1 Set with 4 resilient castors (2 with brake) | All |



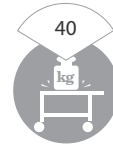


Item 6052W



SERIES 6100

- Solid wood frame
- Plywood shelves with edges and handles in solid wood
- Sliding plate support
- Swivel castors, ø 10cm



Walnut



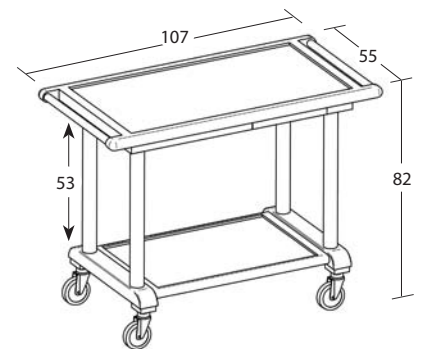
Wenge



Plate support, standard



Item 6100



28

| Item | Finish | Tiers | Max dim. (cm) |
|-------|--------|-------|---------------|
| 6100 | Walnut | 2 | 107x55x82 |
| 6100W | Wenge | 2 | 107x55x82 |
| 6102 | Walnut | 3 | 107x55x82 |
| 6102W | Wenge | 3 | 107x55x82 |

| Options | Description | For item |
|---------|---|----------|
| S1140 | 1 Set with 2 braked castors | All |
| SE140 | 2 Set with 4 resilient castors (2 with brake) | All |

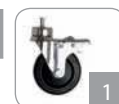
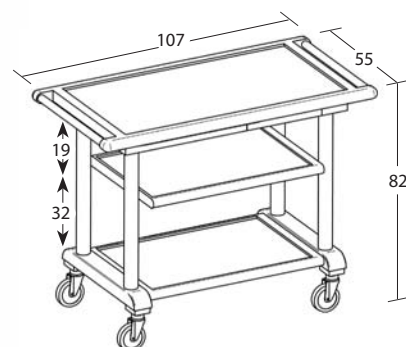


Plate support, standard



Item 6102W



Walnut



Wenge



Item 6100



Item 6102W

| Item |  | Finish | Description | Max dim. (cm) |
|--------|---|--------|---|---------------|
| 6100A | 1 | Walnut | Sweet/cheese display set with dome | 93x53x28 |
| 6100AW | - | Wenge | Sweet/cheese display set with dome | 93x53x28 |
| 6100B | 2 | Walnut | Set for appetizers - dome and trays | 93x53x35 |
| 6100BW | - | Wenge | Set for appetizers - dome and trays | 93x53x35 |
| 6100C | 5 | Walnut | Bottle holder with raised edge and rail | 93x53x28 |
| 6100CW | - | Wenge | Bottle holder with raised edge and rail | 93x53x28 |
| 6100E | 6 | Walnut | Top 13-bottle rack, wood | 88x47x20 |
| 6100EW | - | Wenge | Top 13-bottle rack, wood | 88x47x20 |
| 6100F | 6 | Walnut | Lower 9-bottle rack, wood | 66x47x20 |
| 6100FW | - | Wenge | Lower 9-bottle rack, wood | 66x47x20 |



Item 6100A
Sweet/cheese display set including a solid wood board with semi-cylindrical dome opening on both sides



Item 6100C
Bottle holder with raised edge and rail



Item 6100B
Set for appetizers including a solid wood shelf with semi-cylindrical dome opening on both sides, and 65mm-deep GN trays: no. 5 x 1/6 + no. 5 x 1/3



Item 6100E
Top 13-bottle rack, wood
Item 6100F
Lower 9-bottle rack, wood



Item 6100G
Set for appetizers, sweet and cheeses - refrigeration available -, including a solid wood shelf with semi-cylindrical dome opening on both sides, grid and housing for eutectic plates (Item 6100H)



Item R0822
Lower 12-bottle rack, chrome-plated steel wire
Item R0824
Top 16-bottle rack, chrome-plated steel wire

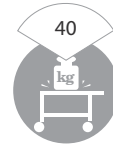


Item 6100H
Set of 16 eutectic plates suitable for Item 6100G

| Item | | Finish | Description | Max dim. (cm) |
|--------|---|--------|----------------------------------|---------------|
| 6100G | 3 | Walnut | Set for cold appetizers | 93x53x35 |
| 6100GW | - | Wenge | Set for cold appetizers | 93x53x35 |
| 6100H | 4 | - | Set with 16 eutectic plates | - |
| R0822 | 7 | - | Lower 12-bottle rack, steel wire | 70x40x22 |
| R0824 | 7 | - | Top 16-bottle rack, steel wire | 90x40x22 |

SERIES 6100

- Solid wood frame
- Plywood shelves with edges and handles in solid wood
- Acrylic semi-cylindrical dome opening on both sides
- Sliding plate support
- Swivel castors, ø 10cm



Walnut



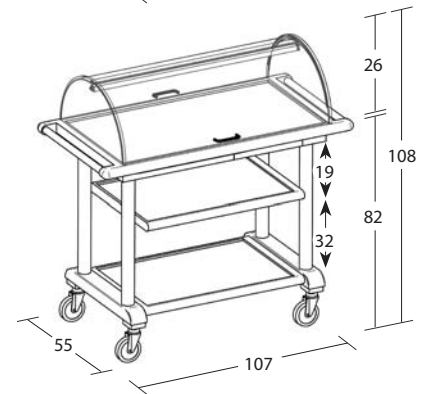
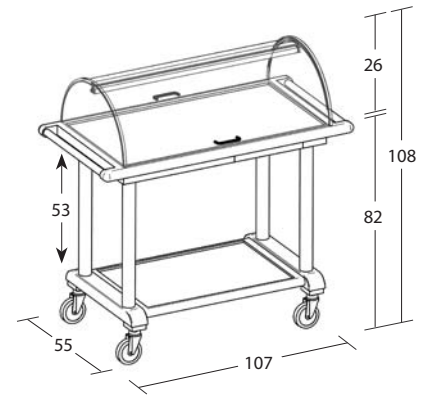
Wenge



Plate support, standard



Item 6200



| Item | Finish | Tiers | Max dim. (cm) |
|-------|--------|-------|---------------|
| 6200 | Walnut | 2 | 107x55x108 |
| 6200W | Wenge | 2 | 107x55x108 |
| 6202 | Walnut | 3 | 107x55x108 |
| 6202W | Wenge | 3 | 107x55x108 |

| Options | Description | For item |
|---------|---|----------|
| S1140 | 1 Set with 2 braked castors | All |
| SE140 | 2 Set with 4 resilient castors (2 with brake) | All |



- Solid wood frame
- Round plywood shelves
- Sliding glass support
- Swivel castors, ø 8cm



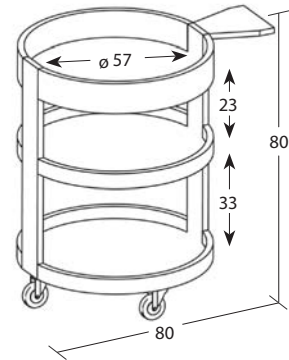
Walnut



Wenge



Item 6310



| Item | Finish | Tiers | Max dim. (cm) |
|-------|--------|-------|---------------|
| 6310 | Walnut | 3 | ø 59x80 |
| 6310W | Wenge | 3 | ø 59x80 |



SERIES 6800 - 70x45cm

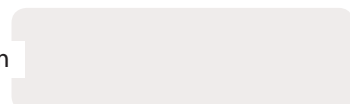
- Square section solid wood legs
- MDF shelves
- Matt lacquer finish
- Push handle built in the top shelf
- Sliding plate support (depending on model)
- Top shelf with roll-top dome opening on both sides, and one 1/1GN 20mm-deep stainless steel tray (depending on model)
- Swivel castors, ø 9.5cm, 2 with brake



Charcoal



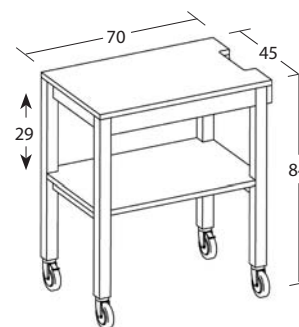
Cream



Dove grey



Item 6830A



34

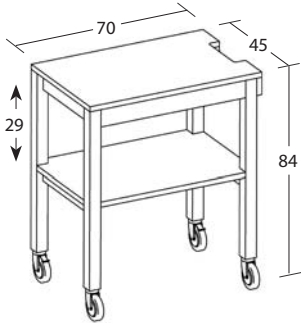
| Item | Lacquer finish | Sliding plate support | Dome | Max dim. (cm) |
|-------|----------------|-----------------------|------------------|---------------|
| 6830A | Charcoal | No | No | 70x45x84 |
| 6830P | Cream | No | No | 70x45x84 |
| 6830T | Dove grey | No | No | 70x45x84 |
| 6832A | Charcoal | Yes | No | 70x45x84 |
| 6832P | Cream | Yes | No | 70x45x84 |
| 6832T | Dove grey | Yes | No | 70x45x84 |
| 6834A | Charcoal | Yes | Roll-top, 1/1 GN | 70x45x107 |
| 6834P | Cream | Yes | Roll-top, 1/1 GN | 70x45x107 |
| 6834T | Dove grey | Yes | Roll-top, 1/1 GN | 70x45x107 |

| Options | Description | For item |
|---------|---|----------|
| SE120 | 1 Set with 4 resilient castors (2 with brake) | All |

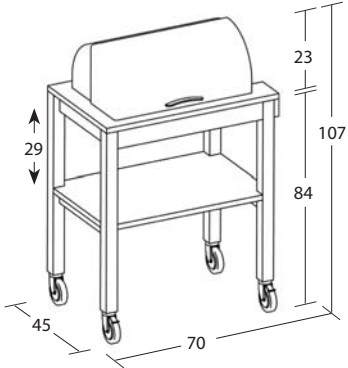




Item 6832A



Item 6834A



SERIES 6800 - 100x45cm

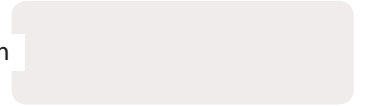
- Square section solid wood legs
- MDF shelves
- Matt lacquer finish
- Push handle built in the top shelf
- Sliding plate support (depending on model)
- Top shelf with roll-top dome opening on both sides, and one 1/1GN 20mm-deep stainless steel tray (depending on model)
- Swivel castors, ø 9.5cm, 2 with brake



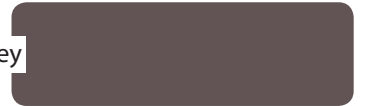
Charcoal



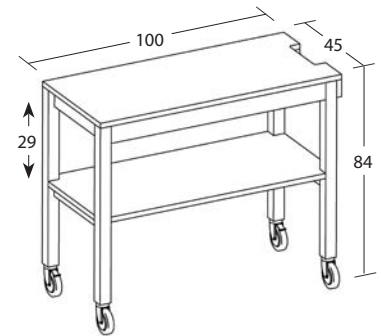
Cream



Dove grey



Item 6840A



36

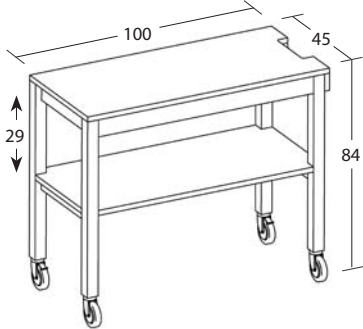
| Item | Lacquer finish | Sliding plate support | Dome | Max dim. (cm) |
|-------|----------------|-----------------------|------------------|---------------|
| 6840A | Charcoal | No | No | 100x45x84 |
| 6840P | Cream | No | No | 100x45x84 |
| 6840T | Dove grey | No | No | 100x45x84 |
| 6842A | Charcoal | Yes | No | 100x45x84 |
| 6842P | Cream | Yes | No | 100x45x84 |
| 6842T | Dove grey | Yes | No | 100x45x84 |
| 6844A | Charcoal | Yes | Roll-top, 1/1 GN | 100x45x107 |
| 6844P | Cream | Yes | Roll-top, 1/1 GN | 100x45x107 |
| 6844T | Dove grey | Yes | Roll-top, 1/1 GN | 100x45x107 |

| Options | Description | For item |
|---------|---|----------|
| SE120 | 1 Set with 4 resilient castors (2 with brake) | All |

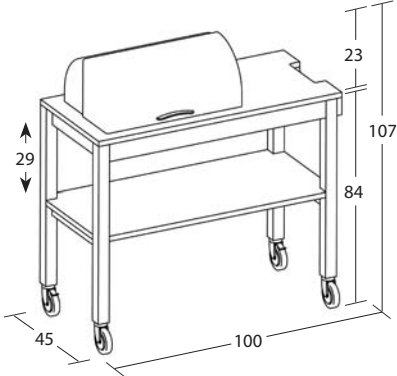




Item 6842A



Item 6844A



SERIES 6800 - 100x56cm

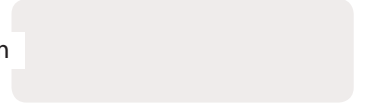
- Square section solid wood legs
- MDF shelves
- Matt lacquer finish
- Push handle built in the top shelf
- Sliding plate support (depending on model)
- Top shelf with acrylic semi-cylindrical dome opening on both sides (depending on model)
- Swivel castors, \varnothing 9.5cm, 2 with brake



Charcoal



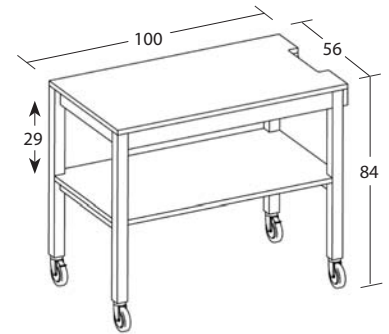
Cream



Dove grey



Item 6850A



38

| Item | Lacquer finish | Sliding plate support | Dome | Max dim. (cm) |
|-------|----------------|-----------------------|------------------|---------------|
| 6850A | Charcoal | No | No | 100x56x84 |
| 6850P | Cream | No | No | 100x56x84 |
| 6850T | Dove grey | No | No | 100x56x84 |
| 6852A | Charcoal | Yes | No | 100x56x84 |
| 6852P | Cream | Yes | No | 100x56x84 |
| 6852T | Dove grey | Yes | No | 100x56x84 |
| 6854A | Charcoal | Yes | Semi-cylindrical | 100x56x110 |
| 6854P | Cream | Yes | Semi-cylindrical | 100x56x110 |
| 6854T | Dove grey | Yes | Semi-cylindrical | 100x56x110 |

Options



Description

For item

SE120

1

Set with 4 resilient castors (2 with brake)

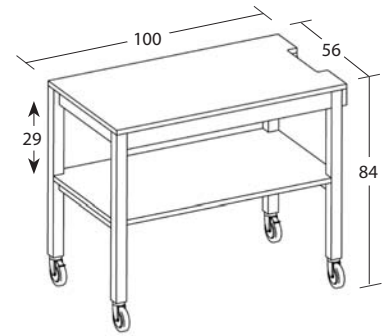
All



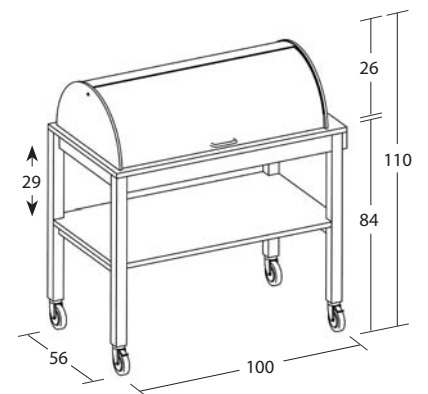
1



Item 6852A

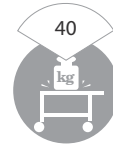


Item 6854A



SERIES 65 - 70x55cm

- Square section solid wood legs
- Removable veneered wood top shelf with solid wood frame
- Veneered wood lower shelves
- Push handles
- Sliding plate support
- Hooded swivel castors, ø 10cm, 2 with brake



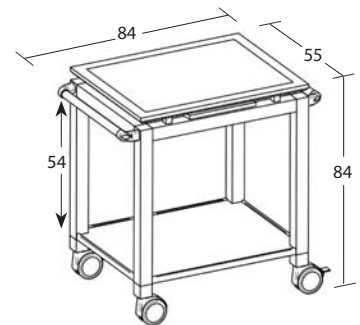
Oak



Wenge



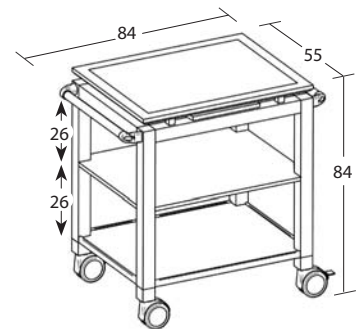
Item 65-07002



40



Item 65-07006

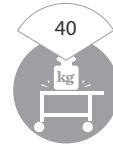


| Item | Finish | Tiers | Shelf dim. (cm) | Max dim. (cm) |
|-----------|--------|-------|-----------------|---------------|
| 65-07002 | Wenge | 2 | 70x55 | 84x55x84 |
| 65-07002R | Oak | 2 | 70x55 | 84x55x84 |
| 65-07006 | Wenge | 3 | 70x55 | 84x55x84 |
| 65-07006R | Oak | 3 | 70x55 | 84x55x84 |

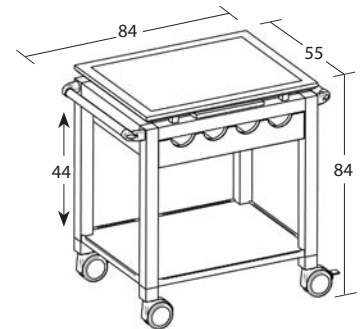
| Options | Description | For item |
|---------|---|----------|
| SE160 | 1 Set with 4 resilient castors (2 with brake) | All |



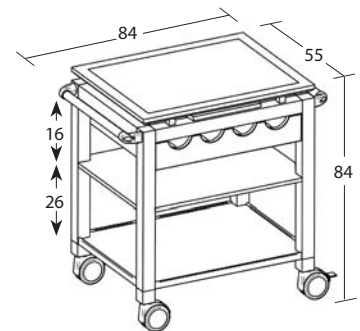
- Square section solid wood legs
- Removable veneered wood top shelf with solid wood frame
- Veneered wood lower shelves
- Push handles
- Sliding plate support
- 4-compartment cutlery drawer on runners
- Hooded swivel castors, ø 10cm, 2 with brake



Item 65-07004



Item 65-07008



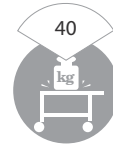
| Item | Finish | Tiers | Shelf dim. (cm) | Max dim. (cm) |
|-----------|--------|-------|-----------------|---------------|
| 65-07004 | Wenge | 2 | 70x55 | 84x55x84 |
| 65-07004R | Oak | 2 | 70x55 | 84x55x84 |
| 65-07008 | Wenge | 3 | 70x55 | 84x55x84 |
| 65-07008R | Oak | 3 | 70x55 | 84x55x84 |

| Options | Description | For item |
|---------|---|----------|
| SE160 | 1 Set with 4 resilient castors (2 with brake) | All |



SERIES 65 - 70x55cm

- Square section solid wood legs
- Top shelf in stardust marble finished with anti-stain treatment and solid wood frame
- Veneered wood lower shelves
- Push handles
- Sliding plate support
- Hooded swivel castors, ø 10cm, 2 with brake



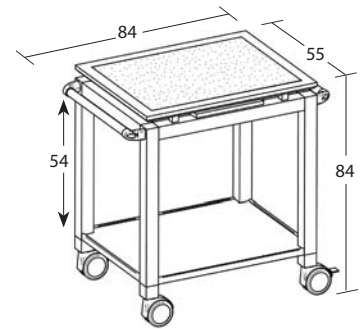
Oak



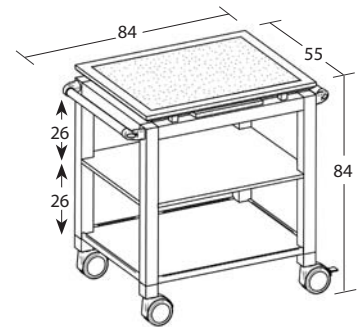
Wenge



Item 65-07012



Item 65-07016



| Item | Finish | Tiers | Shelf dim. (cm) | Max dim. (cm) |
|-----------|--------|-------|-----------------|---------------|
| 65-07012 | Wenge | 2 | 70x55 | 84x55x84 |
| 65-07012R | Oak | 2 | 70x55 | 84x55x84 |
| 65-07016 | Wenge | 3 | 70x55 | 84x55x84 |
| 65-07016R | Oak | 3 | 70x55 | 84x55x84 |

| Options | Description | For item |
|---------|---|----------|
| SE160 | 1 Set with 4 resilient castors (2 with brake) | All |



- Square section solid wood legs
- Top shelf in stardust marble finished with anti-stain treatment and solid wood frame
- Veneered wood lower shelves
- Push handles
- Sliding plate support
- 4-compartment cutlery drawer on runners
- Hooded swivel castors, ø 10cm, 2 with brake



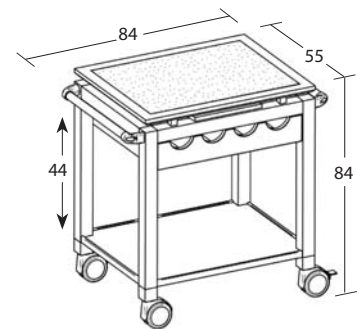
Oak



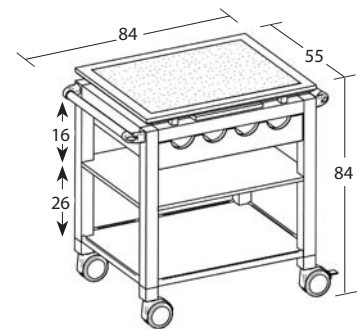
Wenge



Item 65-07014



Item 65-07018



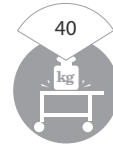
| Item | Finish | Tiers | Shelf dim. (cm) | Max dim. (cm) |
|-----------|--------|-------|-----------------|---------------|
| 65-07014 | Wenge | 2 | 70x55 | 84x55x84 |
| 65-07014R | Oak | 2 | 70x55 | 84x55x84 |
| 65-07018 | Wenge | 3 | 70x55 | 84x55x84 |
| 65-07018R | Oak | 3 | 70x55 | 84x55x84 |

| Options | Description | For item |
|---------|---|----------|
| SE160 | 1 Set with 4 resilient castors (2 with brake) | All |



SERIES 65 - 70x55cm

- Square section solid wood legs
- Removable veneered wood top shelf with solid wood frame and acrylic semi-cylindrical dome opening on both sides
- Veneered wood lower shelves
- Push handles
- Sliding plate support
- 4-compartment cutlery drawer on runners
- Hooded swivel castors, ø 10cm, 2 with brake



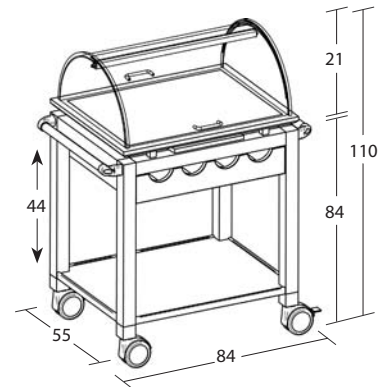
Oak



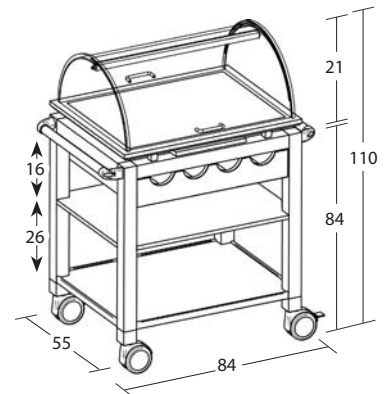
Wenge



Item 65-07022



Item 65-07024



| Item | Finish | Tiers | Shelf dim. (cm) | Max dim. (cm) |
|-----------|--------|-------|-----------------|---------------|
| 65-07022 | Wenge | 2 | 70x55 | 84x55x110 |
| 65-07022R | Oak | 2 | 70x55 | 84x55x110 |
| 65-07024 | Wenge | 3 | 70x55 | 84x55x110 |
| 65-07024R | Oak | 3 | 70x55 | 84x55x110 |

| Options | Description | For item |
|---------|---|----------|
| SE160 | 1 Set with 4 resilient castors (2 with brake) | All |



- Square section solid wood legs
- Top shelf in stardust marble finished with anti-stain treatment and solid wood frame, with acrylic semi-cylindrical dome opening on both sides
- Veneered wood lower shelves
- Push handles
- Sliding plate support
- 4-compartment cutlery drawer on runners
- Hooded swivel castors, ø 10cm, 2 with brake



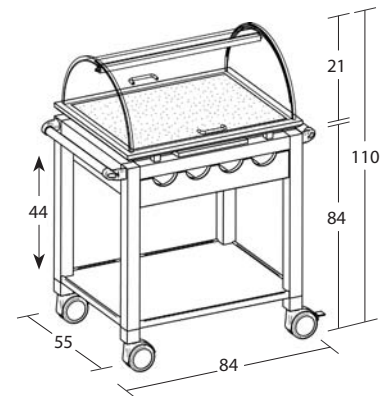
Oak



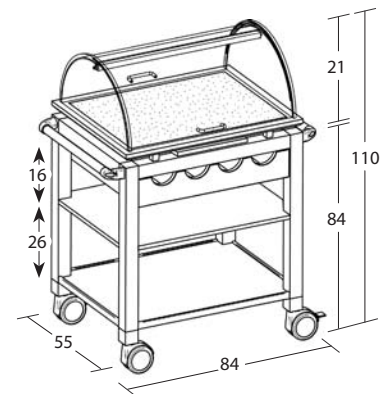
Wenge



Item 65-07026



Item 65-07028



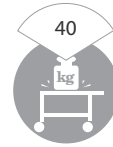
| Item | Finish | Tiers | Shelf dim. (cm) | Max dim. (cm) |
|-----------|--------|-------|-----------------|---------------|
| 65-07026 | Wenge | 2 | 70x55 | 84x55x110 |
| 65-07026R | Oak | 2 | 70x55 | 84x55x110 |
| 65-07028 | Wenge | 3 | 70x55 | 84x55x110 |
| 65-07028R | Oak | 3 | 70x55 | 84x55x110 |

| Options | Description | For item |
|---------|---|----------|
| SE160 | 1 Set with 4 resilient castors (2 with brake) | All |

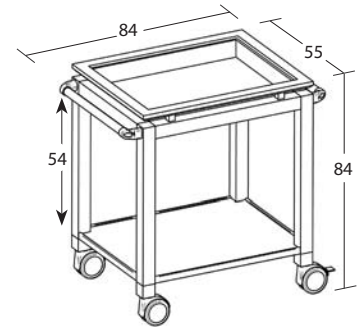


SERIES 65 - 70x55cm

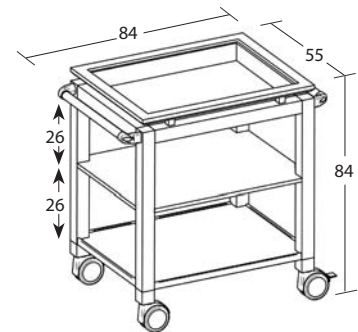
- Square section solid wood legs
- Top shelf with solid wood frame, including a 50mm-deep well and a removable bottle rack
- Veneered wood lower shelves
- Push handles
- Hooded swivel castors, ø 10cm, 2 with brake



Item 65-07032



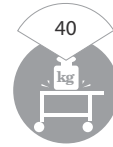
Item 65-07034



| Item | Finish | Tiers | Shelf dim. (cm) | Max dim. (cm) |
|-----------|--------|-------|-----------------|---------------|
| 65-07032 | Wenge | 2 | 70x55 | 84x55x84 |
| 65-07032R | Oak | 2 | 70x55 | 84x55x84 |
| 65-07034 | Wenge | 3 | 70x55 | 84x55x84 |
| 65-07034R | Oak | 3 | 70x55 | 84x55x84 |

| Options | Description | For item |
|---------|---|----------|
| SE160 | 1 Set with 4 resilient castors (2 with brake) | All |

- Square section solid wood legs
- Top shelf including a watertight well with eutectic plates for cooling, stainless steel display board with solid wood frame and acrylic semi-cylindrical dome opening on both sides
- Veneered wood lower shelves
- Push handles
- 4-compartment cutlery drawer on runners
- Hooded swivel castors, ø 10cm, 2 with brake



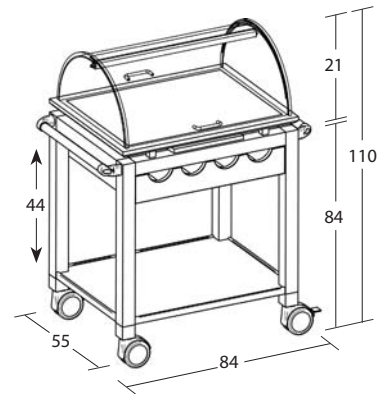
Oak



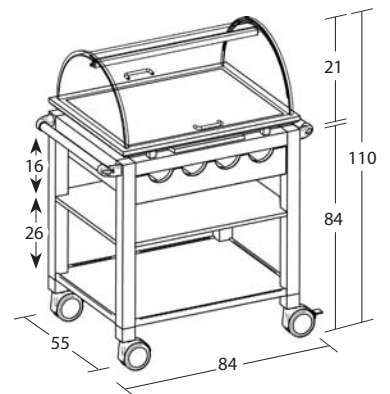
Wenge



Item 65-07036



Item 65-07038



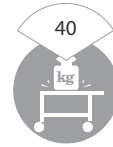
| Item | Finish | Tiers | Shelf dim. (cm) | Max dim. (cm) |
|-----------|--------|-------|-----------------|---------------|
| 65-07036 | Wenge | 2 | 70x55 | 84x55x110 |
| 65-07036R | Oak | 2 | 70x55 | 84x55x110 |
| 65-07038 | Wenge | 3 | 70x55 | 84x55x110 |
| 65-07038R | Oak | 3 | 70x55 | 84x55x110 |

| Options | Description | For item |
|---------|---|----------|
| SE160 | 1 Set with 4 resilient castors (2 with brake) | All |

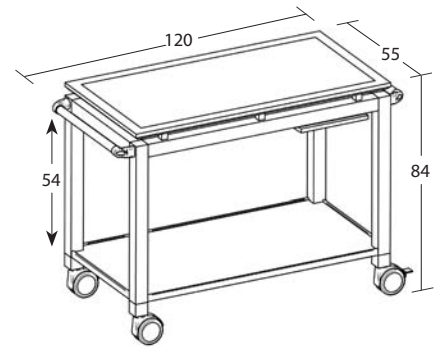


SERIES 65 - 105x55cm

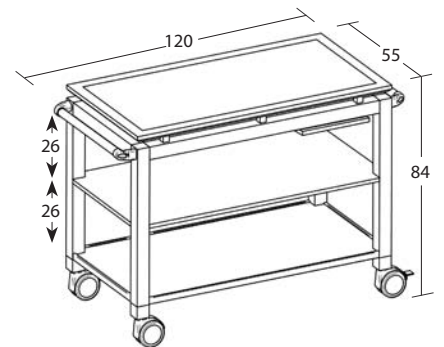
- Square section solid wood legs
- Removable veneered wood top shelf with solid wood frame
- Veneered wood lower shelves
- Push handles
- Sliding plate support
- Hooded swivel castors, ø 10cm, 2 with brake



Item 65-10502



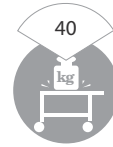
Item 65-10506



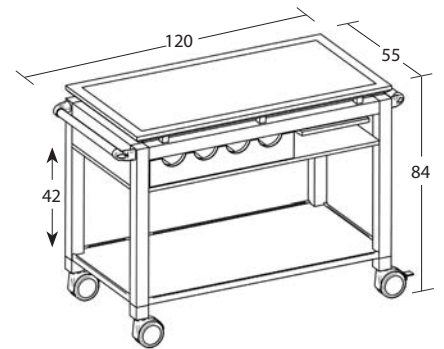
| Item | Finish | Tiers | Shelf dim. (cm) | Max dim. (cm) |
|-----------|--------|-------|-----------------|---------------|
| 65-10502 | Wenge | 2 | 105x55 | 120x55x84 |
| 65-10502R | Oak | 2 | 105x55 | 120x55x84 |
| 65-10506 | Wenge | 3 | 105x55 | 120x55x84 |
| 65-10506R | Oak | 3 | 105x55 | 120x55x84 |

| Options | Description | For item |
|---------|---|----------|
| SE160 | 1 Set with 4 resilient castors (2 with brake) | All |

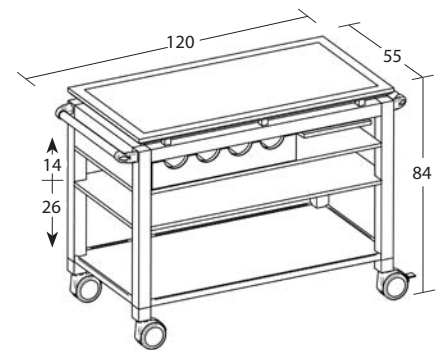
- Square section solid wood legs
- Removable veneered wood top shelf with solid wood frame
- Veneered wood lower shelves
- Push handles
- Sliding plate support
- 4-compartment cutlery drawer on runners
- Hooded swivel castors, ø 10cm, 2 with brake



Item 65-10504



Item 65-10508



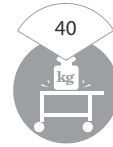
| Item | Finish | Tiers | Shelf dim. (cm) | Max dim. (cm) |
|-----------|--------|-------|-----------------|---------------|
| 65-10504 | Wenge | 2 | 105x55 | 120x55x84 |
| 65-10504R | Oak | 2 | 105x55 | 120x55x84 |
| 65-10508 | Wenge | 3 | 105x55 | 120x55x84 |
| 65-10508R | Oak | 3 | 105x55 | 120x55x84 |

| Options | Description | For item |
|---------|---|----------|
| SE160 | 1 Set with 4 resilient castors (2 with brake) | All |

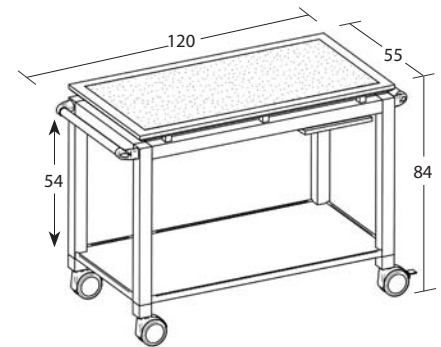


SERIES 65 - 105x55cm

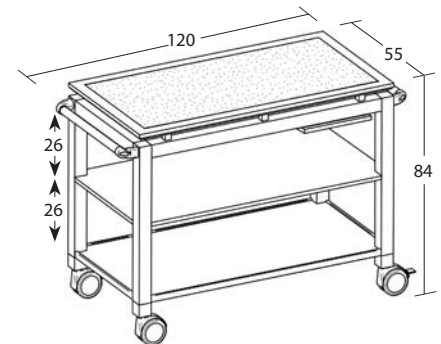
- Square section solid wood legs
- Top shelf in stardust marble finished with anti-stain treatment and solid wood frame
- Veneered wood lower shelves
- Push handles
- Sliding plate support
- Hooded swivel castors, ø 10cm, 2 with brake



Item 65-10512



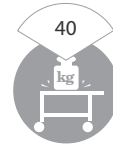
Item 65-10516



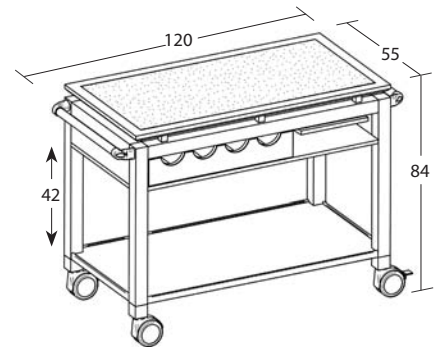
| Item | Finish | Tiers | Shelf dim. (cm) | Max dim. (cm) |
|-----------|--------|-------|-----------------|---------------|
| 65-10512 | Wenge | 2 | 105x55 | 120x55x84 |
| 65-10512R | Oak | 2 | 105x55 | 120x55x84 |
| 65-10516 | Wenge | 3 | 105x55 | 120x55x84 |
| 65-10516R | Oak | 3 | 105x55 | 120x55x84 |

| Options | Description | For item |
|---------|---|----------|
| SE160 | 1 Set with 4 resilient castors (2 with brake) | All |

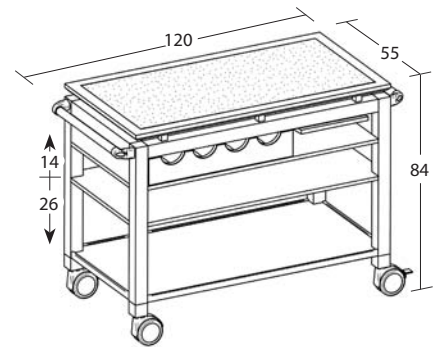
- Square section solid wood legs
- Top shelf in stardust marble finished with anti-stain treatment and solid wood frame
- Veneered wood lower shelves
- Push handles
- Sliding plate support
- 4-compartment cutlery drawer on runners
- Hooded swivel castors, ø 10cm, 2 with brake



Item 65-10514



Item 65-10518

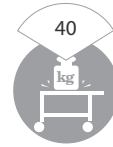


| Item | Finish | Tiers | Shelf dim. (cm) | Max dim. (cm) |
|-----------|--------|-------|-----------------|---------------|
| 65-10514 | Wenge | 2 | 105x55 | 120x55x84 |
| 65-10514R | Oak | 2 | 105x55 | 120x55x84 |
| 65-10518 | Wenge | 3 | 105x55 | 120x55x84 |
| 65-10518R | Oak | 3 | 105x55 | 120x55x84 |

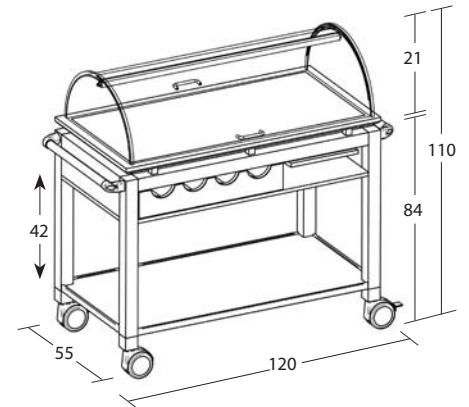
| Options | Description | For item |
|---------|---|----------|
| SE160 | 1 Set with 4 resilient castors (2 with brake) | All |

SERIES 65 - 105x55cm

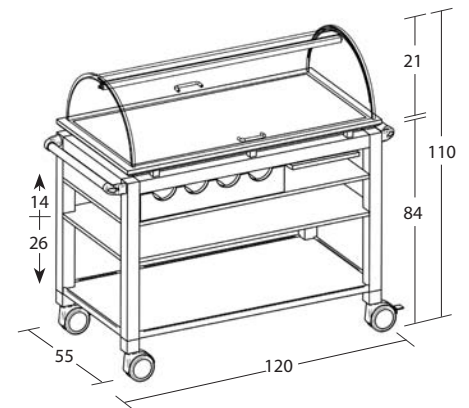
- Square section solid wood legs
- Removable veneered wood top shelf with solid wood frame and acrylic semi-cylindrical dome opening on both sides
- Veneered wood lower shelves
- Push handles
- Sliding plate support
- 4-compartment cutlery drawer on runners
- Hooded swivel castors, \varnothing 10cm, 2 with brake




Item 65-10522



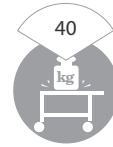
Item 65-10524



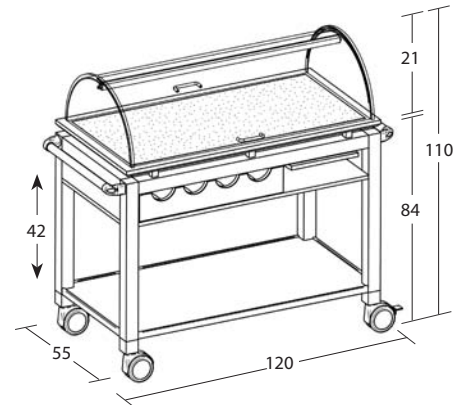
| Item | Finish | Tiers | Shelf dim. (cm) | Max dim. (cm) |
|-----------|--------|-------|-----------------|---------------|
| 65-10522 | Wenge | 2 | 105x55 | 120x55x110 |
| 65-10522R | Oak | 2 | 105x55 | 120x55x110 |
| 65-10524 | Wenge | 3 | 105x55 | 120x55x110 |
| 65-10524R | Oak | 3 | 105x55 | 120x55x110 |

| Options | Description | For item |
|---------|---|---|
| SE160 | 1 Set with 4 resilient castors (2 with brake) | All  |

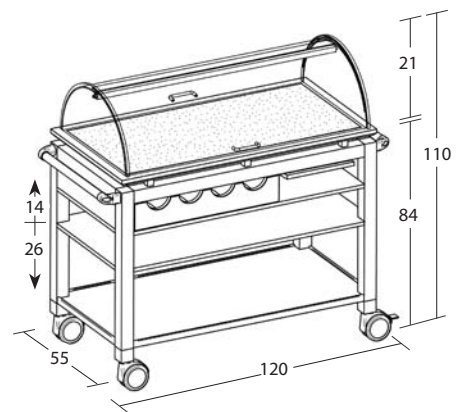
- Square section solid wood legs
- Top shelf in stardust marble finished with anti-stain treatment with solid wood frame and acrylic semi-cylindrical dome opening on both sides
- Veneered wood lower shelves
- Push handles
- Sliding plate support
- 4-compartment cutlery drawer on runners
- Hooded swivel castors, ø 10cm, 2 with brake



Item 65-10526



Item 65-10528



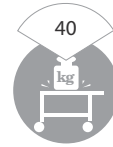
| Item | Finish | Tiers | Shelf dim. (cm) | Max dim. (cm) |
|-----------|--------|-------|-----------------|---------------|
| 65-10526 | Wenge | 2 | 105x55 | 120x55x110 |
| 65-10526R | Oak | 2 | 105x55 | 120x55x110 |
| 65-10528 | Wenge | 3 | 105x55 | 120x55x110 |
| 65-10528R | Oak | 3 | 105x55 | 120x55x110 |

| Options | Description | For item |
|---------|---|----------|
| SE160 | 1 Set with 4 resilient castors (2 with brake) | All |

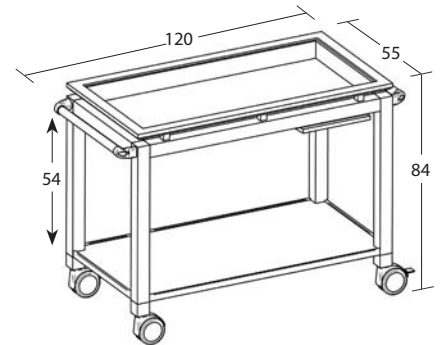


SERIES 65 - 105x55cm

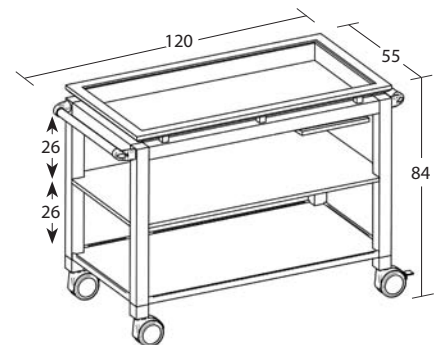
- Square section solid wood legs
- Top shelf with solid wood frame, including a 50mm-deep well and a removable bottle rack
- Veneered wood lower shelves
- Push handles
- Hooded swivel castors, ø 10cm, 2 with brake



Item 65-10532



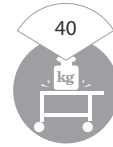
Item 65-10534



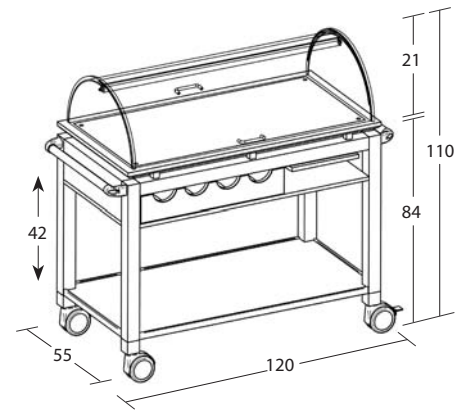
| Item | Finish | Tiers | Shelf dim. (cm) | Max dim. (cm) |
|-----------|--------|-------|-----------------|---------------|
| 65-10532 | Wenge | 2 | 105x55 | 120x55x84 |
| 65-10532R | Oak | 2 | 105x55 | 120x55x84 |
| 65-10534 | Wenge | 3 | 105x55 | 120x55x84 |
| 65-10534R | Oak | 3 | 105x55 | 120x55x84 |

| Options | Description | For item |
|---------|---|----------|
| SE160 | 1 Set with 4 resilient castors (2 with brake) | All |

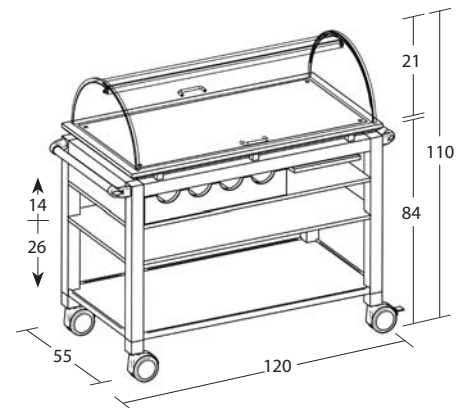
- Square section solid wood legs
- Top shelf including a watertight well with eutectic plates for cooling, stainless steel display board with solid wood frame and acrylic semi-cylindrical dome opening on both sides
- Veneered wood lower shelves
- Push handles
- 4-compartment cutlery drawer on runners
- Hooded swivel castors, ø 10cm, 2 with brake



Item 65-10536



Item 65-10538



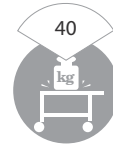
55

| Item | Finish | Tiers | Shelf dim. (cm) | Max dim. (cm) |
|-----------|--------|-------|-----------------|---------------|
| 65-10536 | Wenge | 2 | 105x55 | 120x55x110 |
| 65-10536R | Oak | 2 | 105x55 | 120x55x110 |
| 65-10538 | Wenge | 3 | 105x55 | 120x55x110 |
| 65-10538R | Oak | 3 | 105x55 | 120x55x110 |

| Options | Description | For item |
|---------|---|----------|
| SE160 | 1 Set with 4 resilient castors (2 with brake) | All |

SERIES 65 - 140x55cm

- Square section solid wood legs
- Top shelf fitted with various accessories depending on models
- Lower shelves and back panel in veneered wood
- Push handles
- Two sliding plate supports
- 4-compartment cutlery drawer on runners
- Hooded swivel castors, ø 10cm, 2 with brake



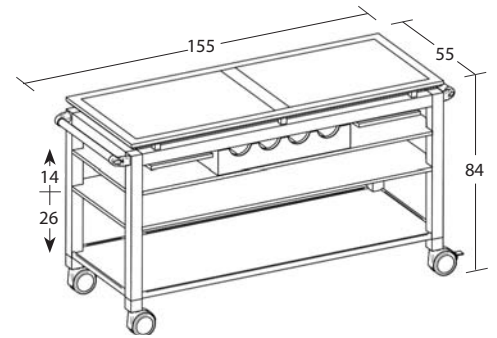
Oak



Wenge



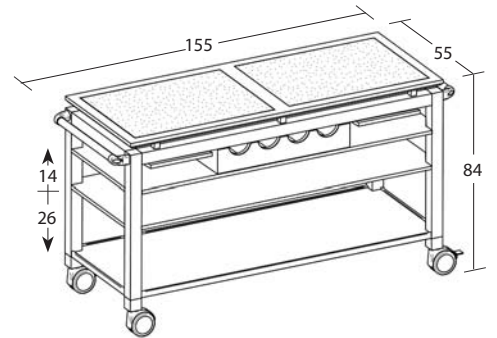
Item 65-14002



- Top shelf with solid wood frame consisting of two removable veneered wood shelves



Item 65-14006



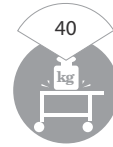
- Top shelf with solid wood frame consisting of two stardust marble shelves finished with anti-stain treatment

| Item | Finish | Top shelf | Shelf dim. (cm) | Max dim. (cm) |
|-----------|--------|-----------|-----------------|---------------|
| 65-14002 | Wenge | Wood | 140x55 | 155x55x84 |
| 65-14002R | Oak | Wood | 140x55 | 155x55x84 |
| 65-14006 | Wenge | Marble | 140x55 | 155x55x84 |
| 65-14006R | Oak | Marble | 140x55 | 155x55x84 |

| Options | Description | For item |
|---------|---|----------|
| SE160 | 1 Set with 4 resilient castors (2 with brake) | All |



- Square section solid wood legs
- Top shelf fitted with various accessories depending on models
- Lower shelves and back panel in veneered wood
- Push handles
- Two sliding plate supports
- 4-compartment cutlery drawer on runners
- Hooded swivel castors, ø 10cm, 2 with brake



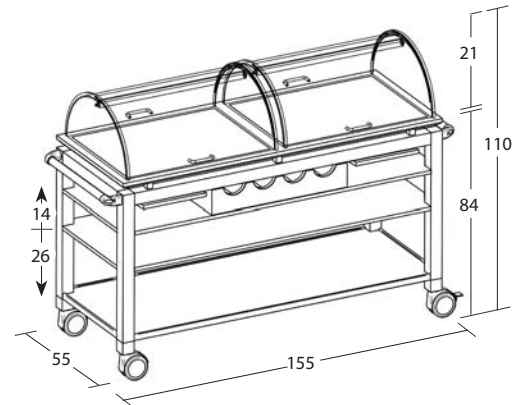
Oak



Wenge



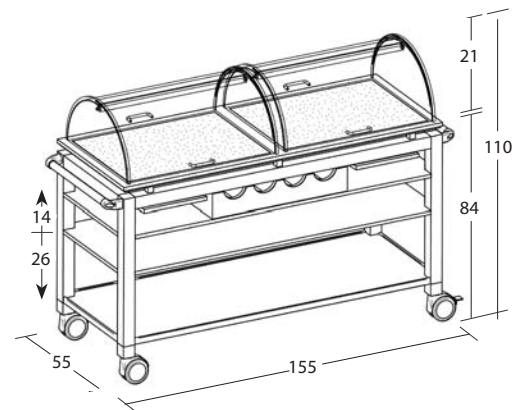
Item 65-14004



- Top shelf with solid wood frame consisting of two removable veneered wood shelves and two acrylic domes opening on both sides



Item 65-14008



- Top shelf with solid wood frame consisting of two stardust marble shelves finished with anti-stain treatment and two acrylic domes opening on both sides

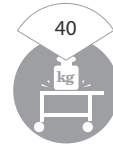
| Item | Finish | Top shelf | Shelf dim. (cm) | Max dim. (cm) |
|-----------|--------|-----------|-----------------|---------------|
| 65-14004 | Wenge | Wood | 140x55 | 155x55x110 |
| 65-14004R | Oak | Wood | 140x55 | 155x55x110 |
| 65-14008 | Wenge | Marble | 140x55 | 155x55x110 |
| 65-14008R | Oak | Marble | 140x55 | 155x55x110 |

| Options | Description | For item |
|---------|---|----------|
| SE160 | 1 Set with 4 resilient castors (2 with brake) | All |



SERIES 65 - 140x55cm

- Square section solid wood legs
- Top shelf fitted with various accessories depending on models
- Lower shelves and back panel in veneered wood
- Push handles
- Two sliding plate supports
- 4-compartment cutlery drawer on runners
- Hooded swivel castors, ø 10cm, 2 with brake



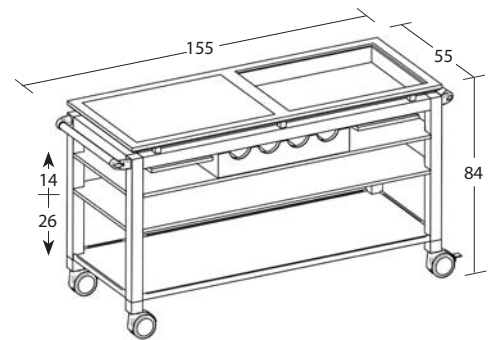
Oak



Wenge



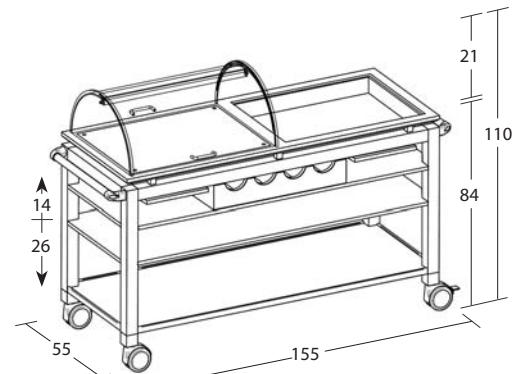
Item 65-14010



- Top shelf with solid wood frame, consisting of a removable veneered wood shelf and a 50mm-deep well with removable stainless steel bottle rack



Item 65-14014



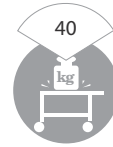
- Top shelf with solid wood frame, consisting of a watertight well with eutectic plates for cooling, a display board in stainless steel with acrylic dome, and a 50mm-deep well with removable stainless steel bottle rack

| Item | Finish | Shelf dim. (cm) | Max dim. (cm) |
|-----------|--------|-----------------|---------------|
| 65-14010 | Wenge | 140x55 | 155x55x84 |
| 65-14010R | Oak | 140x55 | 155x55x84 |
| 65-14014 | Wenge | 140x55 | 155x55x110 |
| 65-14014R | Oak | 140x55 | 155x55x110 |

| Options | Description | For item |
|---------|---|----------|
| SE160 | 1 Set with 4 resilient castors (2 with brake) | All |



- Square section solid wood legs
- Top shelf fitted with various accessories depending on models
- Lower shelves and back panel in veneered wood
- Push handles
- Two sliding plate supports
- 4-compartment cutlery drawer on runners
- Hooded swivel castors, ø 10cm, 2 with brake



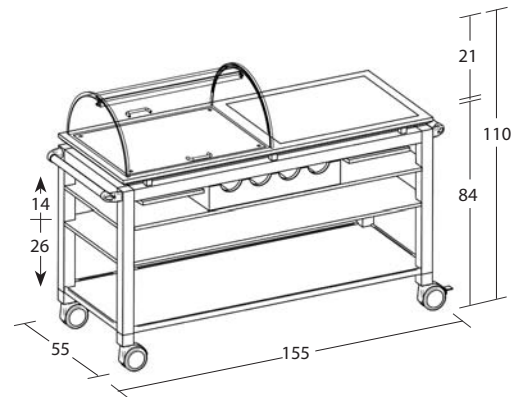
Oak



Wenge



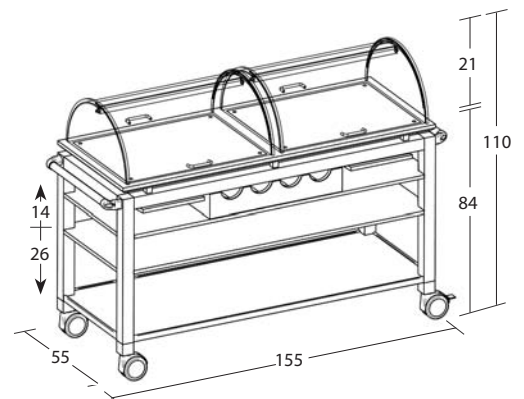
Item 65-14012



- Top shelf with solid wood frame, consisting of a watertight well with eutectic plates for cooling, a display board in stainless steel with acrylic dome, and a removable veneered wood shelf



Item 65-14016



- Top shelf with solid wood frame, consisting of two watertight wells with eutectic plates for cooling and two display boards in stainless steel with acrylic domes

| Item | Finish | Shelf dim. (cm) | Max dim. (cm) |
|-----------|--------|-----------------|---------------|
| 65-14012 | Wenge | 140x55 | 155x55x110 |
| 65-14012R | Oak | 140x55 | 155x55x110 |
| 65-14016 | Wenge | 140x55 | 155x55x110 |
| 65-14016R | Oak | 140x55 | 155x55x110 |

| Options | Description | For item |
|---------|---|----------|
| SE160 | 1 Set with 4 resilient castors (2 with brake) | All |



FLAMBÉ TROLLEYS

- Melamine-faced frame
- Cutlery drawer
- LPG cylinder housing door
- Stainless steel hob with flame failure safety device conform to EC standards
- Side condiment shelf
- Chrome-plated steel bottle holder
- Swivel castors (2 with brake), ø 12.5cm

Note: LPG cylinder and gas pressure regulator not included



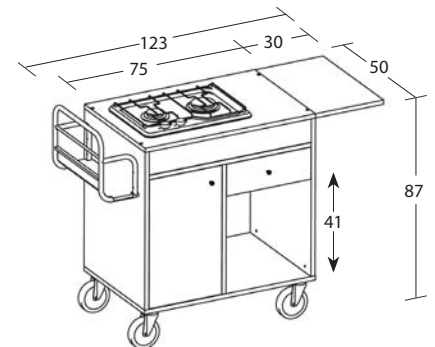
Cherry wood



Wenge



Item 1160



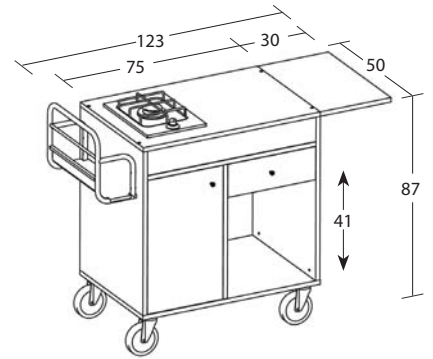
60

| Item | Finish | Gas burners | Max dim. - open (cm) | Max dim. - closed (cm) |
|--------|-------------|-------------|----------------------|------------------------|
| 1160 | Cherry wood | twin | 123x50x87 | 95x50x87 |
| 1160W | Wenge | twin | 123x50x87 | 95x50x87 |
| 1160S | Cherry wood | single | 123x50x87 | 95x50x87 |
| 1160SW | Wenge | single | 123x50x87 | 95x50x87 |
| 1160D | Cherry wood | double | 123x50x87 | 95x50x87 |
| 1160DW | Wenge | double | 123x50x87 | 95x50x87 |

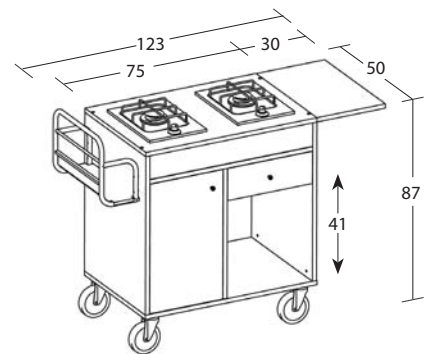
| Accessories | Description | For item |
|-------------|--|-------------------------------|
| A80 | 1 Gas pressure regulator (LPG 30 mbar), single, c/w fittings | 1160S - 1160SW - 1160 - 1160W |
| A82 | 2 Gas pressure regulator (LPG 30 mbar), double, c/w fittings | 1160D - 1160DW |



Item 1160S



Item 1160D



Item A80
Single pressure regulator

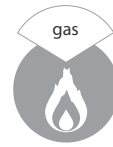


Item A82
Double pressure regulator

FLAMBÉ TROLLEYS

- Solid wood frame
- Cutlery drawers
- LPG cylinder housing door
- Stainless steel hob with flame failure safety device conform to EC standards
- Support top with metal spacers
- Side condiment shelf
- Chrome-plated steel bottle holder
- Swivel castors, ø 10cm

Note: LPG cylinder and gas pressure regulator not included



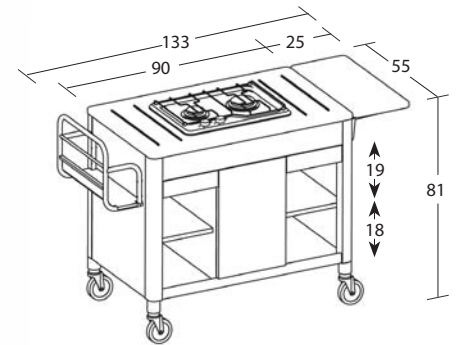
Walnut



Wenge



Item 6400

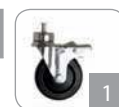


62

| Item | Finish | Gas burners | Max dim. - open (cm) | Max dim. - closed (cm) |
|-------|--------|-------------|----------------------|------------------------|
| 6400 | Walnut | twin | 133x55x81 | 118x55x81 |
| 6400W | Wenge | twin | 133x55x81 | 118x55x81 |
| 6402 | Walnut | double | 133x55x81 | 118x55x81 |
| 6402W | Wenge | double | 133x55x81 | 118x55x81 |
| 6404 | Walnut | single | 133x55x81 | 118x55x81 |
| 6404W | Wenge | single | 133x55x81 | 118x55x81 |

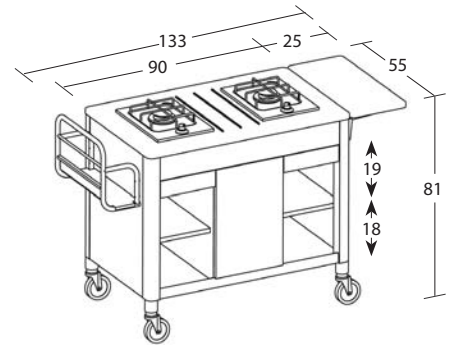
| Options | Description | For item |
|---------|---|----------|
| S1140 | 1 Set with 2 braked castors | All |
| SE140 | 2 Set with 4 resilient castors (2 with brake) | All |

| Accessories | Description | For item |
|-------------|--|-----------------------------|
| A80 | 1 Gas pressure regulator (LPG 30 mbar), single, c/w fittings | 6400 - 6400W - 6404 - 6404W |
| A82 | 2 Gas pressure regulator (LPG 30 mbar), double, c/w fittings | 6402 - 6402W |

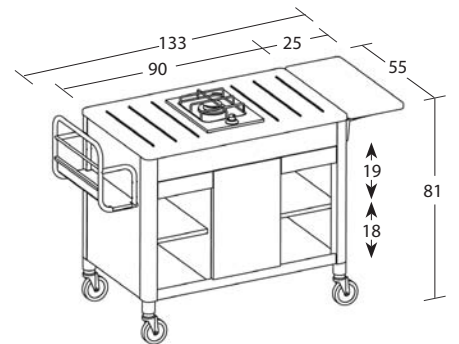




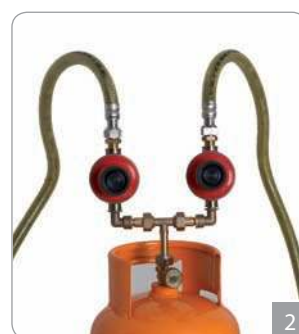
Item 6402



Item 6404



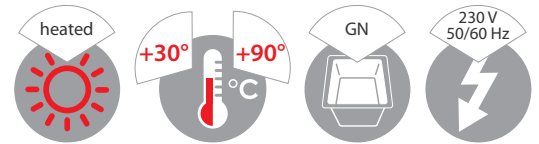
Item A80
Single pressure regulator



Item A82
Double pressure regulator

BAIN-MARIE TROLLEYS

- Solid wood frame with plywood side panels and bottom shelf
- Push handle
- Stainless steel well suitable for up to 200mm-deep Gastronorms (GN pans sold separately)
- Bain-Marie immersion heating element with protection grille
- Wattage: 1950 W
- Mains supply: 230V, 50/60 Hz, single-phase
- Bain-Marie condense drain at base of well with drain tap
- Digital thermometer/thermostat
- Sliding polythene chopping board
- Knife rack
- Swivel castors, ø 10cm



Walnut

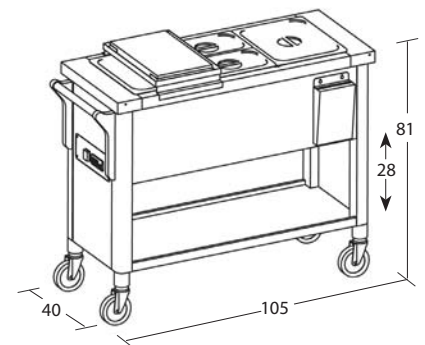


Wenge



Optional pans - see p. 162-163

64

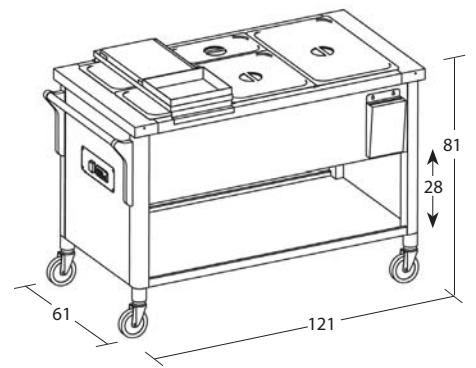


Item 6600S + pans


| Item | Finish | Capacity | Max dim. (cm) |
|--------|--------|----------|---------------|
| 6600S | Walnut | 3x1/2 GN | 105x40x81 |
| 6600SW | Wenge | 3x1/2 GN | 105x40x81 |
| 6602S | Walnut | 3x1/1 GN | 121x61x81 |
| 6602SW | Wenge | 3x1/1 GN | 121x61x81 |

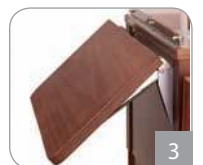
| Options | Description | For item |
|---------|---|----------|
| S1140 | 1 Set with 2 braked castors | All |
| SE140 | 2 Set with 4 resilient castors (2 with brake) | All |





Item 6602S + pans

| Accessories |  | Finish | Description | For item |
|-------------|---|--------|----------------------------|----------|
| A0010 | 3 | Walnut | Folding plate support | 6600S |
| A0010W | 4 | Wenge | Folding plate support | 6600SW |
| A0011 | 3 | Walnut | Folding plate support | 6602S |
| A0011W | 4 | Wenge | Folding plate support | 6602SW |
| A0015 | 5 | - | Stainless steel lid holder | All |





METAL SERVICE TROLLEYS

SERVICE TROLLEYS - STAINLESS STEEL/WOOD

- Stainless steel 2x2cm square tube frame, brushed finish
- Melamine-faced shelves with brushed stainless steel tubular edges
- Grey rubber ring buffers
- Swivel castors, \varnothing 12.5cm

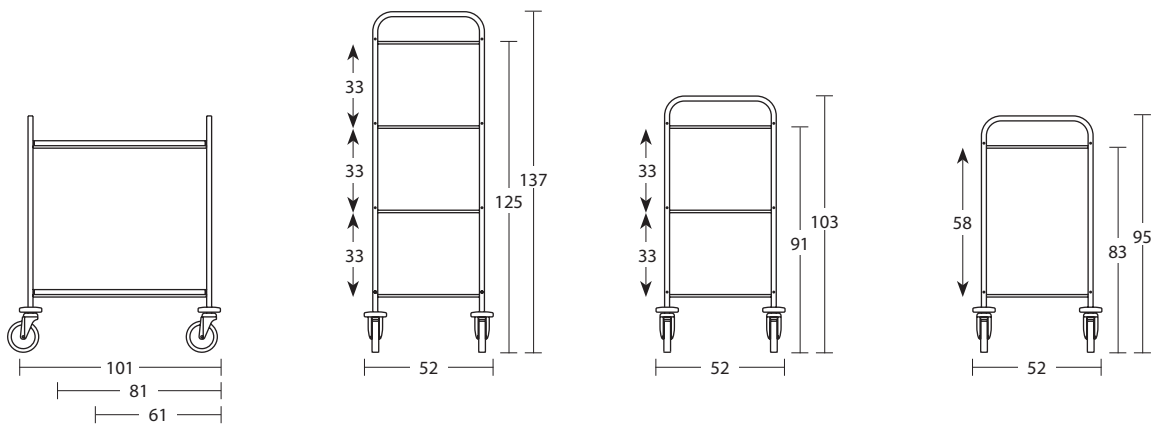


Cherry wood



Item 4690.2

68



| Item | Tiers | Shelf dim. (cm) | Max dim. (cm) |
|--------|-------|-----------------|---------------|
| 4650.2 | 2 | 50x45 | 61x52x95 |
| 4650.3 | 3 | 50x45 | 61x52x103 |
| 4650.4 | 4 | 50x45 | 61x52x137 |
| 4670.2 | 2 | 70x45 | 81x52x95 |
| 4670.3 | 3 | 70x45 | 81x52x103 |
| 4670.4 | 4 | 70x45 | 81x52x137 |
| 4690.2 | 2 | 90x45 | 101x52x95 |
| 4690.3 | 3 | 90x45 | 101x52x103 |
| 4690.4 | 4 | 90x45 | 101x52x137 |



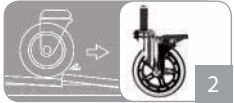
Item 4690.3



Item 4690.4

Options

| Options | Description | For item |
|---------|---|----------|
| S1200 | 1 Set with 2 braked castors | All |
| SE200 | 2 Set with 4 resilient castors (2 with brake) | All |



Accessories

| Accessories | Description | For item |
|-------------|-----------------------------|----------|
| AB02 | 3 PVC waste bin, 33x16x51cm | All |
| AB01 | 4 PVC waste bin, 35x19x18cm | All |



SERVICE TROLLEYS - STAINLESS STEEL/PLASTIC COATED

- Chrome-plated steel round tube frame, \varnothing 2.5cm
- Plastic coated sheet steel shelves, wood effect finish
- No sharp edges
- Die-cast aluminium corner joints fixing the shelves to the frame with rounded inner corners
- Grey rubber ring buffers
- Swivel castors, \varnothing 12.5cm

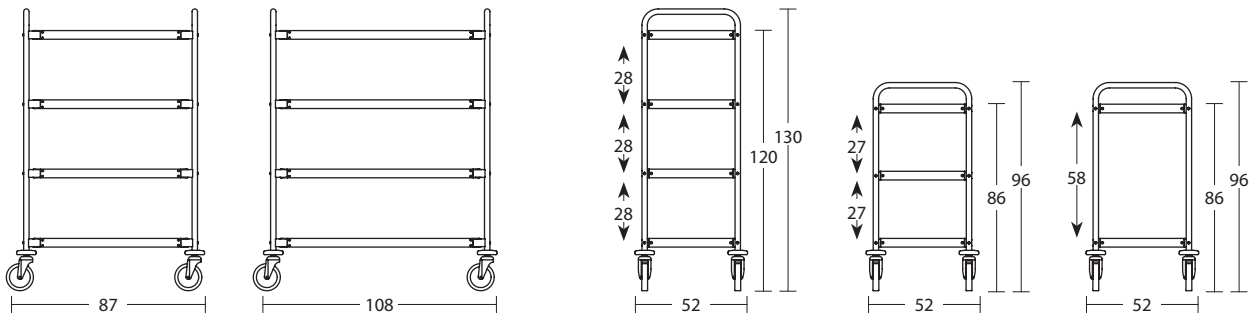


Walnut



Item 4012

70



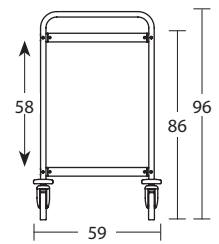
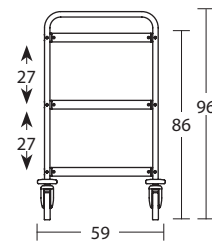
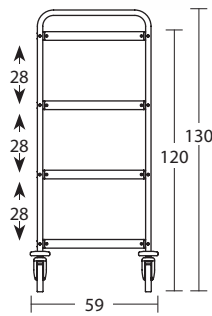
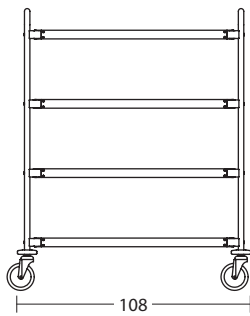
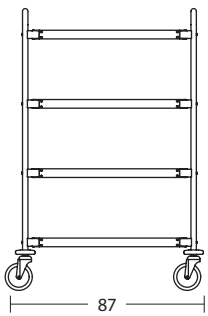
| Item | Tiers | Shelf dim. (cm) | Max dim. (cm) |
|------|-------|-----------------|---------------|
| 4006 | 2 | 71x45 | 87x52x96 |
| 4008 | 3 | 71x45 | 87x52x96 |
| 4010 | 4 | 71x45 | 87x52x130 |
| 4018 | 2 | 71x52 | 87x59x96 |
| 4020 | 3 | 71x52 | 87x59x96 |
| 4022 | 4 | 71x52 | 87x59x130 |
| 4000 | 2 | 93x45 | 108x52x96 |
| 4002 | 3 | 93x45 | 108x52x96 |
| 4004 | 4 | 93x45 | 108x52x130 |
| 4012 | 2 | 93x52 | 108x59x96 |
| 4014 | 3 | 93x52 | 108x59x96 |
| 4016 | 4 | 93x52 | 108x59x130 |



Item 4014



Item 4016



| Options | Description | For item |
|---------|---|----------|
| S1210 | 1 Set with 2 braked castors | All |
| SE210 | 2 Set with 4 resilient castors (2 with brake) | All |



| Accessories | Description | For item |
|-------------|-----------------------------|----------|
| AB02 | 3 PVC waste bin, 33x16x51cm | All |
| AB01 | 4 PVC waste bin, 35x19x18cm | All |



SERVICE TROLLEYS - STAINLESS STEEL/PLASTIC COATED

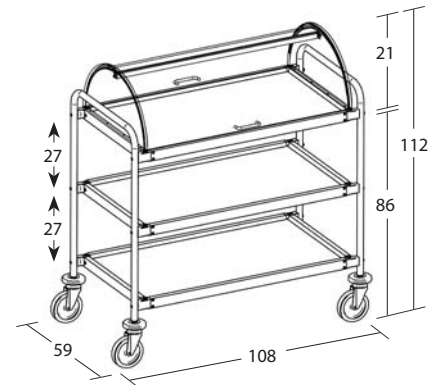
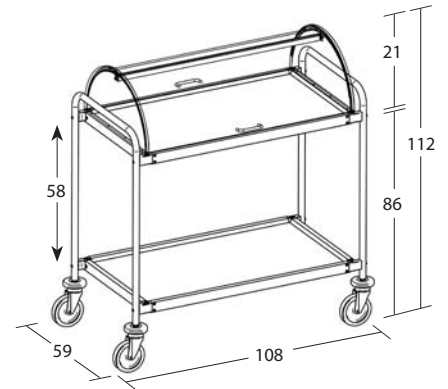
- Chrome-plated steel round tube frame, \varnothing 2.5cm
- Plastic coated sheet steel shelves, wood effect finish
- No sharp edges
- Die-cast aluminium corner joints fixing the shelves to the frame with rounded inner corners
- Acrylic dome opening on both sides
- Grey rubber ring buffers
- Swivel castors, \varnothing 12.5cm



Walnut



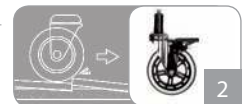
Item 4100



72

| Item | Tiers | Shelf dim. (cm) | Max dim. (cm) |
|------|-------|-----------------|---------------|
| 4100 | 2 | 93x52 | 108x59x112 |
| 4102 | 3 | 93x52 | 108x59x112 |

| Options | Description | For item |
|---------|---|-------------|
| S1210 | 1 Set with 2 braked castors | 4100 - 4102 |
| SE210 | 2 Set with 4 resilient castors (2 with brake) | 4100 - 4102 |



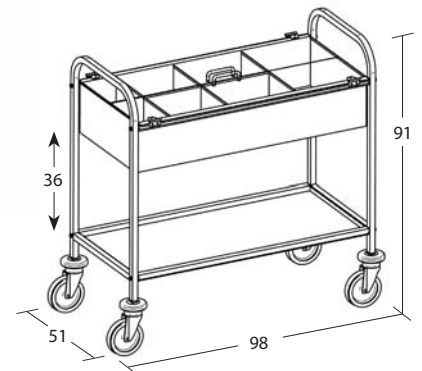
| Accessories | Description | For item |
|-------------|------------------------------------|-------------|
| A0006 | 3 Sliding plate support | 4100 - 4102 |
| A0097 | 4 PVC 3-compartment cutlery drawer | 4100 - 4102 |



- Frame and well support crosspieces in stainless steel 2x2cm square tube frame, brushed finish
- Stainless steel 7-compartment cutlery well, 180mm deep
- Acrylic covers with handles, hinged to the well
- Stainless steel lower shelf with brushed finish
- Grey rubber ring buffers
- Swivel castors, ø 12.5cm



Item 1140I + S1200



73

| Item | Tiers | Covers | Shelf dim. (cm) | Max dim. (cm) |
|-------|-------|--------|-----------------|---------------|
| 1140I | 1 | 80 | 87x44 | 98x51x91 |

| Options | Description | For item |
|---------|---|----------|
| S1200 | 1 Set with 2 braked castors | 1140I |
| SE200 | 2 Set with 4 resilient castors (2 with brake) | 1140I |



CLEARING TROLLEYS

- Stainless steel 2.5x2.5cm square tube frame, brushed finish
- The upper tier can take 3 x 200mm deep GN pans (GN pans sold separately)
- Lower tiers with removable stainless steel shelves
- Grey rubber ring buffers
- Swivel castors, \varnothing 12.5cm

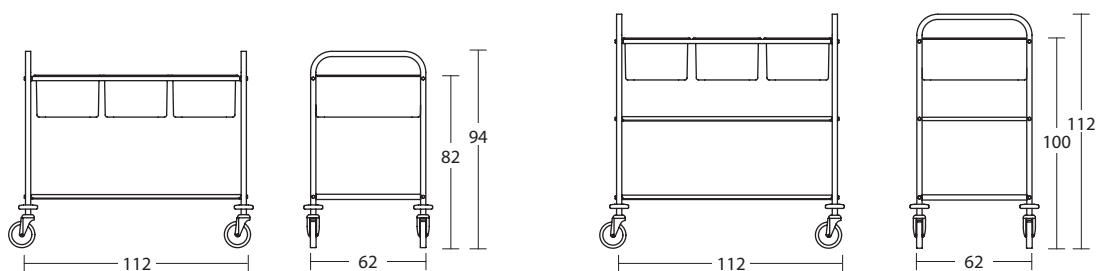


Optional pans - see pages 162-163

74



Item 1552 + pans

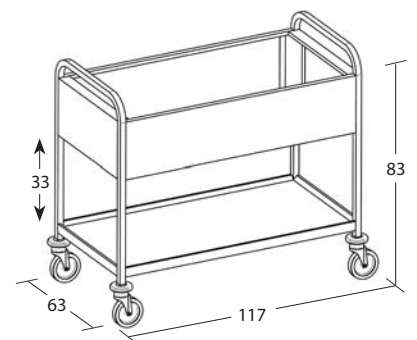
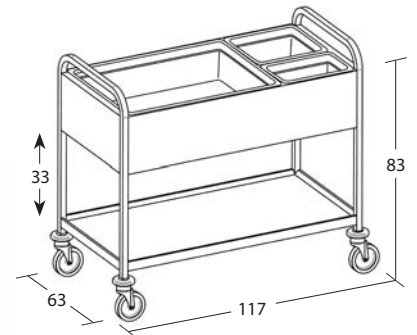


| Item | Tiers | Shelf dim. (cm) | Max dim. (cm) |
|------|-------|-----------------|---------------|
| 1550 | 1 | 100x50 | 112x62x94 |
| 1552 | 2 | 100x50 | 112x62x112 |

| Options | Description | For item |
|---------|---|-------------|
| S1220 | 1 Set with 2 braked castors | 1550 - 1552 |
| SE220 | 2 Set with 4 resilient castors (2 with brake) | 1550 - 1552 |



- Stainless steel 2.5x2.5cm square tube frame with stainless steel plate side panels welded throughout the length, brushed finish
- Top tier with no well. It can take up to 3 x 1/1 GN pans with a max depth of 200mm
- Stainless steel plate lower shelf with raised edge
- Grey rubber ring buffers
- Swivel castors, ø 12.5cm



Item 1515 + A0107 + S1220

| Item | Tiers | GN pans | Shelf dim. (cm) | Max dim. (cm) |
|-------|-------|---------------|-----------------|---------------|
| 1515 | 1 | 1x2/1 + 2x1/2 | 105x50.8 | 117x63x94 |
| 1515S | 1 | not included | 105x50.8 | 117x63x94 |

| Options | Description | For item |
|---------|-------------|----------|
|---------|-------------|----------|

| | | |
|-------|-----------------------------|--------------|
| S1220 | 1 Set with 2 braked castors | 1515 - 1515S |
|-------|-----------------------------|--------------|



| | | |
|-------|---|--------------|
| SE220 | 2 Set with 4 resilient castors (2 with brake) | 1515 - 1515S |
|-------|---|--------------|



| Accessories | Description | For item |
|-------------|-------------|----------|
|-------------|-------------|----------|

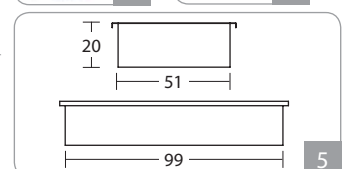
| | | |
|------|-----------------------------|--------------|
| AB02 | 3 PVC waste bin, 33x16x51cm | 1515 - 1515S |
|------|-----------------------------|--------------|



| | | |
|------|-----------------------------|--------------|
| AB01 | 4 PVC waste bin, 35x19x18cm | 1515 - 1515S |
|------|-----------------------------|--------------|

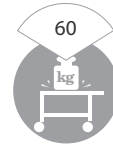


| | | |
|-------|---|--------------|
| A0107 | 5 Watertight well with drain hole - 3 x 1/1 GN 200mm-deep | 1515 - 1515S |
|-------|---|--------------|



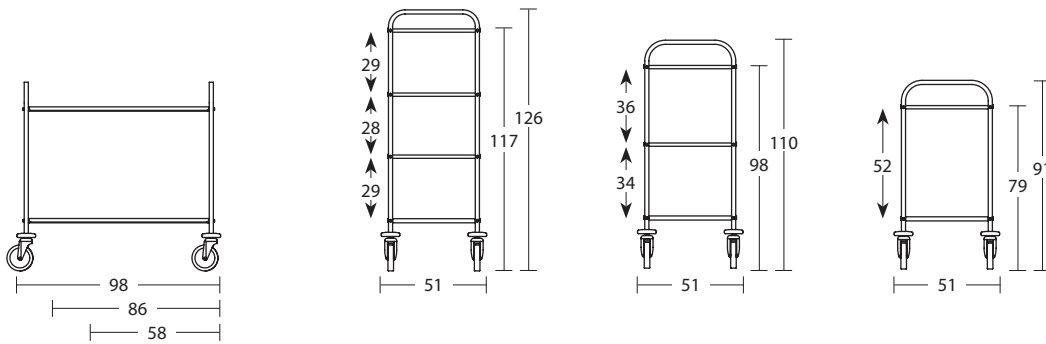
STAINLESS STEEL TROLLEYS - DEEP TRAY SHELVES

- Stainless steel 2x2cm square tube frame, brushed finish
- Stainless steel 15 or 65mm deep tray shelves, depending on model, with 90° no-sharp edges
- Grey rubber ring buffers
- Swivel castors, ø 12.5cm



Item 1516

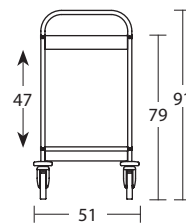
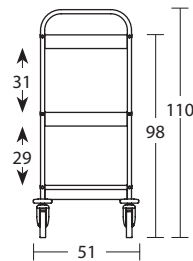
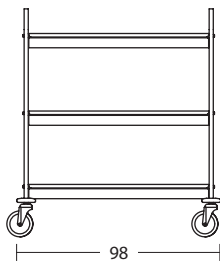
76



| Item | Tiers | Shelf depth (cm) | Shelf dim. (cm) | Max dim. (cm) |
|------|-------|------------------|-----------------|---------------|
| 1516 | 2 | 1.5 | 47x44 | 58x51x91 |
| 1517 | 3 | 1.5 | 47x44 | 58x51x110 |
| 1520 | 2 | 1.5 | 75x44 | 86x51x91 |
| 1521 | 3 | 1.5 | 75x44 | 86x51x110 |
| 1522 | 4 | 1.5 | 75x44 | 86x51x126 |
| 1523 | 2 | 1.5 | 87x44 | 98x51x91 |
| 1524 | 3 | 1.5 | 87x44 | 98x51x110 |
| 1525 | 4 | 1.5 | 87x44 | 98x51x126 |
| 1526 | 2 | 6.5 | 87x44 | 98x51x91 |
| 1527 | 3 | 6.5 | 87x44 | 98x51x110 |



Item 1526

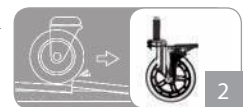


Options

| Options | Description | For item |
|---------|-----------------------------|----------|
| S1200 | 1 Set with 2 braked castors | All |



| | | |
|-------|---|-----|
| SE200 | 2 Set with 4 resilient castors (2 with brake) | All |
|-------|---|-----|



Accessories

| Accessories | Description | For item |
|-------------|-----------------------------|----------|
| AB02 | 3 PVC waste bin, 33x16x51cm | All |

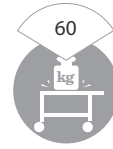


| | | |
|------|-----------------------------|-----|
| AB01 | 4 PVC waste bin, 35x19x18cm | All |
|------|-----------------------------|-----|



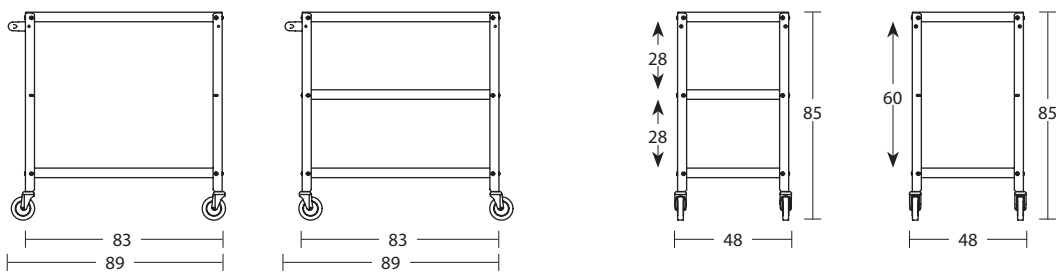
STAINLESS STEEL TROLLEYS - DEEP TRAY SHELVES

- L-shaped stainless steel sheet structure
- Stainless steel 40mm deep tray shelves with 90° no-sharp edges, bolted to the frame
- Push handle
- Swivel castors, \varnothing 9.5cm



Item 1545

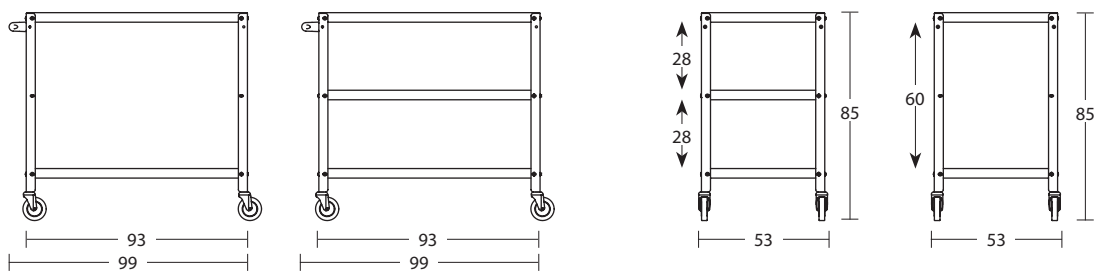
78



| Item | Tiers | Shelf dim. (cm) | Max dim. (cm) |
|------|-------|-----------------|---------------|
| 1545 | 2 | 80x45 | 89x48x85 |
| 1546 | 3 | 80x45 | 89x48x85 |
| 1547 | 2 | 90x50 | 99x53x85 |
| 1548 | 3 | 90x50 | 99x53x85 |



Item 1548



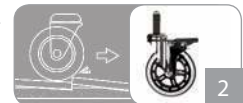
Options Description For item

| | | | |
|-------|---|---------------------------|-----|
| S1130 | 1 | Set with 2 braked castors | All |
|-------|---|---------------------------|-----|



1

| | | | |
|-------|---|---|-----|
| SE130 | 2 | Set with 4 resilient castors (2 with brake) | All |
|-------|---|---|-----|



2

Accessories Description For item

| | | | |
|------|---|---------------------------|-----|
| AB02 | 3 | PVC waste bin, 33x16x51cm | All |
|------|---|---------------------------|-----|



3

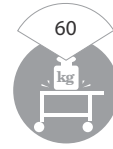
| | | | |
|------|---|---------------------------|-----|
| AB01 | 4 | PVC waste bin, 35x19x18cm | All |
|------|---|---------------------------|-----|



4

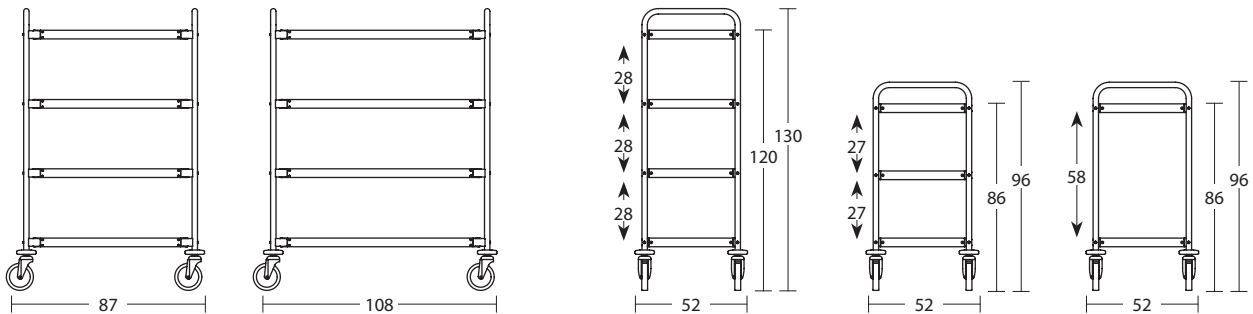
AISI 304 STAINLESS STEEL TROLLEYS - DEEP TRAY SHELVES

- Entirely made of AISI 304 stainless steel, brushed finish
- Stainless steel round tube frame, \varnothing 2.5cm
- Stainless steel 20mm deep tray shelves
- No sharp edges
- Die-cast aluminium corner joints fixing the shelves to the frame with rounded inner corners
- Grey rubber ring buffers
- Swivel castors, \varnothing 12.5cm



Item 4050

80



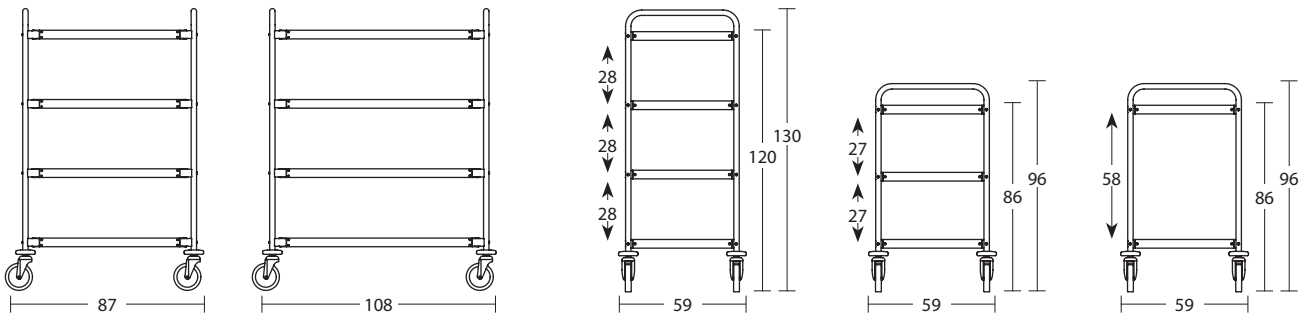
| Item | Tiers | Shelf dim. (cm) | Max dim. (cm) |
|------|-------|-----------------|---------------|
| 4056 | 2 | 71x45 | 87x52x96 |
| 4058 | 3 | 71x45 | 87x52x96 |
| 4060 | 4 | 71x45 | 87x52x130 |
| 4068 | 2 | 71x52 | 87x59x96 |
| 4070 | 3 | 71x52 | 87x59x96 |
| 4072 | 4 | 71x52 | 87x59x130 |
| 4050 | 2 | 93x45 | 108x52x96 |
| 4052 | 3 | 93x45 | 108x52x96 |
| 4054 | 4 | 93x45 | 108x52x130 |
| 4062 | 2 | 93x52 | 108x59x96 |
| 4064 | 3 | 93x52 | 108x59x96 |
| 4066 | 4 | 93x52 | 108x59x130 |



Item 4052



Item 4054



Options Description For item

| | | | |
|-------|---|---|-----|
| S1210 | 1 | Set with 2 braked castors | All |
| SE210 | 2 | Set with 4 resilient castors (2 with brake) | All |



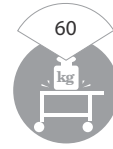
Accessories Description For item

| | | | |
|------|---|---------------------------|-----|
| AB02 | 3 | PVC waste bin, 33x16x51cm | All |
| AB01 | 4 | PVC waste bin, 35x19x18cm | All |

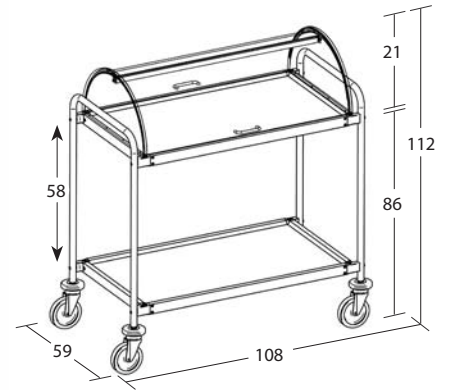


AISI 304 STAINLESS STEEL TROLLEYS - DEEP TRAY SHELVES

- Entirely made of AISI 304 stainless steel, brushed finish
- Stainless steel round tube frame, \varnothing 2.5cm
- Stainless steel 20mm deep tray shelves
- No sharp edges
- Die-cast aluminium corner joints fixing the shelves to the frame with rounded inner corners
- Acrylic dome opening on both sides
- Grey rubber ring buffers
- Swivel castors, \varnothing 12.5cm



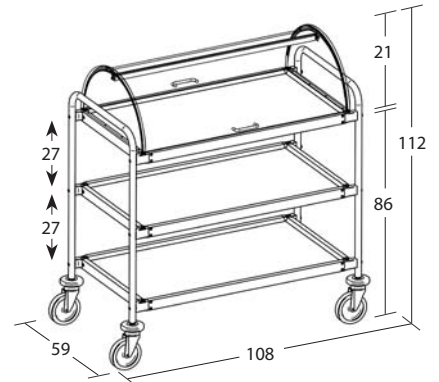
Item 4150



| Item | Tiers | Shelf dim. (cm) | Max dim. (cm) |
|------|-------|-----------------|---------------|
| 4150 | 2 | 93x52 | 108x59x112 |
| 4152 | 3 | 93x52 | 108x59x112 |



Item 4152



| Options | Description | For item |
|---------|-------------|----------|
|---------|-------------|----------|

| | | |
|-------|---|-------------|
| S1210 | 1 Set with 2 braked castors | 4150 - 4152 |
| SE210 | 2 Set with 4 resilient castors (2 with brake) | 4150 - 4152 |



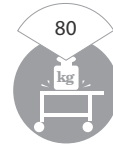
| Accessories | Description | For item |
|-------------|-------------|----------|
|-------------|-------------|----------|

| | | |
|-------|------------------------------------|-------------|
| A0006 | 3 Sliding plate support | 4150 - 4152 |
| A0097 | 4 PVC 3-compartment cutlery drawer | 4150 - 4152 |



AISI 304 STAINLESS STEEL TROLLEYS - BOLTED PRESSED SHELVES

- Entirely made of AISI 304 stainless steel, brushed finish
- Stainless steel round tube frame, \varnothing 2.5cm
- Pressed shelves with no sharp edges, sound-proof, bolted to frame
- Grey rubber ring buffers
- Swivel castors, \varnothing 12.5cm

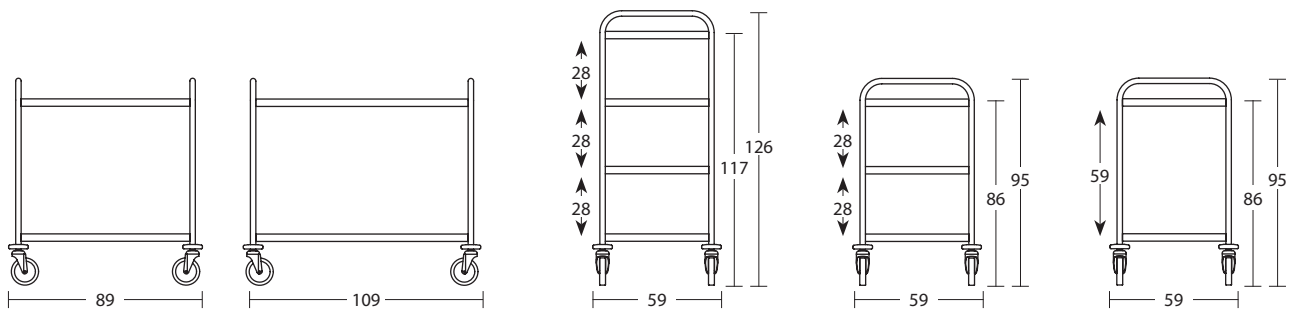


Bolted shelf



Item 1400

84



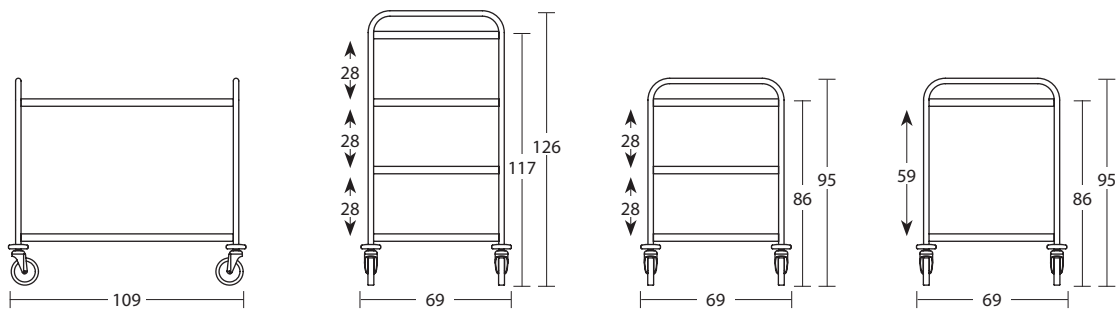
| Item | Tiers | Shelf dim. (cm) | Max dim. (cm) |
|-------|-------|-----------------|---------------|
| 1400C | 2 | 80x50 | 89x59x95 |
| 1405C | 3 | 80x50 | 89x59x95 |
| 1410C | 4 | 80x50 | 89x59x126 |
| 1400 | 2 | 100x50 | 109x59x95 |
| 1405 | 3 | 100x50 | 109x59x95 |
| 1410 | 4 | 100x50 | 109x59x126 |
| 1402 | 2 | 100x60 | 109x69x95 |
| 1407 | 3 | 100x60 | 109x69x95 |
| 1412 | 4 | 100x60 | 109x69x126 |



Item 1405

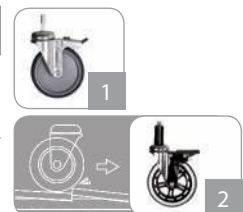


Item 1410



Options  Description For item

| | | | |
|-------|---|---|-----|
| S1210 | 1 | Set with 2 braked castors | All |
| SE210 | 2 | Set with 4 resilient castors (2 with brake) | All |



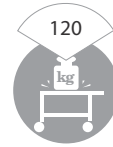
Accessories  Description For item

| | | | |
|------|---|---------------------------|-----|
| AB02 | 3 | PVC waste bin, 33x16x51cm | All |
| AB01 | 4 | PVC waste bin, 35x19x18cm | All |



AISI 304 STAINLESS STEEL TROLLEYS - WELDED PRESSED SHELVES

- Entirely made of AISI 304 stainless steel, brushed finish
- Stainless steel round tube frame, \varnothing 2.5cm
- Pressed shelves with no sharp edges, sound-proof, welded to the frame
- Grey rubber ring buffers
- Swivel castors, \varnothing 12.5cm

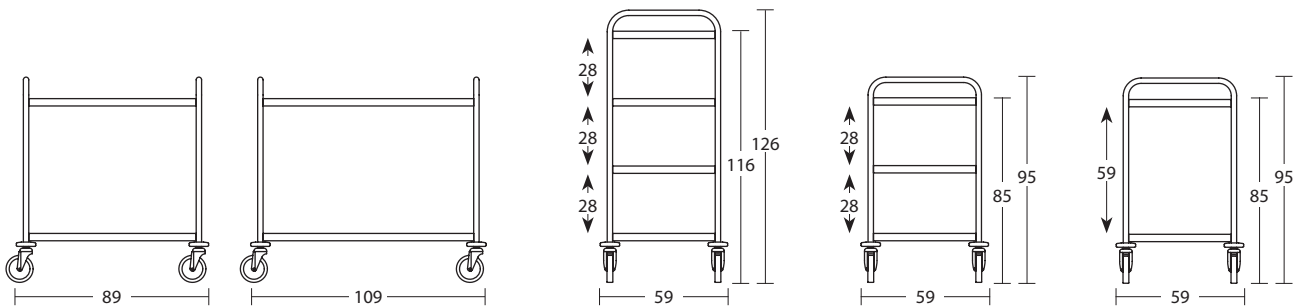


Welded shelf



Item 1400S

86



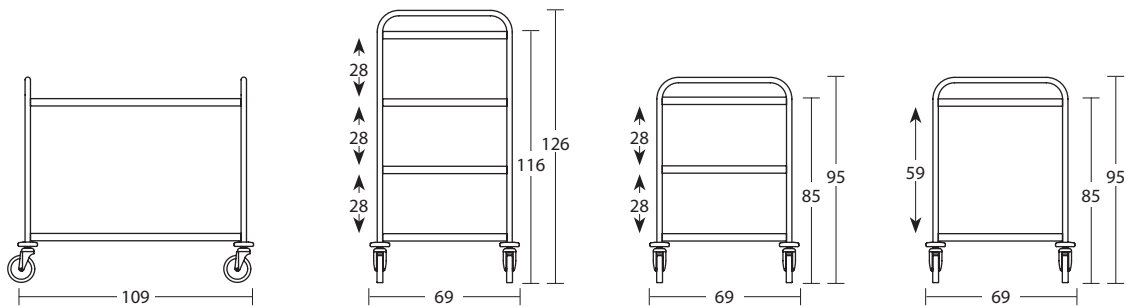
| Item | Tiers | Shelf dim. (cm) | Max dim. (cm) |
|--------|-------|-----------------|---------------|
| 1400CS | 2 | 80x50 | 89x59x95 |
| 1405CS | 3 | 80x50 | 89x59x95 |
| 1410CS | 4 | 80x50 | 89x59x126 |
| 1400S | 2 | 100x50 | 109x59x95 |
| 1405S | 3 | 100x50 | 109x59x95 |
| 1410S | 4 | 100x50 | 109x59x126 |
| 1402S | 2 | 100x60 | 109x69x95 |
| 1407S | 3 | 100x60 | 109x69x95 |
| 1412S | 4 | 100x60 | 109x69x126 |



Item 14055



Item 14105



Options  Description For item

| | | | |
|-------|---|---|-----|
| S1210 | 1 | Set with 2 braked castors | All |
| SE210 | 2 | Set with 4 resilient castors (2 with brake) | All |



Accessories  Description For item

| | | | |
|------|---|---------------------------|-----|
| AB02 | 3 | PVC waste bin, 33x16x51cm | All |
| AB01 | 4 | PVC waste bin, 35x19x18cm | All |



AISI 304 STAINLESS STEEL HEAVY-DUTY TROLLEYS - PRESSED SHELVES

- Entirely made of AISI 304 stainless steel, brushed finish
- Stainless steel round tube closed frame, \varnothing 2.5cm
- Pressed shelves with no sharp edges, sound-proof, welded to the frame
- Grey rubber ring buffers
- Swivel castors (2 with brake), \varnothing 12.5cm

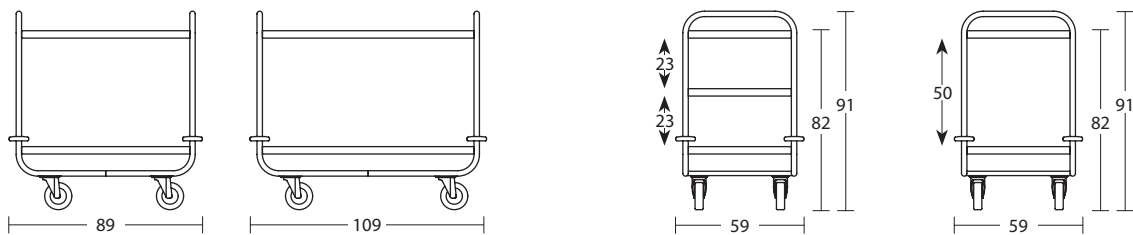


Welded shelf



Item 1400P

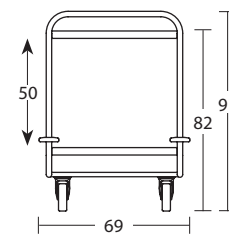
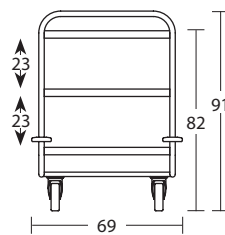
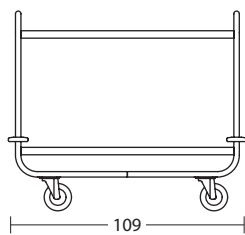
88



| Item | Tiers | Shelf dim. (cm) | Max dim. (cm) |
|--------|-------|-----------------|---------------|
| 1400CP | 2 | 80x50 | 89x59x91 |
| 1405CP | 3 | 80x50 | 89x59x91 |
| 1400P | 2 | 100x50 | 109x59x91 |
| 1405P | 3 | 100x50 | 109x59x91 |
| 1402P | 2 | 100x60 | 109x69x91 |
| 1407P | 3 | 100x60 | 109x69x91 |



Item 1405P



Options Description For item

| | | |
|-------|---|-----|
| SE230 | 1 Set with 4 resilient castors (2 with brake) | All |
|-------|---|-----|



Accessories Description For item

| | | |
|------|-----------------------------|-----|
| AB02 | 2 PVC waste bin, 33x16x51cm | All |
|------|-----------------------------|-----|



| | | |
|------|-----------------------------|-----|
| AB01 | 3 PVC waste bin, 35x19x18cm | All |
|------|-----------------------------|-----|



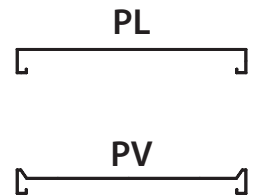
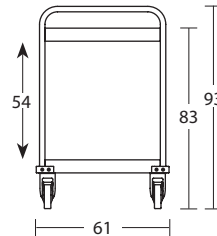
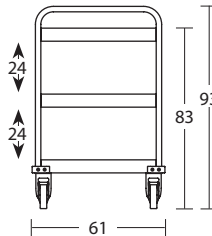
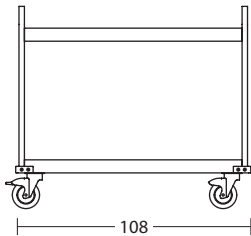
AISI 304 STAINLESS STEEL HEAVY-DUTY TROLLEYS

- Entirely made of AISI 304 stainless steel, brushed finish
- Stainless steel 2.5x2.5cm square tube frame
- Sheet steel pressed shelves (PL series) or deep tray shelves (PV series), welded to the frame
- Grey rubber ring buffers
- Swivel castors with plate support, \varnothing 12.5cm, 2 with brake



Item 1540PL

90



| Item | Tiers | Shelf dim. (cm) | Max dim. (cm) |
|--------|-------|-----------------|---------------|
| 1540PL | 2 | 100x58 | 108x61x93 |
| 1541PL | 3 | 100x58 | 108x61x93 |
| 1540PV | 2 | 100x58 | 108x61x93 |
| 1541PV | 3 | 100x58 | 108x61x93 |

| Options | Description | For item |
|---------|---|----------|
| SE330 | 1 Set with 4 resilient castors (2 with brake) | All |



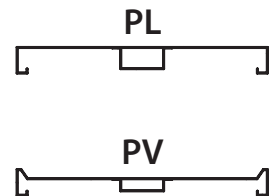
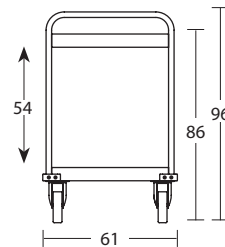
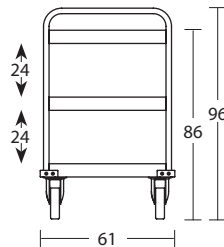
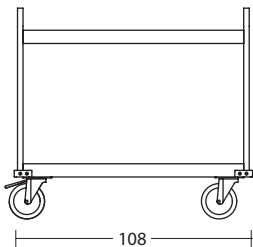
| Accessories | Description | For item |
|-------------|-----------------------------|----------|
| AB02 | 2 PVC waste bin, 33x16x51cm | All |
| AB01 | 3 PVC waste bin, 35x19x18cm | All |



- Entirely made of AISI 304 stainless steel, brushed finish
- Stainless steel 2.5x2.5cm square tube frame
- Sheet steel pressed shelves (PL series) or deep tray shelves (PV series) with reinforcing bar, welded to the frame
- Grey rubber ring buffers
- Swivel castors with plate support and roller bearings, ø cm 16, 2 with brake



Item 1542PV



| Item | Tiers | Shelf dim. (cm) | Max dim. (cm) |
|--------|-------|-----------------|---------------|
| 1542PL | 2 | 100x58 | 108x61x96 |
| 1543PL | 3 | 100x58 | 108x61x96 |
| 1542PV | 2 | 100x58 | 108x61x96 |
| 1543PV | 3 | 100x58 | 108x61x96 |

| Accessories | Description | For item |
|-------------|-----------------------------|----------|
| AB02 | 2 PVC waste bin, 33x16x51cm | All |
| AB01 | 3 PVC waste bin, 35x19x18cm | All |





WAITER'S STATIONS

- Melamine-faced frame
- Cutlery drawers with dividers, on runners
- Edges protected by rubber trim
- Castors, ø 5cm



*Matt lacquer finish in RAL colours



Cutlery drawer



Item 1600

| Item | Finish | Description | Max dim. (cm) |
|---------|-------------|---|---------------|
| 1600 | Cherry wood | 2 doors + 2 cutlery drawers | 94x48x145 |
| 1600W | Wenge | 2 doors + 2 cutlery drawers | 94x48x145 |
| 1600RAL | RAL | 2 doors + 2 cutlery drawers | 94x48x145 |
| 1605 | Cherry wood | 2 storage drawers + 2 cutlery drawers | 94x48x145 |
| 1605W | Wenge | 2 storage drawers + 2 cutlery drawers | 94x48x145 |
| 1605RAL | RAL | 2 storage drawers + 2 cutlery drawers | 94x48x145 |
| 1606 | Cherry wood | 1 door + 1 storage drawer + 2 cutlery drawers | 94x48x145 |
| 1606W | Wenge | 1 door + 1 storage drawer + 2 cutlery drawers | 94x48x145 |
| 1606RAL | RAL | 1 door + 1 storage drawer + 2 cutlery drawers | 94x48x145 |
| 1607 | Cherry wood | 1 door + 1 open unit + 2 cutlery drawers | 94x48x145 |
| 1607W | Wenge | 1 door + 1 open unit + 2 cutlery drawers | 94x48x145 |
| 1607RAL | RAL | 1 door + 1 open unit + 2 cutlery drawers | 94x48x145 |

- Melamine-faced frame
- Open cutlery compartments with dividers, on runners
- Edges protected by rubber trim
- Castors, ø 5cm



*Matt lacquer finish in RAL colours



Item 1607FW

Open cutlery compartment



| Item | Finish | Description | Max dim. (cm) |
|----------|-------------|--|---------------|
| 1600F | Cherry wood | 2 doors + 2 cutlery compartments | 94x48x145 |
| 1600FW | Wenge | 2 doors + 2 cutlery compartments | 94x48x145 |
| 1600FRAL | RAL | 2 doors + 2 cutlery compartments | 94x48x145 |
| 1605F | Cherry wood | 2 storage drawers + 2 cutlery compartments | 94x48x145 |
| 1605FW | Wenge | 2 storage drawers + 2 cutlery compartments | 94x48x145 |
| 1605FRAL | RAL | 2 storage drawers + 2 cutlery compartments | 94x48x145 |
| 1606F | Cherry wood | 1 door + 1 storage drawer + 2 cutlery compartments | 94x48x145 |
| 1606FW | Wenge | 1 door + 1 storage drawer + 2 cutlery compartments | 94x48x145 |
| 1606FRAL | RAL | 1 door + 1 storage drawer + 2 cutlery compartments | 94x48x145 |
| 1607F | Cherry wood | 1 door + 1 open unit + 2 cutlery compartments | 94x48x145 |
| 1607FW | Wenge | 1 door + 1 open unit + 2 cutlery compartments | 94x48x145 |
| 1607FRAL | RAL | 1 door + 1 open unit + 2 cutlery compartments | 94x48x145 |

- Melamine-faced frame
- Cutlery drawers with dividers, on runners
- Edges protected by rubber trim
- Castors, ø 5cm



Item 1610

| Item | Finish | Description | Max dim. (cm) |
|---------|-------------|---------------------------------------|---------------|
| 1610 | Cherry wood | 1 door + 1 cutlery drawer | 48x48x145 |
| 1610W | Wenge | 1 door + 1 cutlery drawer | 48x48x145 |
| 1610RAL | RAL | 1 door + 1 cutlery drawer | 48x48x145 |
| 1615 | Cherry wood | 1 storage drawer + 1 cutlery drawer | 48x48x145 |
| 1615W | Wenge | 1 storage drawer + 1 cutlery drawer | 48x48x145 |
| 1615RAL | RAL | 1 storage drawer + 1 d cutlery rrawer | 48x48x145 |
| 1616 | Cherry wood | 1 open unit + 1 cutlery drawer | 48x48x145 |
| 1616W | Wenge | 1 open unit + 1 cutlery drawer | 48x48x145 |
| 1616RAL | RAL | 1 open unit + 1 cutlery drawer | 48x48x145 |

- Melamine-faced frame
- Open cutlery compartments with dividers, on runners
- Edges protected by rubber trim
- Castors, ø 5cm



Item 1616FW

| Item | Finish | Description | Max dim. (cm) |
|----------|-------------|--|---------------|
| 1610F | Cherry wood | 1 door + 1 cutlery compartment | 48x48x145 |
| 1610FW | Wenge | 1 door + 1 cutlery compartment | 48x48x145 |
| 1610FRAL | RAL | 1 door + 1 cutlery compartment | 48x48x145 |
| 1615F | Cherry wood | 1 storage drawer + 1 cutlery compartment | 48x48x145 |
| 1615FW | Wenge | 1 storage drawer + 1 cutlery compartment | 48x48x145 |
| 1615FRAL | RAL | 1 storage drawer + 1 cutlery compartment | 48x48x145 |
| 1616F | Cherry wood | 1 open unit + 1 cutlery compartment | 48x48x145 |
| 1616FW | Wenge | 1 open unit + 1 cutlery compartment | 48x48x145 |
| 1616FRAL | RAL | 1 open unit + 1 cutlery compartment | 48x48x145 |

SERIES 1600 - DRAWERS

- Melamine-faced frame
- Cutlery drawers with dividers, on runners
- Edges protected by rubber trim
- Castors, ø 5cm

Cherry wood



Wenge



RAL ...*



*Matt lacquer finish in RAL colours



Item 1620

98

| Item | Finish | Description | Max dim. (cm) |
|---------|-------------|---|---------------|
| 1620 | Cherry wood | 2 doors + 2 cutlery drawers | 94x48x98 |
| 1620W | Wenge | 2 doors + 2 cutlery drawers | 94x48x98 |
| 1620RAL | RAL | 2 doors + 2 cutlery drawers | 94x48x98 |
| 1625 | Cherry wood | 2 storage drawers + 2 cutlery drawers | 94x48x98 |
| 1625W | Wenge | 2 storage drawers + 2 cutlery drawers | 94x48x98 |
| 1625RAL | RAL | 2 storage drawers + 2 cutlery drawers | 94x48x98 |
| 1626 | Cherry wood | 1 door + 1 storage drawer + 2 cutlery drawers | 94x48x98 |
| 1626W | Wenge | 1 door + 1 storage drawer + 2 cutlery drawers | 94x48x98 |
| 1626RAL | RAL | 1 door + 1 storage drawer + 2 cutlery drawers | 94x48x98 |
| 1627 | Cherry wood | 1 door + 1 open unit + 2 cutlery drawers | 94x48x98 |
| 1627W | Wenge | 1 door + 1 open unit + 2 cutlery drawers | 94x48x98 |
| 1627RAL | RAL | 1 door + 1 open unit + 2 cutlery drawers | 94x48x98 |

- Melamine-faced frame
- Open cutlery compartments with dividers, on runners
- Edges protected by rubber trim
- Castors, ø 5cm



Item 1627FW

| Item | Finish | Description | Max dim. (cm) |
|----------|-------------|--|---------------|
| 1620F | Cherry wood | 2 doors + 2 cutlery compartments | 94x48x98 |
| 1620FW | Wenge | 2 doors + 2 cutlery compartments | 94x48x98 |
| 1620FRAL | RAL | 2 doors + 2 cutlery compartments | 94x48x98 |
| 1625F | Cherry wood | 2 storage drawers + 2 cutlery compartments | 94x48x98 |
| 1625FW | Wenge | 2 storage drawers + 2 cutlery compartments | 94x48x98 |
| 1625FRAL | RAL | 2 storage drawers + 2 cutlery compartments | 94x48x98 |
| 1626F | Cherry wood | 1 door + 1 storage drawer + 2 cutlery compartments | 94x48x98 |
| 1626FW | Wenge | 1 door + 1 storage drawer + 2 cutlery compartments | 94x48x98 |
| 1626FRAL | RAL | 1 door + 1 storage drawer + 2 cutlery compartments | 94x48x98 |
| 1627F | Cherry wood | 1 door + 1 open unit + 2 cutlery compartments | 94x48x98 |
| 1627FW | Wenge | 1 door + 1 open unit + 2 cutlery compartments | 94x48x98 |
| 1627FRAL | RAL | 1 door + 1 open unit + 2 cutlery compartments | 94x48x98 |

SERIES 8500-60

- Melamine-faced cabinets
- Sheet steel side supports with bent base for castor fitting, aluminum painted and protected by clear coat
- Removable drawers on runners with detachable front for ease of cleaning
- Aluminum painted handles
- Swivel castors, ø 12.5cm, 2 with brake

Cherry wood



Wenge



RAL ...*

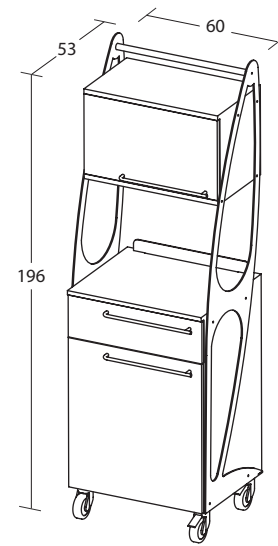
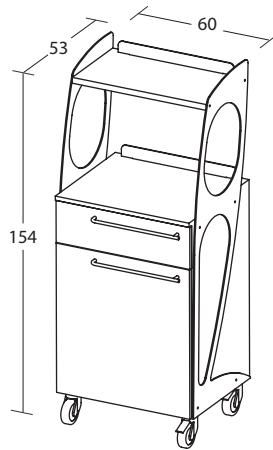
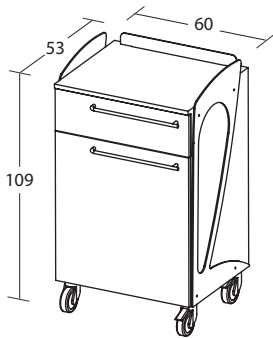


*Matt lacquer finish in RAL colours

100



Item 8500-60



| Item | Finish | Description | Max dim. (cm) |
|------------|-------------|-----------------------------------|---------------|
| 8500-60 | Cherry wood | 1 door + 1 drawer | 60x53x109 |
| 8500W-60 | Wenge | 1 door + 1 drawer | 60x53x109 |
| 8500RAL-60 | RAL | 1 door + 1 drawer | 60x53x109 |
| 8510-60 | Cherry wood | 1 door + 1 drawer + upper shelf | 60x53x154 |
| 8510W-60 | Wenge | 1 door + 1 drawer + upper shelf | 60x53x154 |
| 8510RAL-60 | RAL | 1 door + 1 drawer + upper shelf | 60x53x154 |
| 8520-60 | Cherry wood | 1 door + 1 drawer + wall cupboard | 60x53x196 |
| 8520W-60 | Wenge | 1 door + 1 drawer + wall cupboard | 60x53x196 |
| 8520RAL-60 | RAL | 1 door + 1 drawer + wall cupboard | 60x53x196 |

| Options | Description | For item |
|---------|------------------------------------|----------|
| 8610-60 | 1 Single storage drawer, 60cm deep | All |



- Melamine-faced cabinets
- Sheet steel side supports with bent base for castor fitting, aluminum painted and protected by clear coat
- Removable drawers on runners with detachable front for ease of cleaning
- Aluminum painted handles
- Swivel castors, ø 12.5cm, 2 with brake

Cherry wood



Wenge



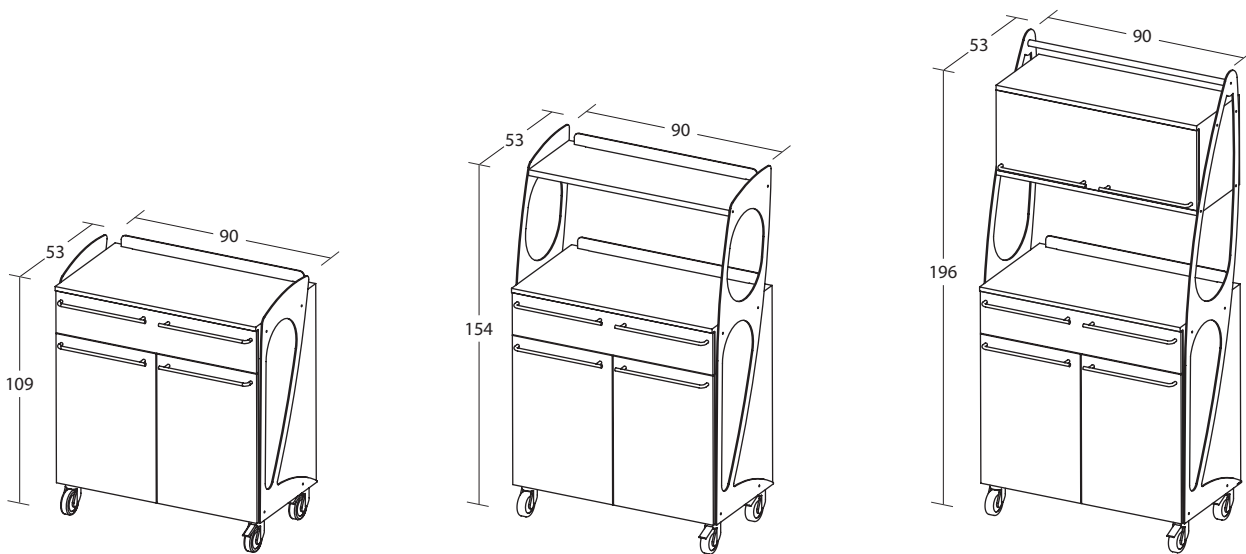
RAL ...*



*Matt lacquer finish in RAL colours



Item 8520-90



| Item | Finish | Description | Max dim. (cm) |
|------------|-------------|------------------------------------|---------------|
| 8500-90 | Cherry wood | 2 doors + 1 drawer | 90x53x109 |
| 8500W-90 | Wenge | 2 doors + 1 drawer | 90x53x109 |
| 8500RAL-90 | RAL | 2 doors + 1 drawer | 90x53x109 |
| 8510-90 | Cherry wood | 2 doors + 1 drawer + upper shelf | 90x53x154 |
| 8510W-90 | Wenge | 2 doors + 1 drawer + upper shelf | 90x53x154 |
| 8510RAL-90 | RAL | 2 doors + 1 drawer + upper shelf | 90x53x154 |
| 8520-90 | Cherry wood | 2 doors + 1 drawer + wall cupboard | 90x53x196 |
| 8520W-90 | Wenge | 2 doors + 1 drawer + wall cupboard | 90x53x196 |
| 8520RAL-90 | RAL | 2 doors + 1 drawer + wall cupboard | 90x53x196 |

| Options | Description | For item |
|---------|------------------------------------|----------|
| 8610-45 | 1 Single storage drawer, 45cm deep | All |



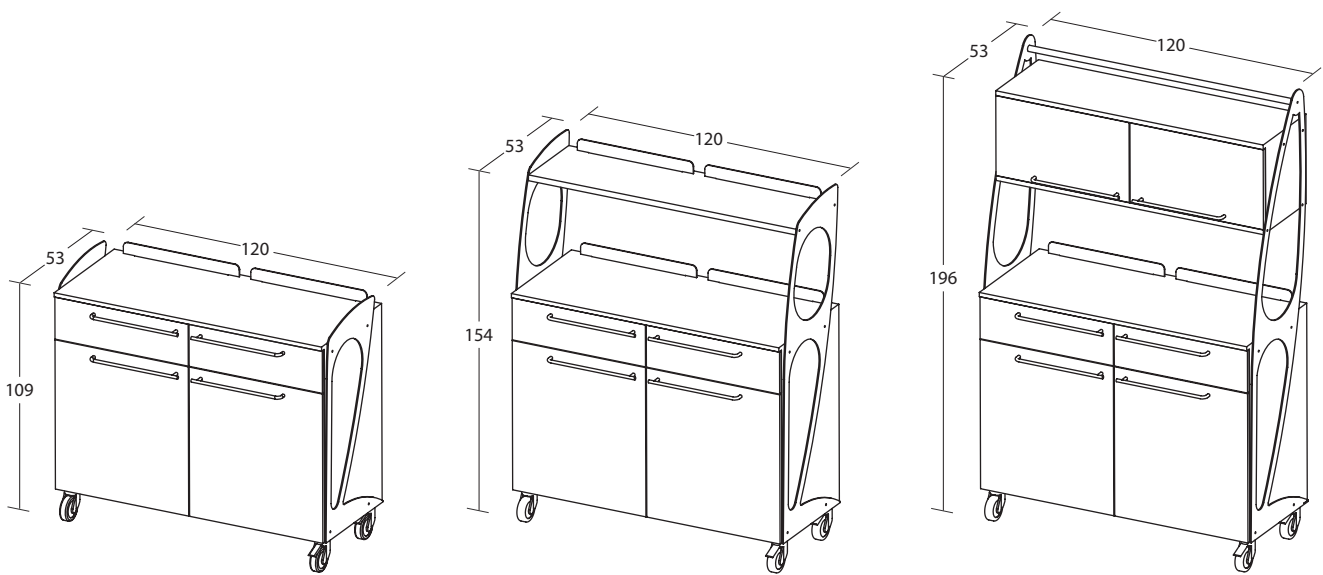
- Melamine-faced cabinets
- Sheet steel side supports with bent base for castor fitting, aluminum painted and protected by clear coat
- Removable drawers on runners with detachable front for ease of cleaning
- Aluminum painted handles
- Swivel castors, ø 12.5cm, 2 with brake



*Matt lacquer finish in RAL colours



Item 8510W-120



| Item | Finish | Description | Max dim. (cm) |
|-------------|-------------|-------------------------------------|---------------|
| 8500-120 | Cherry wood | 2 doors + 2 drawers | 120x53x109 |
| 8500W-120 | Wenge | 2 doors + 2 drawers | 120x53x109 |
| 8500RAL-120 | RAL | 2 doors + 2 drawers | 120x53x109 |
| 8510-120 | Cherry wood | 2 doors + 2 drawers + upper shelf | 120x53x154 |
| 8510W-120 | Wenge | 2 doors + 2 drawers + upper shelf | 120x53x154 |
| 8510RAL-120 | RAL | 2 doors + 2 drawers + upper shelf | 120x53x154 |
| 8520-120 | Cherry wood | 2 doors + 2 drawers + wall cupboard | 120x53x196 |
| 8520W-120 | Wenge | 2 doors + 2 drawers + wall cupboard | 120x53x196 |
| 8520RAL-120 | RAL | 2 doors + 2 drawers + wall cupboard | 120x53x196 |

| Options | Description | For item |
|---------|------------------------------------|----------|
| 8610-60 | 1 Single storage drawer, 60cm deep | All |





DISPLAY UNITS
(HEATED/CHILLED)

Having always been present in the HO.RE.CA. sector, we have over time managed to develop a range of products for displaying both heated and chilled foods. Thanks also to a close collaboration with our clients, the experience we have gained has allowed us to create products that, as well as being attractive, are extremely reliable and have evolved to accommodate changing tastes and needs. The common denominator of all our products is sturdiness and the use of top-quality materials.

The chapter opens with a series of trolleys that are ideal for displaying plated meals, appetizers, salads, desserts, etc.

From an aesthetic point of view we have in this case opted for construction that features the use of easy-to-clean ABS surfaces with rounded edges and toughened glass doors externally and stainless steel internally. From a technical point of view, a system of static refrigeration gives uniform temperature to the unit, maintaining the correct level of humidity. The high level of insulation offered, which is necessary in order to guarantee energy saving, has been obtained by injecting high-density expanded polyurethane foam between the external and internal walls. For the heated version, the same frame has been used, with dry resistance elements replacing the refrigerated panels. Temperatures are controlled by a digital thermostat-thermometer.

The range continues with a series of trolleys with a wooden frame and a variety of lid options; semi-cylindrical domes with opening on both sides or just one side, with chilled back, display shelf and well. All wells are fitted with a condensate drain. Should it be necessary to drain away a large quantity of liquid, the drainage aperture can be fitted with a drain tap (available on request).

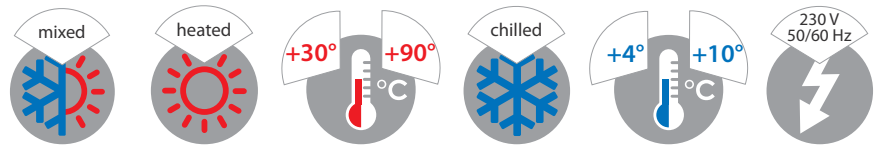
Continuing through the chapter, there are a series of appliances that can compose a "buffet" line.

These articles can be chilled, heated with a bain-marie or contain both a heated and a refrigerated section. All have lighting in the upper cover and are fitted with a sneeze guard that can be either fixed or movable, so the compartment can be closed at the end of service. On all these appliances it is possible to add a series of either wooden or metal folding tray slides. Furthermore, under the heading "drop-in" the series also includes the technical specifications of our appliances, designed to be contained in counters provided by clients.

Ambient elements, fitted with various optional extras, complete the range.

All our wooden trolleys are available in various finishes and there is a possibility to customize them further with matt finish lacquers from the "RAL" colour chart.

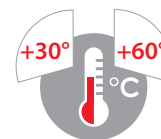
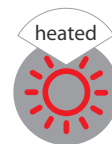
We haven't overlooked the industrial sector either, for which there is a series of trolleys with an AISI 304 stainless steel frame and Gastronorm-standard capacity, ideal for ready meals preparation assembly lines.



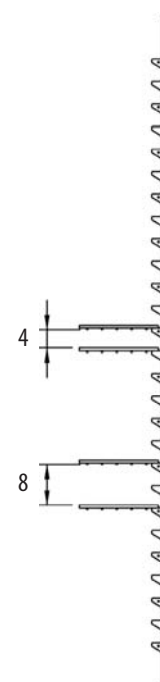


HEATED DISPLAY CASES

- Constructed from composite panels, double skinned, AISI304 stainless steel to interior, having brushed finish and ABS panels to the exterior. Insulated with injected high density expanded polyurethane
- 180° opening tempered glass doors with no sharp edges and removable PVC door seals for ease of cleaning
- Snap-closing hinges
- Stainless steel tube push handles with PVC brackets
- Interior with racks having runners spaced at 4 cms or plate holders in various capacities and sizes depending on model.
Free-to-be-arranged 65x65cm grill racks (the standard supply includes 15 grill racks spaced at 8 cms)
- Control panel with digital thermostat-thermometer and ON/OFF switch with warning light
- Mains supply: 230V, 50/60 Hz, single-phase
- 3m long coiled power cable
- Operating temperature between 30 °C and 60 °C
- Swivel castors (2 with brake), ø 12.5cm



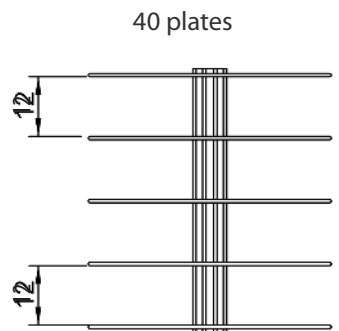
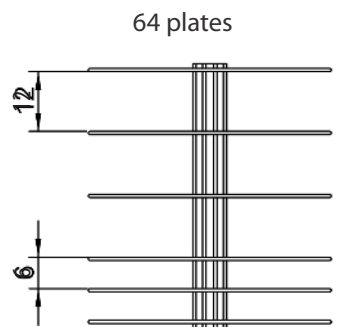
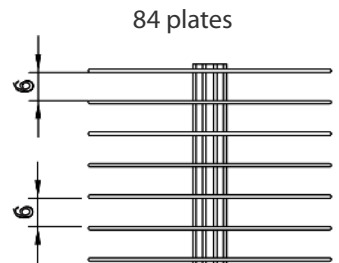
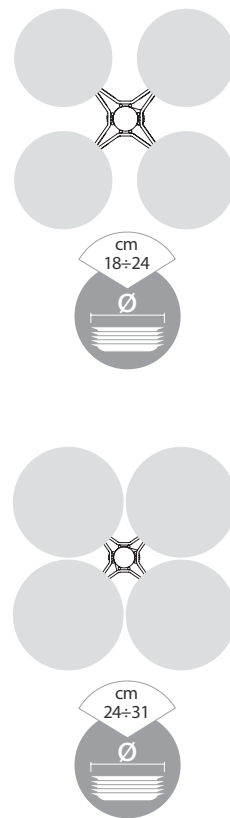
Item 3360G



| Item | Supports | Power | Max dim. (cm) |
|---------|---------------------|----------|---------------|
| 3360G | 15 grill racks | 2000W | 83x77x190 |
| Options | Description | For item | |
| A0054 | 65x65cm grill racks | 3360G | |



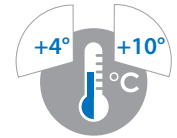
Item 3360P-84



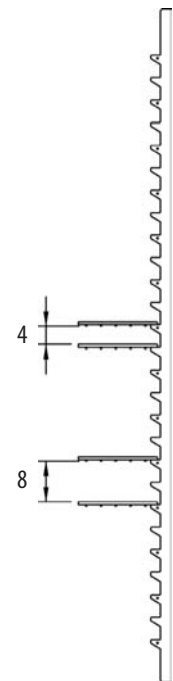
| Item | Supports | Plate ø (cm) | Power | Max dim. (cm) |
|----------|-----------------|--------------|-------|---------------|
| 3360P-40 | 40-plate holder | 18÷24 | 2000W | 83x77x190 |
| 3360P-64 | 64-plate holder | 18÷24 | 2000W | 83x77x190 |
| 3360P-84 | 84-plate holder | 18÷24 | 2000W | 83x77x190 |
| 3361P-40 | 40-plate holder | 24÷31 | 2000W | 83x77x190 |
| 3361P-64 | 64-plate holder | 24÷31 | 2000W | 83x77x190 |
| 3361P-84 | 84-plate holder | 24÷31 | 2000W | 83x77x190 |

CHILLED DISPLAY CASES

- Constructed from composite panels, double skinned, AISI304 stainless steel to interior, having brushed finish and ABS panels to the exterior. Insulated with injected high density expanded polyurethane
- Watertight deep base having ABS panel to the interior and stainless steel to the exterior with drainage aperture
- 180° opening tempered glass doors with no sharp edges and removable PVC door seals for ease of cleaning
- Snap-closing hinges
- Stainless steel tube push bars with PVC brackets
- Interior with racks having runners spaced at 4 cms or plate holders in various capacities and sizes depending on model.
Free-to-be-arranged 65x65cm grill racks (the standard supply includes 15 grill racks spaced at 8 cms)
- Control panel with digital thermostat-thermometer and ON/OFF switch with warning light
- Mains supply: 230V, 50/60 Hz, single-phase
- Static refrigeration
- 3m long coiled power cable
- Operating temperature between 4 °C and 10 °C
- Swivel castors (2 with brake), ø 12.5cm



112

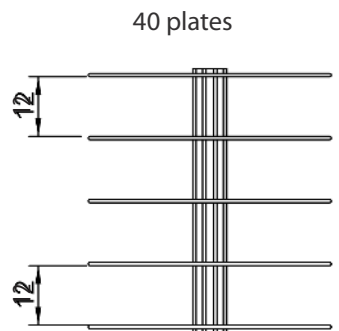
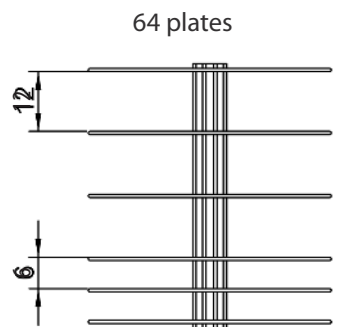
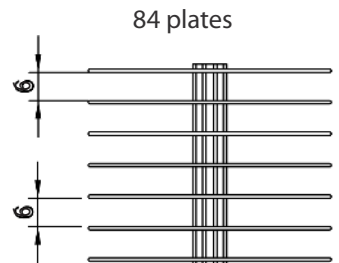
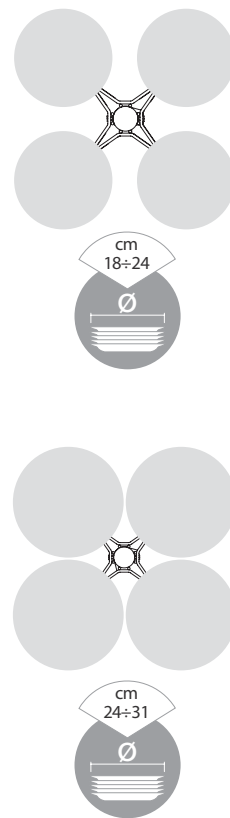


Item 3370G

| Item | Supports | Power | Max dim. (cm) |
|---------|---------------------|----------|---------------|
| 3370G | 15 grill racks | 700W | 83x77x190 |
| Options | Description | For item | |
| A0055 | 65x65cm grill racks | 3370G | |



Item 3370P-84



| Item | Supports | Plate ø (cm) | Power | Max dim. (cm) |
|----------|-----------------|--------------|-------|---------------|
| 3370P-40 | 40-plate holder | 18÷24 | 700W | 83x77x190 |
| 3370P-64 | 64-plate holder | 18÷24 | 700W | 83x77x190 |
| 3370P-84 | 84-plate holder | 18÷24 | 700W | 83x77x190 |
| 3371P-40 | 40-plate holder | 24÷31 | 700W | 83x77x190 |
| 3371P-64 | 64-plate holder | 24÷31 | 700W | 83x77x190 |
| 3371P-84 | 84-plate holder | 24÷31 | 700W | 83x77x190 |

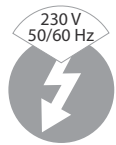
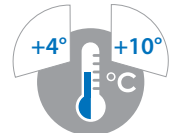
REFRIGERATED SWEET AND CHEESE TROLLEYS

- Solid wood construction with panels and plywood shelf
- Back panel and refrigerated top in AISI 304 stainless steel
- Condensate drain at base of well (drain tap available on request)
- Front opening acrylic dome
- Glass shelf
- Three-compartment cutlery drawer and sliding plate support
- Control panel with digital thermostat-thermometer and ON/OFF switch with warning light
- Mains supply: 230V, 50/60 Hz, single-phase
- Static refrigeration
- Operating temperature between 4 °C and 10 °C
- Swivel castors, ø 10cm

Cherry wood



Wenge



Item 6670

114

| Item | Finish | Power | Max dim. (cm) |
|-------|-------------|-------|---------------|
| 6670 | Cherry wood | 200W | 108x61x112 |
| 6670W | Wenge | 200W | 108x61x112 |

| Options | Description | For item |
|---------|---|----------|
| S1140 | 1 Set with 2 braked castors | All |
| SE140 | 2 Set with 4 resilient castors (2 with brake) | All |





Item 6670W

115

Cutlery drawer



Sliding plate support



| Accessories | | Description | For item |
|-------------|---|--------------------------------------|----------|
| A0037C | 1 | Bottle holder, cherry wood stained | 6670 |
| A0037W | - | Bottle holder, wenge stained | 6670W |
| A0039 | 2 | Push handle | All |
| A0083 | 3 | Folding support, cherry wood stained | 6670 |
| A0083W | - | Folding support, wenge stained | 6670W |



1



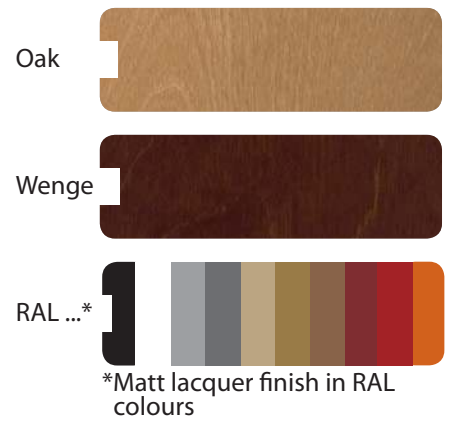
2



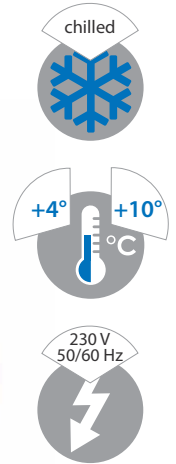
3

REFRIGERATED TROLLEYS

- Solid wood legs coated by AISI 304 stainless steel sheet, brushed finish
- Veneered wood panels
- AISI 304 stainless steel 190mm deep well for up to 150mm deep GN pans (pans sold separately)
- Condensate drain at base of well (drain tap available on request)
- Acrylic dome opening on both sides
- Control panel with digital thermostat-thermometer and ON/OFF switch with warning light
- Mains supply: 230V, 50/60 Hz, single-phase
- Static refrigeration
- Operating temperature between 4 °C and 10 °C
- Swivel castors (2 with brake), ø 12.5cm




Optional pans - see p. 162-163

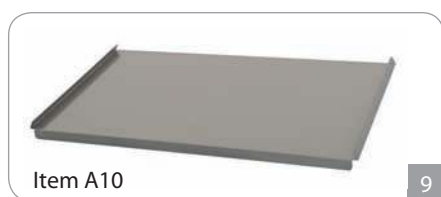


Item 6930.4R + A20(x4)

| Item | Finish | GN | Power | Max dim. (cm) |
|-----------|--------|---------|-------|---------------|
| 6930.2R | Oak | 2 x 1/1 | 320W | 80x68x120 |
| 6930.2W | Wenge | 2 x 1/1 | 320W | 80x68x120 |
| 6930.2RAL | RAL | 2 x 1/1 | 320W | 80x68x120 |
| 6930.3R | Oak | 3 x 1/1 | 360W | 113x68x120 |
| 6930.3W | Wenge | 3 x 1/1 | 360W | 113x68x120 |
| 6930.3RAL | RAL | 3 x 1/1 | 360W | 113x68x120 |
| 6930.4R | Oak | 4 x 1/1 | 470W | 161x68x120 |
| 6930.4W | Wenge | 4 x 1/1 | 470W | 161x68x120 |
| 6930.4RAL | RAL | 4 x 1/1 | 470W | 161x68x120 |



| Item |  | Description |
|-------|---|------------------------|
| A0066 | | Push handle |
| A10 | 9 | 1/1 GN flat |
| A20 | 10 | 1/1 GN perforated flat |



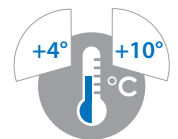
| | |
|---------|--|
| A100R | Lateral fixed wooden shelf, oak stained |
| A100W | Lateral fixed wooden shelf, wenge stained |
| A100RAL | Lateral fixed wooden shelf, RAL-colour matt lacquer |
| A112R | Front drop-down wooden shelf, oak stained, 2 x 1/1 GN |
| A112W | Front drop-down wooden shelf, wenge stained, 2 x 1/1 GN |
| A112RAL | Front drop-down wooden shelf, RAL-colour matt lacquer, 2 x 1/1 GN |
| A113R | Front drop-down wooden shelf, oak stained, 3 x 1/1 GN |
| A113W | Front drop-down wooden shelf, wenge stained, 3 x 1/1 GN |
| A113RAL | Front drop-down wooden shelf, RAL-colour matt lacquer, 3 x 1/1 GN |
| A114R | Front drop-down wooden shelf, oak stained, 4 x 1/1 GN |
| A114W | Front drop-down wooden shelf, wenge stained, 4 x 1/1 GN |
| A114RAL | Front drop-down wooden shelf, RAL-colour matt lacquer, 4 x 1/1 GN |
| A120R | Lateral fixed wooden shelf, oak stained with tray slide |
| A120W | Lateral fixed wooden shelf, wenge stained with tray slide |
| A120RAL | Lateral fixed wooden shelf, RAL-colour matt lacquer, with tray slide |
| A122R | Front drop-down wooden shelf, oak stained, 2 x 1/1 GN, with tray slide |
| A122W | Front drop-down wooden shelf, wenge stained, 2 x 1/1 GN, with tray slide |
| A122RAL | Front drop-down wooden shelf, RAL-colour matt lacquer, 2 x 1/1 GN, with tray slide |
| A123R | Front drop-down wooden shelf, oak stained, 3 x 1/1 GN, with tray slide |
| A123W | Front drop-down wooden shelf, wenge stained, 3 x 1/1 GN, with tray slide |
| A123RAL | Front drop-down wooden shelf, RAL-colour matt lacquer, 3x1/1 GN, with tray slide |
| A124R | Front drop-down wooden shelf, oak stained, 4 x 1/1 GN, with tray slide |
| A124W | Front drop-down wooden shelf, wenge stained, 4 x 1/1 GN, with tray slide |
| A124RAL | Front drop-down wooden shelf, RAL-colour matt lacquer, 4 x 1/1 GN, with tray slide |

REFRIGERATED TROLLEYS

- Solid wood legs coated by AISI 304 stainless steel sheet, brushed finish
- Veneered wood panels
- AISI 304 stainless steel 190mm deep well for up to 150mm deep GN pans (pans sold separately)
- Condensate drain at base of well (drain tap available on request)
- Front opening acrylic dome with wooden shelf at the top
- Control panel with digital thermostat-thermometer and ON/OFF switch with warning light
- Mains supply: 230V, 50/60 Hz, single-phase
- Static refrigeration
- Operating temperature between 4 °C and 10 °C
- Swivel castors (2 with brake), ø 12.5cm



Optional pans - see p. 162-163




Item 6940.4R + pans

118

| Item | Finish | GN | Power | Max dim. (cm) |
|-----------|--------|---------|-------|---------------|
| 6940.2R | Oak | 2 x 1/1 | 320W | 80x68x122 |
| 6940.2W | Wenge | 2 x 1/1 | 320W | 80x68x122 |
| 6940.2RAL | RAL | 2 x 1/1 | 320W | 80x68x122 |
| 6940.3R | Oak | 3 x 1/1 | 360W | 113x68x122 |
| 6940.3W | Wenge | 3 x 1/1 | 360W | 113x68x122 |
| 6940.3RAL | RAL | 3 x 1/1 | 360W | 113x68x122 |
| 6940.4R | Oak | 4 x 1/1 | 470W | 161x68x122 |
| 6940.4W | Wenge | 4 x 1/1 | 470W | 161x68x122 |
| 6940.4RAL | RAL | 4 x 1/1 | 470W | 161x68x122 |



| Item |  | Description |
|-------|---|------------------------|
| A0066 | - | Push handle |
| A10 | 9 | 1/1 GN flat |
| A20 | 10 | 1/1 GN perforated flat |

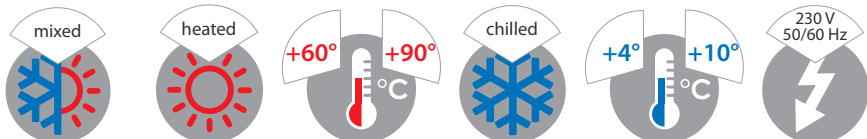


| | |
|---------|--|
| A100R | Lateral fixed wooden shelf, oak stained |
| A100W | Lateral fixed wooden shelf, wenge stained |
| A100RAL | Lateral fixed wooden shelf, RAL-colour matt lacquer |
| A112R | Front drop-down wooden shelf, oak stained, 2 x 1/1 GN |
| A112W | Front drop-down wooden shelf, wenge stained, 2 x 1/1 GN |
| A112RAL | Front drop-down wooden shelf, RAL-colour matt lacquer, 2 x 1/1 GN |
| A113R | Front drop-down wooden shelf, oak stained, 3 x 1/1 GN |
| A113W | Front drop-down wooden shelf, wenge stained, 3 x 1/1 GN |
| A113RAL | Front drop-down wooden shelf, RAL-colour matt lacquer, 3 x 1/1 GN |
| A114R | Front drop-down wooden shelf, oak stained, 4 x 1/1 GN |
| A114W | Front drop-down wooden shelf, wenge stained, 4 x 1/1 GN |
| A114RAL | Front drop-down wooden shelf, RAL-colour matt lacquer, 4 x 1/1 GN |
| A120R | Lateral fixed wooden shelf, oak stained with tray slide |
| A120W | Lateral fixed wooden shelf, wenge stained with tray slide |
| A120RAL | Lateral fixed wooden shelf, RAL-colour matt lacquer, with tray slide |
| A122R | Front drop-down wooden shelf, oak stained, 2 x 1/1 GN, with tray slide |
| A122W | Front drop-down wooden shelf, wenge stained, 2 x 1/1 GN, with tray slide |
| A122RAL | Front drop-down wooden shelf, RAL-colour matt lacquer, 2 x 1/1 GN, with tray slide |
| A123R | Front drop-down wooden shelf, oak stained, 3 x 1/1 GN, with tray slide |
| A123W | Front drop-down wooden shelf, wenge stained, 3 x 1/1 GN, with tray slide |
| A123RAL | Front drop-down wooden shelf, RAL-colour matt lacquer, 3x1/1 GN, with tray slide |
| A124R | Front drop-down wooden shelf, oak stained, 4 x 1/1 GN, with tray slide |
| A124W | Front drop-down wooden shelf, wenge stained, 4 x 1/1 GN, with tray slide |
| A124RAL | Front drop-down wooden shelf, RAL-colour matt lacquer, 4 x 1/1 GN, with tray slide |

PRESENTATION OF HOT AND CHILLED BUFFET MOBILE COUNTERS

A new range of buffet mobile counters with chilled, heated or mixed elements suitable for GN use – from 2 x 1/1 to 6 x 1/1 – available in a number of original colours and finishes.

The new multifunctional buffet mobile counters can be used to display hot or cold food, ensuring controlled temperature throughout the duration of the service. The modular elements mix and match to create a whole self-service line.



*Matt lacquer finish in RAL colours

120



PRESENTATION OF HOT AND CHILLED BUFFET MOBILE COUNTERS



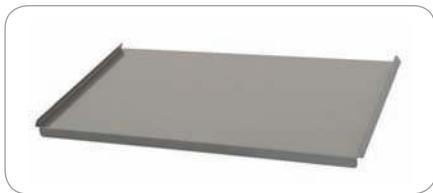
Wooden cover with or without rails to fit to the stainless steel overshelf



Infrared overhead gantry



Adjustable lift-up sneeze guard



1/1 GN flat



1/1 GN perforated flat



Lateral fixed wood shelf/support



Drop-down wood shelf/support



Wooden shelves with inlaid tray slide



Stainless steel sheet shelves



Stainless steel rodded tray slides

CHILLED BUFFET MOBILE COUNTERS WITH FIXED SNEEZE GUARD - FLUORESCENT LIGHTING

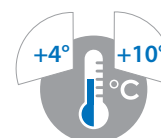
- Solid wood legs coated by AISI 304 stainless steel sheet, brushed finish
- Veneered wood panels
- AISI 304 stainless steel 190mm deep well for up to 150mm deep GN pans (pans sold separately)
- Condensate drain at base of well (drain tap available on request)
- Stainless steel overhead gantry (optional wooden cover and set of rails)
- Fixed acrylic sneeze guard
- Fluorescent lighting
- Control panel with digital thermostat-thermometer and ON/OFF switch with warning light
- Mains supply: 230V, 50/60 Hz, single-phase
- Static refrigeration
- Operating temperature between 4 °C and 10 °C
- Swivel castors (2 with brake), ø 12.5cm



*Matt lacquer finish in RAL colours

Accessories and complementary elements - see p.136 - 139

Optional pans - see p. 162-163



122



Item 6900.4-W + A124W(x2) + A20(x4)



Item 6900.4-W+A20(x4)

| Item | Finish | GN | Power | Max dim. (cm) |
|------------|--------|---------|-------|---------------|
| 6900.2-R | Oak | 2 x 1/1 | 335W | 80x68x144 |
| 6900.2-W | Wenge | 2 x 1/1 | 335W | 80x68x144 |
| 6900.2-RAL | RAL | 2 x 1/1 | 335W | 80x68x144 |
| 6900.3-R | Oak | 3 x 1/1 | 385W | 113x68x144 |
| 6900.3-W | Wenge | 3 x 1/1 | 385W | 113x68x144 |
| 6900.3-RAL | RAL | 3 x 1/1 | 385W | 113x68x144 |
| 6900.4-R | Oak | 4 x 1/1 | 500W | 161x68x144 |
| 6900.4-W | Wenge | 4 x 1/1 | 500W | 161x68x144 |
| 6900.4-RAL | RAL | 4 x 1/1 | 500W | 161x68x144 |
| 6900.5-R | Oak | 5 x 1/1 | 570W | 193x68x144 |
| 6900.5-W | Wenge | 5 x 1/1 | 570W | 193x68x144 |
| 6900.5-RAL | RAL | 5 x 1/1 | 570W | 193x68x144 |
| 6900.6-R | Oak | 6 x 1/1 | 625W | 226x68x144 |
| 6900.6-W | Wenge | 6 x 1/1 | 625W | 226x68x144 |
| 6900.6-RAL | RAL | 6 x 1/1 | 625W | 226x68x144 |

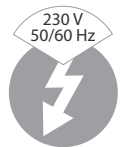
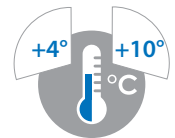
CHILLED BUFFET MOBILE COUNTERS WITH ADJUSTABLE SNEEZE GUARD - FLUORESCENT LIGHTING

- Solid wood legs coated by AISI 304 stainless steel sheet, brushed finish
- Veneered wood panels
- AISI 304 stainless steel 190mm deep well for up to 150mm deep GN pans (pans sold separately)
- Condensate drain at base of well (drain tap available on request)
- Stainless steel overhead gantry (optional wooden cover and set of rails)
- Height adjustable sneeze guard in tempered glass
- Fluorescent lighting
- Control panel with digital thermostat-thermometer and ON/OFF switch with warning light
- Mains supply: 230V, 50/60 Hz, single-phase
- Static refrigeration
- Operating temperature between 4 °C and 10 °C
- Swivel castors (2 with brake), ø 12.5cm



Accessories and complementary elements - see p.136 - 139

Optional pans - see p. 162-163



124

| Item | Finish | GN | Power | Max dim. (cm) |
|-------------|--------|---------|-------|---------------|
| 6900.2M-R | Oak | 2 x 1/1 | 335W | 80x68x144 |
| 6900.2M-W | Wenge | 2 x 1/1 | 335W | 80x68x144 |
| 6900.2M-RAL | RAL | 2 x 1/1 | 335W | 80x68x144 |
| 6900.3M-R | Oak | 3 x 1/1 | 385W | 113x68x144 |
| 6900.3M-W | Wenge | 3 x 1/1 | 385W | 113x68x144 |
| 6900.3M-RAL | RAL | 3 x 1/1 | 385W | 113x68x144 |
| 6900.4M-R | Oak | 4 x 1/1 | 500W | 161x68x144 |
| 6900.4M-W | Wenge | 4 x 1/1 | 500W | 161x68x144 |
| 6900.4M-RAL | RAL | 4 x 1/1 | 500W | 161x68x144 |
| 6900.5M-R | Oak | 5 x 1/1 | 570W | 193x68x144 |
| 6900.5M-W | Wenge | 5 x 1/1 | 570W | 193x68x144 |
| 6900.5M-RAL | RAL | 5 x 1/1 | 570W | 193x68x144 |
| 6900.6M-R | Oak | 6 x 1/1 | 625W | 226x68x144 |
| 6900.6M-W | Wenge | 6 x 1/1 | 625W | 226x68x144 |
| 6900.6M-RAL | RAL | 6 x 1/1 | 625W | 226x68x144 |



Item 6900.4M-R + A124R(x2) + pans



Item 6900.4M-R + A124R(x2) + pans

HOT BUFFET MOBILE COUNTERS WITH FIXED SNEEZE GUARD – FLUORESCENT LIGHTING

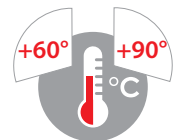
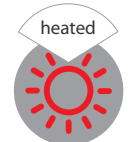
- Solid wood legs coated by AISI 304 stainless steel sheet, brushed finish
- Veneered wood panels
- AISI 304 stainless steel 190mm deep well for up to 150mm deep GN pans (pans sold separately)
- Bain-marie drain plug
- Stainless steel overhead gantry (optional wooden cover and set of rails)
- Fixed acrylic sneeze guard
- Fluorescent lighting
- Control panel with digital thermostat-thermometer and ON/OFF switch with warning light
- Mains supply: 230V, 50/60 Hz, single-phase
- Dry heating element underneath the well
- Operating temperature between 60 °C and 90 °C
- Swivel castors (2 with brake), ø 12.5cm



*Matt lacquer finish in RAL colours

Accessories and complementary elements - see p.136 - 139

Optional pans - see p. 162-163





Item 6910.4-W + A124W(x2) + A20 + pans

| Item | Finish | GN | Power | Max dim. (cm) |
|------------|--------|---------|-------|---------------|
| 6910.2-R | Oak | 2 x 1/1 | 1213W | 80x68x144 |
| 6910.2-W | Wenge | 2 x 1/1 | 1213W | 80x68x144 |
| 6910.2-RAL | RAL | 2 x 1/1 | 1213W | 80x68x144 |
| 6910.3-R | Oak | 3 x 1/1 | 1821W | 113x68x144 |
| 6910.3-W | Wenge | 3 x 1/1 | 1821W | 113x68x144 |
| 6910.3-RAL | RAL | 3 x 1/1 | 1821W | 113x68x144 |
| 6910.4-R | Oak | 4 x 1/1 | 2428W | 161x68x144 |
| 6910.4-W | Wenge | 4 x 1/1 | 2428W | 161x68x144 |
| 6910.4-RAL | RAL | 4 x 1/1 | 2428W | 161x68x144 |
| 6910.5-R | Oak | 5 x 1/1 | 3035W | 193x68x144 |
| 6910.5-W | Wenge | 5 x 1/1 | 3035W | 193x68x144 |
| 6910.5-RAL | RAL | 5 x 1/1 | 3035W | 193x68x144 |
| 6910.6-R | Oak | 6 x 1/1 | 3642W | 226x68x144 |
| 6910.6-W | Wenge | 6 x 1/1 | 3642W | 226x68x144 |
| 6910.6-RAL | RAL | 6 x 1/1 | 3642W | 226x68x144 |

HOT BUFFET MOBILE COUNTERS WITH FIXED SNEEZE GUARD - INFRARED LAMPS

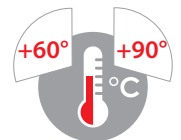
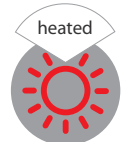
- Solid wood legs coated by AISI 304 stainless steel sheet, brushed finish
- Veneered wood panels
- AISI 304 stainless steel 190mm deep well for up to 150mm deep GN pans (pans sold separately)
- Bain-marie drain plug
- Stainless steel overhead gantry (optional wooden cover and set of rails)
- Fixed acrylic sneeze guard
- Lighting by infrared overhead gantry
- Control panel with digital thermostat-thermometer and ON/OFF switch with warning light
- Mains supply: 230V, 50/60 Hz, single-phase
- Dry heating element underneath the well
- Operating temperature between 60 °C and 90 °C
- Swivel castors (2 with brake), ø 12.5cm



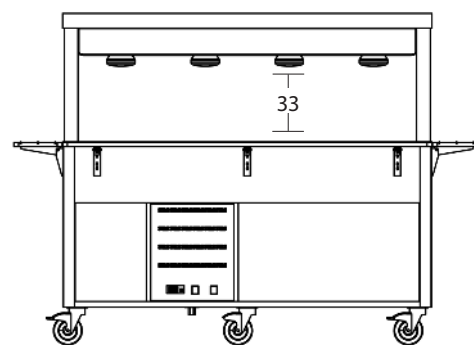
*Matt lacquer finish in RAL colours

Accessories and complementary elements - see p.136 - 139

Optional pans - see p. 162-163



Item 6910.4L-W+A124W(x2)+A20(x2) + pans



Item 6910.3L-W + pans

| Item | Finish | GN | Power | Max dim. (cm) |
|-------------|--------|---------|-------|---------------|
| 6910.2L-R | Oak | 2 x 1/1 | 1700W | 80x68x144 |
| 6910.2L-W | Wenge | 2 x 1/1 | 1700W | 80x68x144 |
| 6910.2L-RAL | RAL | 2 x 1/1 | 1700W | 80x68x144 |
| 6910.3L-R | Oak | 3 x 1/1 | 2550W | 113x68x144 |
| 6910.3L-W | Wenge | 3 x 1/1 | 2550W | 113x68x144 |
| 6910.3L-RAL | RAL | 3 x 1/1 | 2550W | 113x68x144 |
| 6910.4L-R | Oak | 4 x 1/1 | 3400W | 161x68x144 |
| 6910.4L-W | Wenge | 4 x 1/1 | 3400W | 161x68x144 |
| 6910.4L-RAL | RAL | 4 x 1/1 | 3400W | 161x68x144 |
| 6910.5L-R | Oak | 5 x 1/1 | 4250W | 193x68x144 |
| 6910.5L-W | Wenge | 5 x 1/1 | 4250W | 193x68x144 |
| 6910.5L-RAL | RAL | 5 x 1/1 | 4250W | 193x68x144 |
| 6910.6L-R | Oak | 6 x 1/1 | 5100W | 226x68x144 |
| 6910.6L-W | Wenge | 6 x 1/1 | 5100W | 226x68x144 |
| 6910.6L-RAL | RAL | 6 x 1/1 | 5100W | 226x68x144 |

HOT BUFFET MOBILE COUNTERS WITH ADJUSTABLE SNEEZE GUARD - FLUORESCENT LIGHTING

- Solid wood legs coated by AISI 304 stainless steel sheet, brushed finish
- Veneered wood panels
- AISI 304 stainless steel 190mm deep well for up to 150mm deep GN pans (pans sold separately)
- Bain-marie drain plug
- Stainless steel overhead gantry (optional wooden cover and set of rails)
- Height adjustable sneeze guard in tempered glass
- Fluorescent lighting
- Control panel with digital thermostat-thermometer and ON/OFF switch with warning light
- Mains supply: 230V, 50/60 Hz, single-phase
- Dry heating element underneath the well
- Operating temperature between 60 °C and 90 °C
- Swivel castors (2 with brake), ø 12.5cm

Oak



Wenge



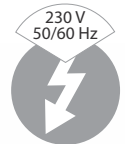
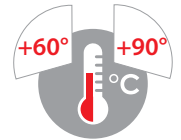
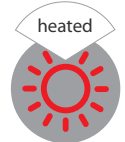
RAL ...*



*Matt lacquer finish in RAL colours

Accessories and complementary elements - see p.136 - 139

Optional pans - see p. 162-163



130



Item 6910.4M-R + A124R(x2) + pans



Item 6910.4M-R + A124R(x2) + pans

| Item | Finish | GN | Power | Max dim. (cm) |
|-------------|--------|---------|-------|---------------|
| 6910.2M-R | Oak | 2 x 1/1 | 1213W | 80x68x144 |
| 6910.2M-W | Wenge | 2 x 1/1 | 1213W | 80x68x144 |
| 6910.2M-RAL | RAL | 2 x 1/1 | 1213W | 80x68x144 |
| 6910.3M-R | Oak | 3 x 1/1 | 1821W | 113x68x144 |
| 6910.3M-W | Wenge | 3 x 1/1 | 1821W | 113x68x144 |
| 6910.3M-RAL | RAL | 3 x 1/1 | 1821W | 113x68x144 |
| 6910.4M-R | Oak | 4 x 1/1 | 2428W | 161x68x144 |
| 6910.4M-W | Wenge | 4 x 1/1 | 2428W | 161x68x144 |
| 6910.4M-RAL | RAL | 4 x 1/1 | 2428W | 161x68x144 |
| 6910.5M-R | Oak | 5 x 1/1 | 3035W | 193x68x144 |
| 6910.5M-W | Wenge | 5 x 1/1 | 3035W | 193x68x144 |
| 6910.5M-RAL | RAL | 5 x 1/1 | 3035W | 193x68x144 |
| 6910.6M-R | Oak | 6 x 1/1 | 3642W | 226x68x144 |
| 6910.6M-W | Wenge | 6 x 1/1 | 3642W | 226x68x144 |
| 6910.6M-RAL | RAL | 6 x 1/1 | 3642W | 226x68x144 |

MIXED HOT/CHILLED BUFFET MOBILE COUNTERS WITH FIXED SNEEZE GUARD

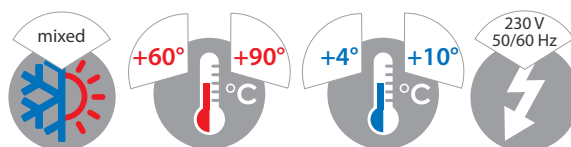
- Solid wood legs coated by AISI 304 stainless steel sheet, brushed finish
- Veneered wood panels
- AISI 304 stainless steel 190mm deep well for up to 150mm deep GN pans (pans sold separately)
- Bain-marie drain tap for the heated part and condensate drip tray inside the motor compartment for the chilled part (with tap available on request)
- Stainless steel overhead gantry (optional wooden cover and set of rails)
- Fixed acrylic sneeze guard
- Fluorescent lighting
- Control panel with digital thermostat-thermometer and ON/OFF switch with warning light
- Mains supply: 230V, 50/60 Hz, single-phase
- Dry heating element underneath the well (heated compartments)
- Static refrigeration (chilled compartments)
- Operating temperature: 4 °C to 10 °C (chilled compartments), and 60 °C to 90 °C (heated compartments)
- Swivel castors (2 with brake), ø 12.5cm



*Matt lacquer finish in RAL colours

Accessories and complementary elements - see p.136 - 139

Optional pans - see p. 162-163



132



Item 6920.6F3-R + A226R + A206

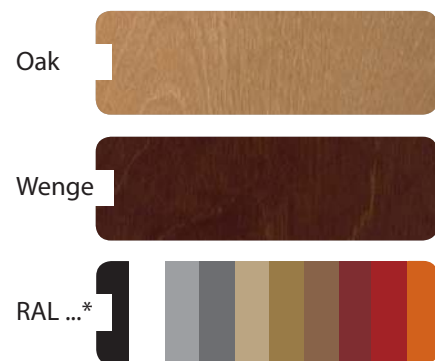


Item 6920.6F3-W + A126W(x2) + A20(x6)

| Item | Finish | GN compartments | Power | Max dim. (cm) |
|--------------|--------|----------------------|-------|---------------|
| 6920.4F2-R | Oak | 2 heated - 2 chilled | 1550W | 161X68X144 |
| 6920.4F2-W | Wenge | 2 heated - 2 chilled | 1550W | 161X68X144 |
| 6920.4F2-RAL | RAL | 2 heated - 2 chilled | 1550W | 161X68X144 |
| 6920.5F2-R | Oak | 3 heated - 2 chilled | 2155W | 193X68X144 |
| 6920.5F2-W | Wenge | 3 heated - 2 chilled | 2155W | 193X68X144 |
| 6920.5F2-RAL | RAL | 3 heated - 2 chilled | 2155W | 193X68X144 |
| 6920.5F3-R | Oak | 2 heated - 3 chilled | 1595W | 193X68X144 |
| 6920.5F3-W | Wenge | 2 heated - 3 chilled | 1595W | 193X68X144 |
| 6920.5F3-RAL | RAL | 2 heated - 3 chilled | 1595W | 193X68X144 |
| 6920.6F3-R | Oak | 3 heated - 3 chilled | 2205W | 226X68X144 |
| 6920.6F3-W | Wenge | 3 heated - 3 chilled | 2205W | 226X68X144 |
| 6920.6F3-RAL | RAL | 3 heated - 3 chilled | 2205W | 226X68X144 |

MIXED HOT/CHILLED BUFFET MOBILE COUNTERS WITH ADJUSTABLE SNEEZE GUARD

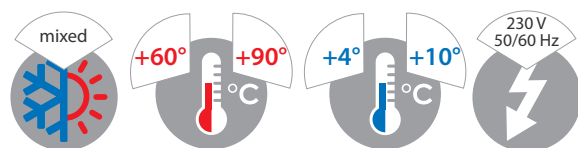
- Solid wood legs coated by AISI 304 stainless steel sheet, brushed finish
- Veneered wood panels
- AISI 304 stainless steel 190mm deep well for up to 150mm deep GN pans (pans sold separately)
- Bain-marie drain tap for the heated part and condensate drip tray inside the motor compartment for the chilled part (with tap available on request)
- Stainless steel overhead gantry (optional wooden cover and set of rails)
- Height adjustable sneeze guard in tempered glass
- Fluorescent lighting
- Control panel with digital thermostat-thermometer and ON/OFF switch with warning light
- Mains supply: 230V, 50/60 Hz, single-phase
- Dry heating element underneath the well (heated compartments)
- Static refrigeration (chilled compartments)
- Operating temperature: 4 °C to 10 °C (chilled compartments), and 60 °C to 90 °C (heated compartments)
- Swivel castors (2 with brake), ø 12.5cm



*Matt lacquer finish in RAL colours

Accessories and complementary elements - see p.136 - 139

Optional pans - see p. 162-163



134



Item 6920.6F3M-W + A126W(x2) + pans



Item 6920.6F3M-W +A126W(x2) + pans

| Item | Finish | GN compartments | Power | Max dim. (cm) |
|---------------|--------|----------------------|-------|---------------|
| 6920.4F2M-R | Oak | 2 heated - 2 chilled | 1550W | 161X68X144 |
| 6920.4F2M-W | Wenge | 2 heated - 2 chilled | 1550W | 161X68X144 |
| 6920.4F2M-RAL | RAL | 2 heated - 2 chilled | 1550W | 161X68X144 |
| 6920.5F2M-R | Oak | 3 heated - 2 chilled | 2155W | 193X68X144 |
| 6920.5F2M-W | Wenge | 3 heated - 2 chilled | 2155W | 193X68X144 |
| 6920.5F2M-RAL | RAL | 3 heated - 2 chilled | 2155W | 193X68X144 |
| 6920.5F3M-R | Oak | 2 heated - 3 chilled | 1595W | 193X68X144 |
| 6920.5F3M-W | Wenge | 2 heated - 3 chilled | 1595W | 193X68X144 |
| 6920.5F3M-RAL | RAL | 2 heated - 3 chilled | 1595W | 193X68X144 |
| 6920.6F3M-R | Oak | 3 heated - 3 chilled | 2205W | 226X68X144 |
| 6920.6F3M-W | Wenge | 3 heated - 3 chilled | 2205W | 226X68X144 |
| 6920.6F3M-RAL | RAL | 3 heated - 3 chilled | 2205W | 226X68X144 |

BUFFET COUNTER ACCESSORIES

| Accessories | | | Description |
|-------------|--------------|------------|--|
| <i>Oak</i> | <i>Wenge</i> | <i>RAL</i> | |
| A120R | A120W | | Lateral fixed shelf, with tray slide |
| A122R | A122W | | Front drop-down shelf, 2 x 1/1 GN, with tray slide |
| A123R | A123W | | Front drop-down shelf, 3 x 1/1 GN, with tray slide |
| A124R | A124W | | Front drop-down shelf, 4 x 1/1 GN, with tray slide |
| A125R | A125W | | Front drop-down shelf, 5 x 1/1 GN, with tray slide |
| A126R | A126W | | Front drop-down shelf, 6 x 1/1 GN, with tray slide |
| | | A120RAL | Lateral fixed shelf, with tray slide |
| | | A122RAL | Front drop-down shelf, 2 x 1/1 GN, with tray slide |
| | | A123RAL | Front drop-down shelf, 3 x 1/1 GN, with tray slide |
| | | A124RAL | Front drop-down shelf, 4 x 1/1 GN, with tray slide |
| | | A125RAL | Front drop-down shelf, 5 x 1/1 GN, with tray slide |
| | | A126RAL | Front drop-down shelf, 6 x 1/1 GN, with tray slide |
| A100R | A100W | | Lateral fixed shelf |
| A112R | A112W | | Front drop-down shelf, 2 x 1/1 GN |
| A113R | A113W | | Front drop-down shelf, 3 x 1/1 GN |
| A114R | A114W | | Front drop-down shelf, 4 x 1/1 GN |
| A115R | A115W | | Front drop-down shelf, 5 x 1/1 GN |
| A116R | A116W | | Front drop-down shelf, 6 x 1/1 GN |
| | | A100RAL | Lateral fixed shelf |
| | | A112RAL | Front drop-down shelf, 2 x 1/1 GN |
| | | A113RAL | Front drop-down shelf, 3 x 1/1 GN |
| | | A114RAL | Front drop-down shelf, 4 x 1/1 GN |
| | | A115RAL | Front drop-down shelf, 5 x 1/1 GN |
| | | A116RAL | Front drop-down shelf, 6 x 1/1 GN |

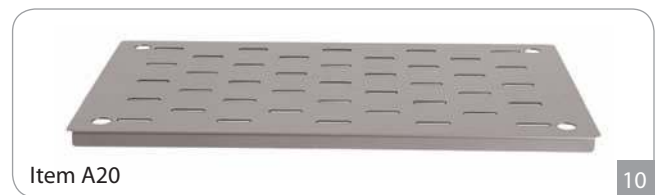
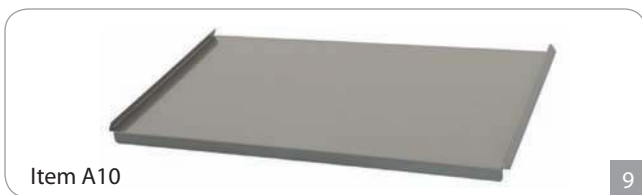
136



| Accessories | | | Description |
|-------------|-------|---------|---|
| Oak | Wenge | RAL | |
| A222R | A222W | | 1 Wooden top cover, 2 x 1/1 GN |
| A223R | A223W | | 1 Wooden top cover, 3 x 1/1 GN |
| A224R | A224W | | 1 Wooden top cover, 4 x 1/1 GN |
| A225R | A225W | | 1 Wooden top cover, 5 x 1/1 GN |
| A226R | A226W | | 1 Wooden top cover, 6 x 1/1 GN |
| | | A222RAL | 1 Wooden top cover, 2 x 1/1 GN |
| | | A223RAL | 1 Wooden top cover, 3 x 1/1 GN |
| | | A224RAL | 1 Wooden top cover, 4 x 1/1 GN |
| | | A225RAL | 1 Wooden top cover, 5 x 1/1 GN |
| | | A226RAL | 1 Wooden top cover, 6 x 1/1 GN |
| A202 | | | 1 Set of rails for wooden top cover, 2 x 1/1 GN |
| A203 | | | 1 Set of rails for wooden top cover, 3 x 1/1 GN |
| A204 | | | 1 Set of rails for wooden top cover, 4 x 1/1 GN |
| A205 | | | 1 Set of rails for wooden top cover, 5 x 1/1 GN |
| A206 | | | 1 Set of rails for wooden top cover, 6 x 1/1 GN |



| Accessories | | Description |
|-------------|----|------------------------|
| A10 | 9 | 1/1 GN flat |
| A20 | 10 | 1/1 GN perforated flat |



| Accessories | | Description |
|-------------|---|---|
| A132 | 7 | Front drop-down stainless steel shelf, 2x1/1 GN |
| A133 | 7 | Front drop-down stainless steel shelf, 3x1/1 GN |
| A134 | 7 | Front drop-down stainless steel shelf, 4x1/1 GN |
| A135 | 7 | Front drop-down stainless steel shelf, 5x1/1 GN |
| A136 | 7 | Front drop-down stainless steel shelf, 6x1/1 GN |
| A142 | 8 | Front drop-down stainless steel rodded tray slide, 2x1/1 GN |
| A143 | 8 | Front drop-down stainless steel rodded tray slide, 3x1/1 GN |
| A144 | 8 | Front drop-down stainless steel rodded tray slide, 4x1/1 GN |
| A145 | 8 | Front drop-down stainless steel rodded tray slide, 5x1/1 GN |
| A146 | 8 | Front drop-down stainless steel rodded tray slide, 6x1/1 GN |



BUFFET COUNTER COMPLEMENTARY ELEMENTS

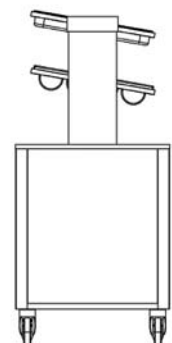
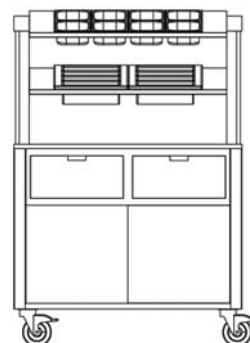
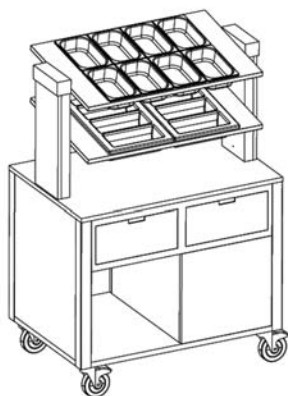
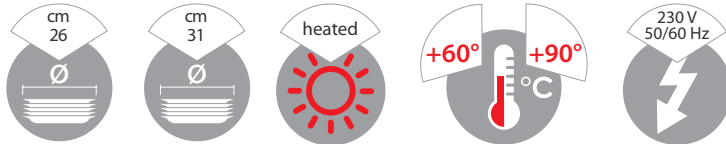
A triangular corner unit and various end of counter mobile cabinets for plates, trays and cutlery. These complement the buffet display units and utilize valuable corner space.

The mobile cabinets can be fitted with a wide range of accessories: plate dispensers and lowerators, drawers, doors, open compartments and shelves for trays/glasses/cutlery.

- Solid wood legs coated by AISI 304 stainless steel sheet, brushed finish
- Veneered wood panels
- Swivel castors (2 with brake), ø 12.5cm

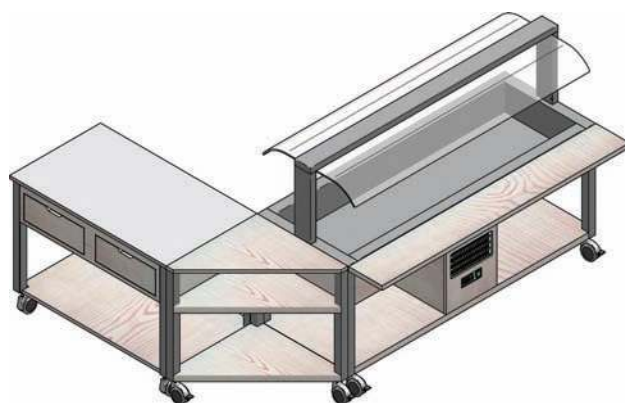


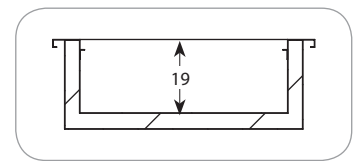
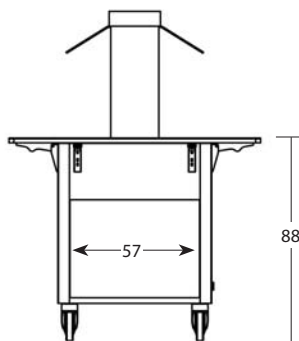
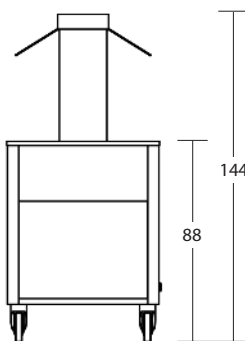
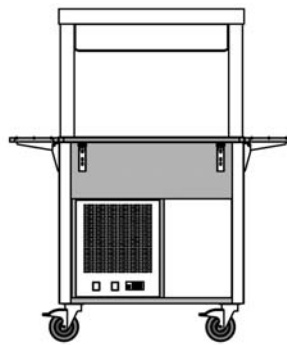
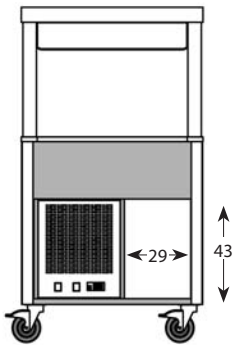
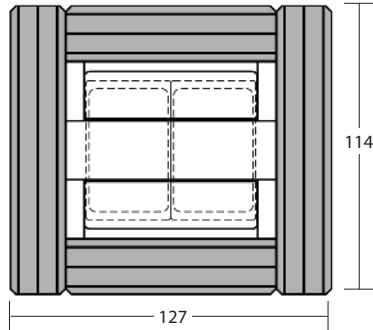
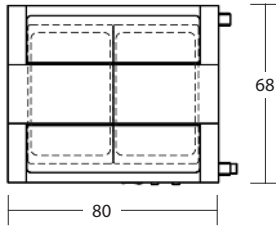
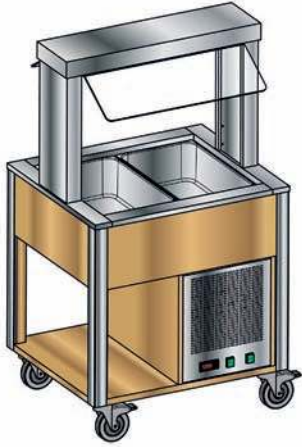
*Matt lacquer finish in RAL colours

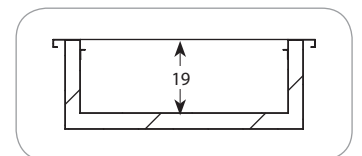
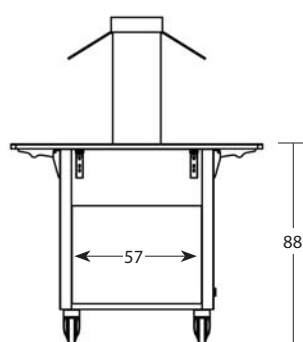
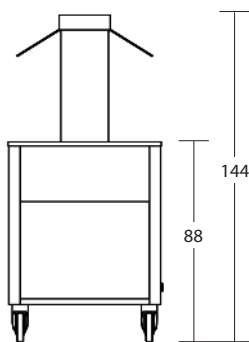
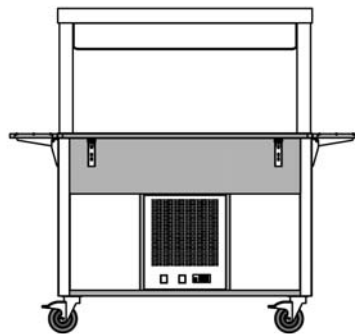
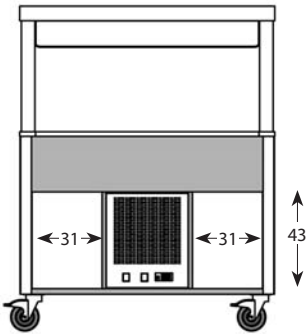
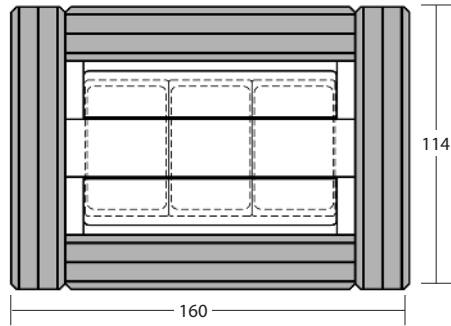
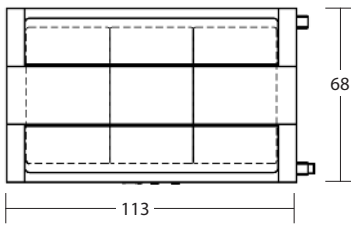
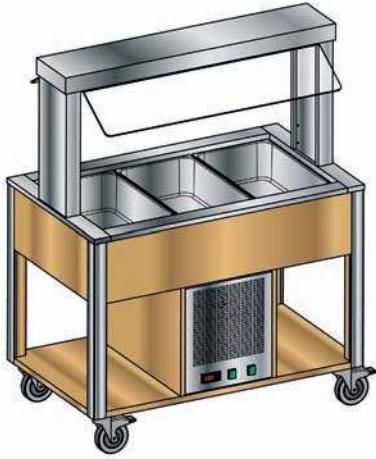


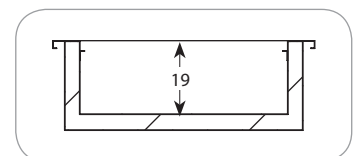
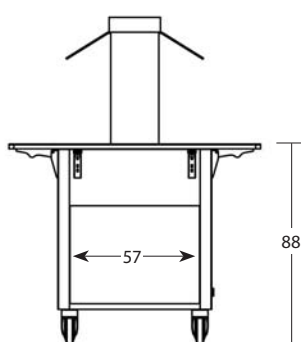
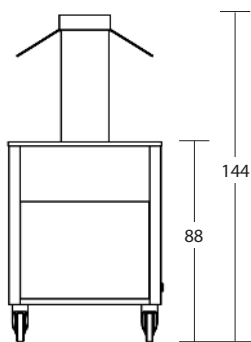
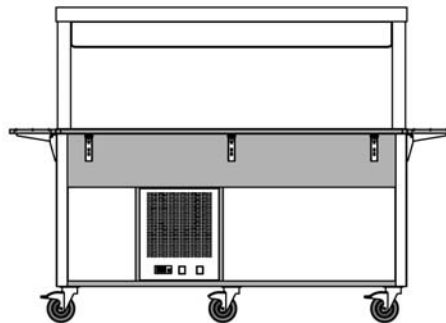
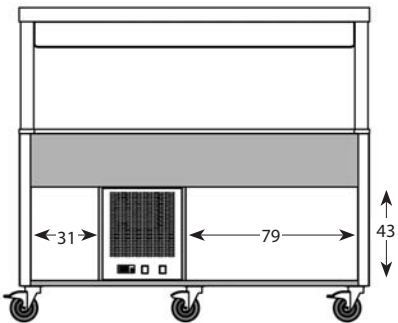
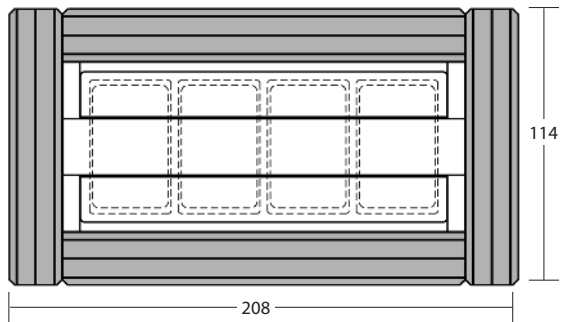
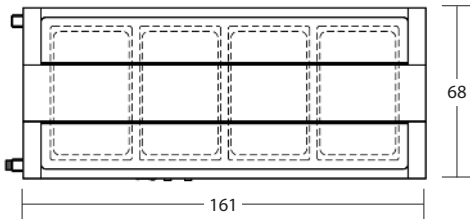


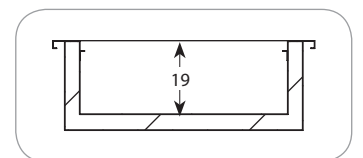
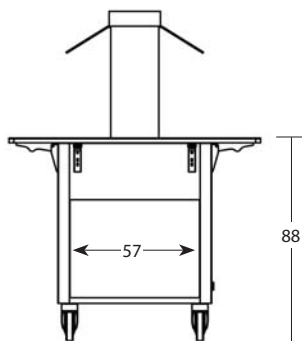
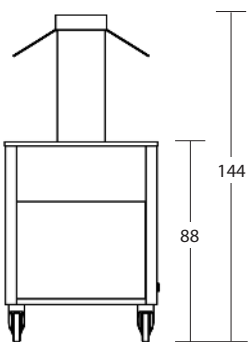
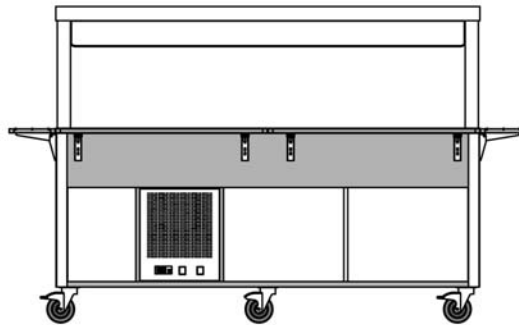
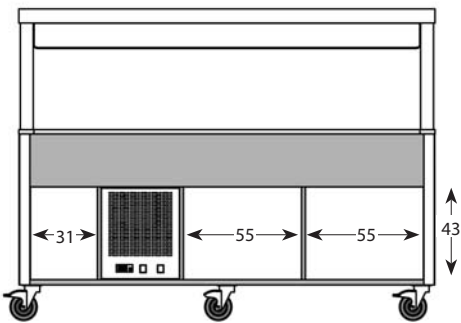
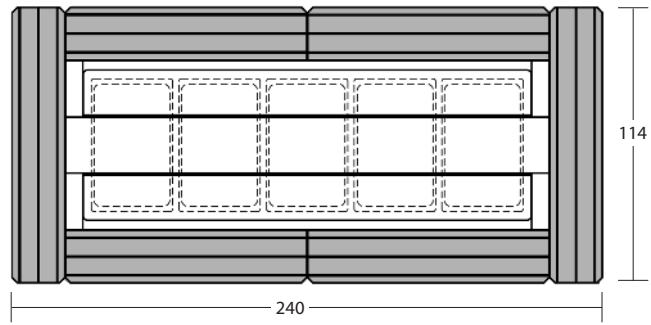
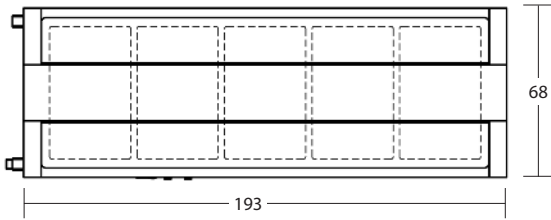
| Item | | | Description | Max dim. (cm) |
|-----------|-----------|--------------|---|---------------|
| Oak | Wenge | Ral | | |
| 6900.A01R | 6900.A01W | | Multi-tier corner trolley | 68x68x88 |
| | | 6900.A01RAL | Multi-tier corner trolley | 68x68x88 |
| 6900.A02R | 6900.A02W | | Mobile cabinet with 2 drawers, 1 door, 1 open compartment | 100x68x88 |
| | | 6900.A02RAL | Mobile cabinet with 2 drawers, 1 door, 1 open compartment | 100x68x88 |
| 6900.A10R | 6900.A10W | | Mobile cabinet with 26cm diam. plate lowerator | 100x68x88 |
| | | 6900.A10RAL | Mobile cabinet with 26cm diam. plate lowerator | 100x68x88 |
| 6900.A12R | 6900.A12W | | Mobile cabinet with 31cm diam. plate lowerator | 100x68x88 |
| | | 6900.A12RAL | Mobile cabinet with 31cm diam. plate lowerator | 100x68x88 |
| 6900.A14R | 6900.A14W | | 1200W heated mobile cabinet with 26cm diam. plate lowerator | 100x68x88 |
| | | 6900.A14RAL | 1200W heated mobile cabinet with 26cm diam. plate lowerator | 100x68x88 |
| 6900.A16R | 6900.A16W | | 1200W heated mobile cabinet with 31cm diam. plate lowerator | 100x68x88 |
| | | 6900.A16RAL | 1200W heated mobile cabinet with 31cm diam. plate lowerator | 100x68x88 |
| 6900.A20R | 6900.A20W | | End of counter mobile cabinet for trays/glasses/cutlery | 100x68x144 |
| | | 6900.A20R AL | End of counter mobile cabinet for trays/glasses/cutlery | 100x68x144 |

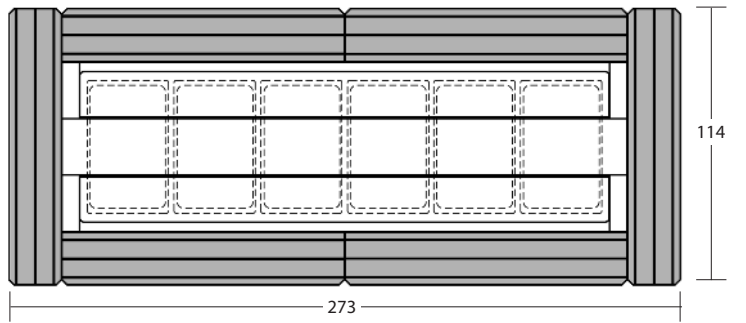
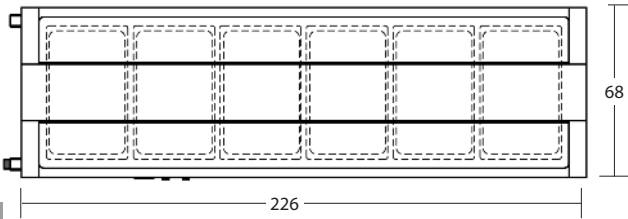




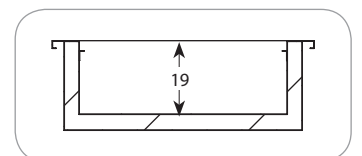
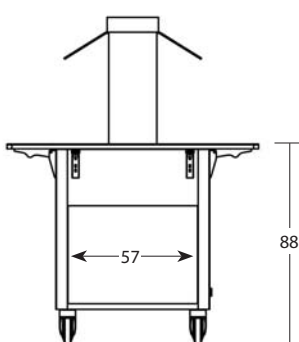
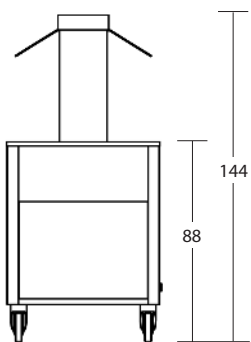
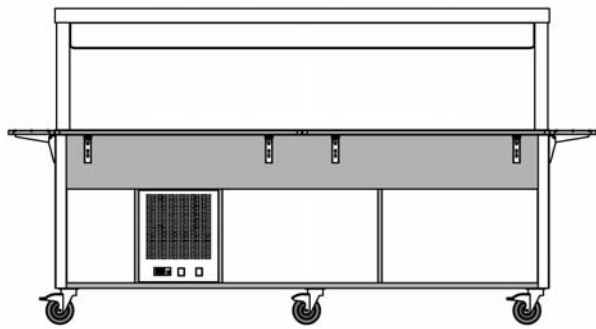
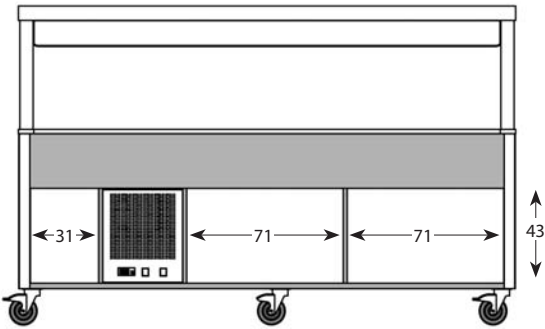








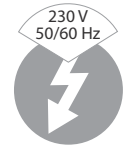
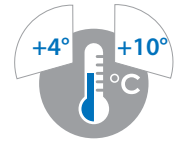
144





REFRIGERATED DROP-IN WELLS

- AISI 304 stainless steel 190mm deep well for up to 150mm deep GN pans (pans sold separately)
- Drain at base of well and condensate drip tray inside the motor compartment
- Stainless steel overhead gantry (optional wooden cover and set of rails)
- Fixed or movable tempered glass sneeze guard depending on model
- Fluorescent lighting
- Control panel with digital thermostat-thermometer and ON/OFF switches with warning light
- Mains supply: 230V, 50/60 Hz, single-phase
- Static refrigeration
- Operating temperature between 4 °C and 10 °C



Optional pans - see p. 162-163

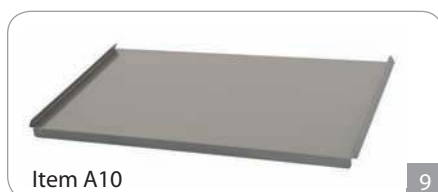
Item 6980.4 + A20(x4)

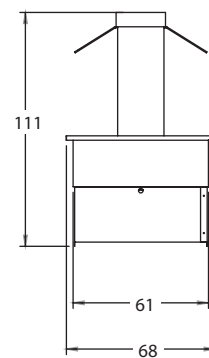
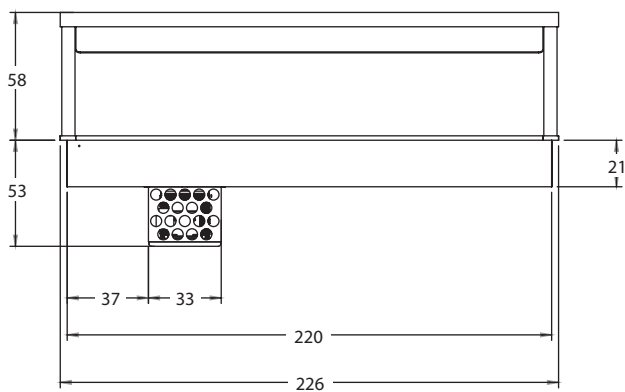
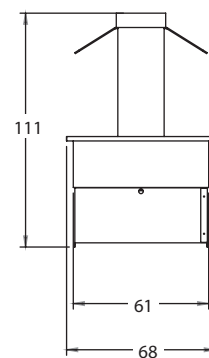
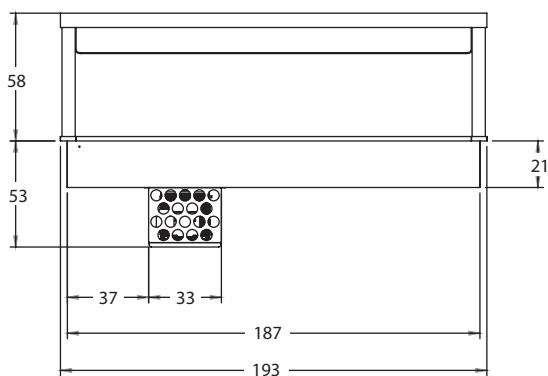
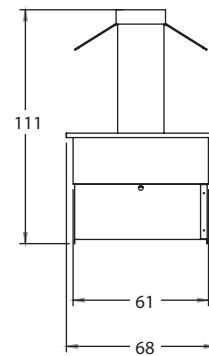
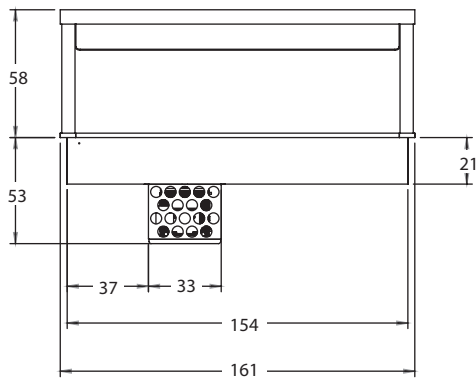
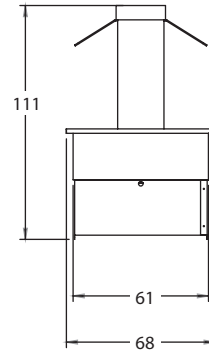
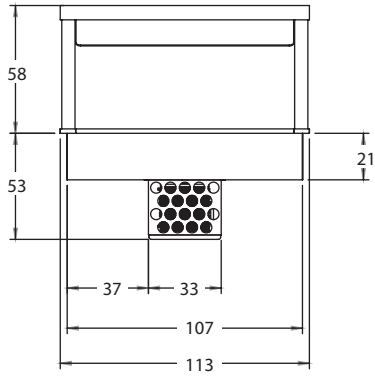
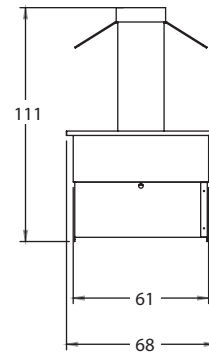
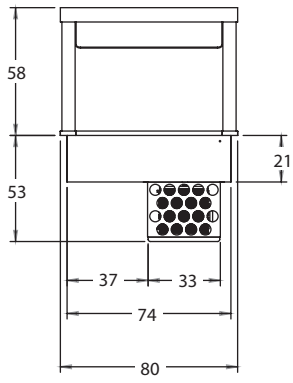


146

| Item | GN | Description | Power | Max dim. (cm) |
|---------|---------|-------------------------|-------|---------------|
| 6980.2 | 2 x 1/1 | Fixed sneeze guard | 335W | 80x68x111 |
| 6980.3 | 3 x 1/1 | Fixed sneeze guard | 385W | 113x68x111 |
| 6980.4 | 4 x 1/1 | Fixed sneeze guard | 500W | 161x68x111 |
| 6980.5 | 5 x 1/1 | Fixed sneeze guard | 570W | 193x68x111 |
| 6980.6 | 6 x 1/1 | Fixed sneeze guard | 625W | 226x68x111 |
| 6980.2M | 2 x 1/1 | Adjustable sneeze guard | 335W | 80x68x111 |
| 6980.3M | 3 x 1/1 | Adjustable sneeze guard | 385W | 113x68x111 |
| 6980.4M | 4 x 1/1 | Adjustable sneeze guard | 500W | 161x68x111 |
| 6980.5M | 5 x 1/1 | Adjustable sneeze guard | 570W | 193x68x111 |
| 6980.6M | 6 x 1/1 | Adjustable sneeze guard | 625W | 226x68x111 |

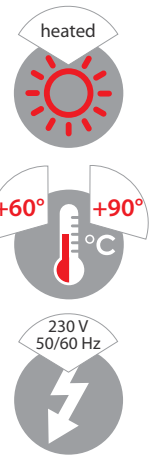
| Accessories | | Description |
|-------------|----|------------------------|
| A10 | 9 | 1/1 GN flat |
| A20 | 10 | 1/1 GN perforated flat |





HEATED DROP-IN WELLS

- AISI 304 stainless steel 190mm deep well for up to 150mm deep GN pans (pans sold separately)
- Drain at base of well with drain tap
- Stainless steel overhead gantry (optional wooden cover and set of rails)
- Tempered glass sneeze guard, fixed or height adjustable depending on model
- Lighting - fluorescent or by infrared overhead gantry
- Control panel with digital thermostat-thermometer and ON/OFF switch with warning light
- Mains supply: 230V, 50/60 Hz, single-phase
- Dry heating element underneath the well
- Operating temperature between 60 °C and 90 °C



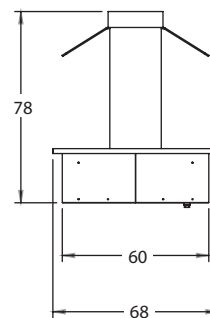
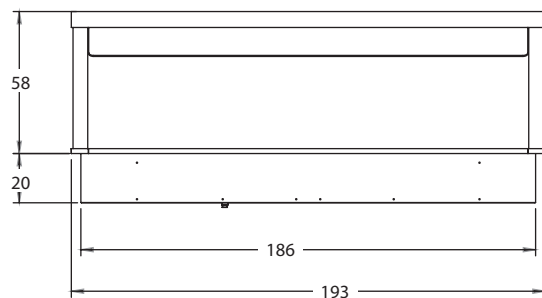
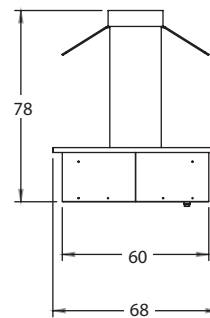
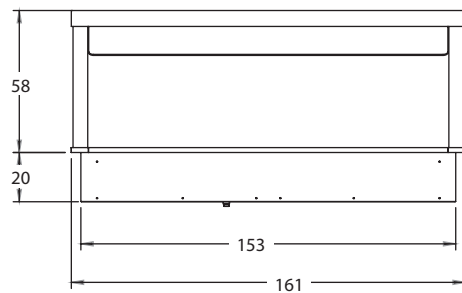
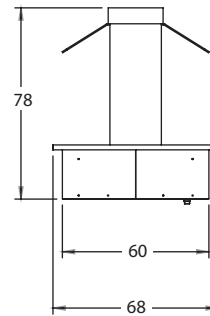
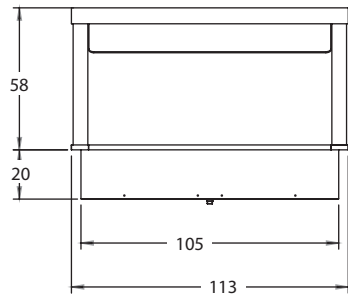
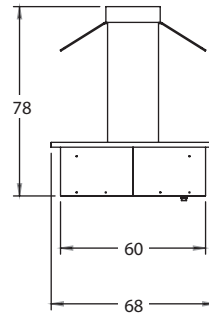
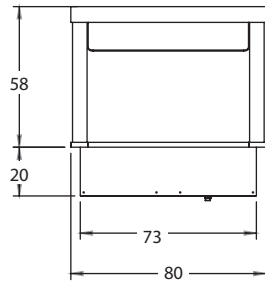
Optional pans - see p. 162-163



Item 6990.4 + A20(x4)

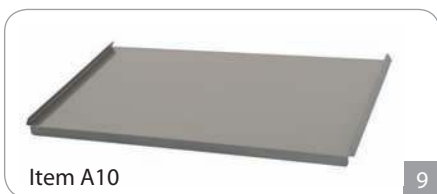
148

| Item | GN | Description | Lighting | Power | Max dim. (cm) |
|---------|---------|-------------------------|-------------|-------|---------------|
| 6990.2 | 2 x 1/1 | Fixed sneeze guard | Fluorescent | 1213W | 80x68x78 |
| 6990.3 | 3 x 1/1 | Fixed sneeze guard | Fluorescent | 1821W | 113x68x78 |
| 6990.4 | 4 x 1/1 | Fixed sneeze guard | Fluorescent | 2428W | 161x68x78 |
| 6990.5 | 5 x 1/1 | Fixed sneeze guard | Fluorescent | 3035W | 193x68x78 |
| 6990.2M | 2 x 1/1 | Adjustable sneeze guard | Fluorescent | 1213W | 80x68x78 |
| 6990.3M | 3 x 1/1 | Adjustable sneeze guard | Fluorescent | 1821W | 113x68x78 |
| 6990.4M | 4 x 1/1 | Adjustable sneeze guard | Fluorescent | 2428W | 161x68x78 |
| 6990.5M | 5 x 1/1 | Adjustable sneeze guard | Fluorescent | 3035W | 193x68x78 |
| 6990.2L | 2 x 1/1 | Fixed sneeze guard | Infrared | 1700W | 80x68x78 |
| 6990.3L | 3 x 1/1 | Fixed sneeze guard | Infrared | 2550W | 113x68x78 |
| 6990.4L | 4 x 1/1 | Fixed sneeze guard | Infrared | 3400W | 161x68x78 |
| 6990.5L | 5 x 1/1 | Fixed sneeze guard | Infrared | 4250W | 193x68x78 |



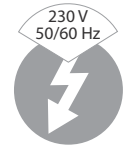
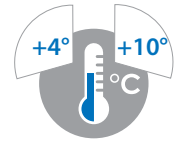
Accessories  Description

| | | |
|-----|----|------------------------|
| A10 | 9 | 1/1 GN flat |
| A20 | 10 | 1/1 GN perforated flat |



STAINLESS STEEL REFRIGERATED TROLLEYS

- AISI 304 stainless steel sheet construction, brushed finish
- Push handle
- Bottom shelves
- AISI 304 stainless steel 190mm deep well for up to 150mm deep GN pans (pans sold separately)
- Condensate drain at base of well with drain tap
- Acrylic dome opening on both sides (optional)
- Control panel with digital thermostat-thermometer and ON/OFF switch with warning light
- Mains supply: 230V, 50/60 Hz, single-phase
- Static refrigeration
- Operating temperature between 4 °C and 10 °C
- All round grey non marking rubber bumper
- Swivel castors (2 with brake), ø 12.5cm



Optional pans - see p. 162-163



ART. 6960.3+A143 + pans

150

| Item | GN | Power | Max dim. (cm) |
|--------|---------|-------|---------------|
| 6960.2 | 2 x 1/1 | 320W | 87x75x88 |
| 6960.3 | 3 x 1/1 | 360W | 120x75x88 |
| 6960.4 | 4 x 1/1 | 470W | 168x75x88 |

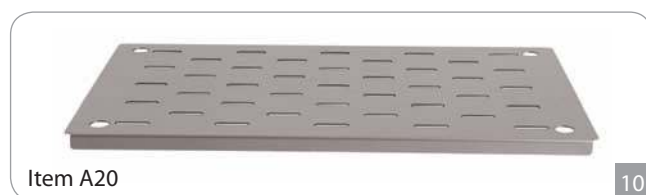
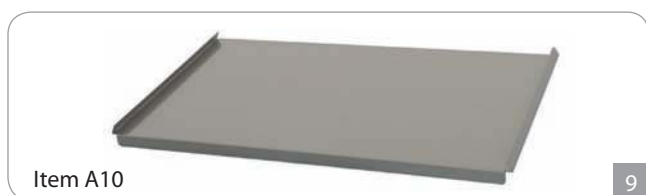
| Accessories | | Description | For item |
|-------------|---|-------------------------------|----------|
| T0020 | 1 | Glass sneeze guard, 2 x 1/1GN | 6960.2 |
| T0022 | 1 | Glass sneeze guard, 3 x 1/1GN | 6960.3 |
| T0024 | 1 | Glass sneeze guard, 4 x 1/1GN | 6960.4 |



| | | | |
|--------------|---|------------------------------------|--------|
| 433004200018 | 2 | Acrylic dome opening on both sides | 6960.2 |
| 433004200017 | 2 | Acrylic dome opening on both sides | 6960.3 |
| 433004200014 | 2 | Acrylic dome opening on both sides | 6960.4 |



| Accessories | | Description |
|-------------|----|------------------------|
| A10 | 9 | 1/1 GN flat |
| A20 | 10 | 1/1 GN perforated flat |



| Accessories | | Description |
|-------------|---|---|
| A132 | 7 | Front drop-down stainless steel shelf, 2 x 1/1 GN |
| A133 | 7 | Front drop-down stainless steel shelf, 3 x 1/1 GN |
| A134 | 7 | Front drop-down stainless steel shelf, 4 x 1/1 GN |
| A142 | 8 | Front drop-down stainless steel rodded tray slide, 2 x 1/1 GN |
| A143 | 8 | Front drop-down stainless steel rodded tray slide, 3 x 1/1 GN |
| A144 | 8 | Front drop-down stainless steel rodded tray slide, 4 x 1/1 GN |

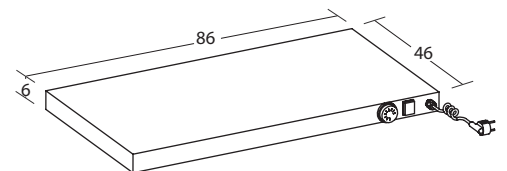
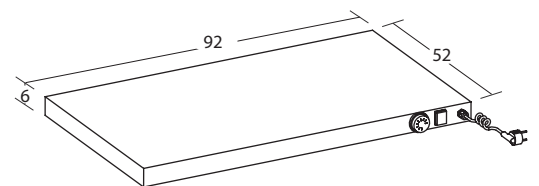
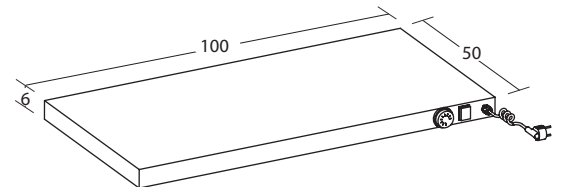
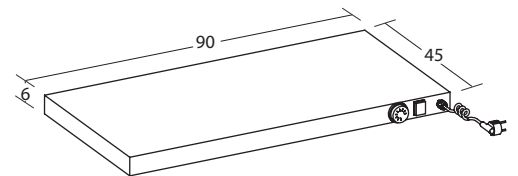
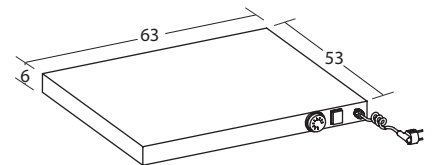
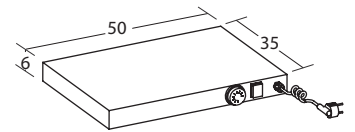
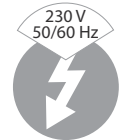
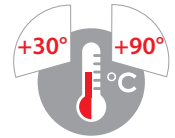
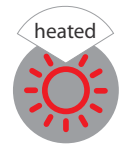




HOTPLATES AND
BAIN MARIE TROLLEYS

COUNTERTOP HOTPLATES

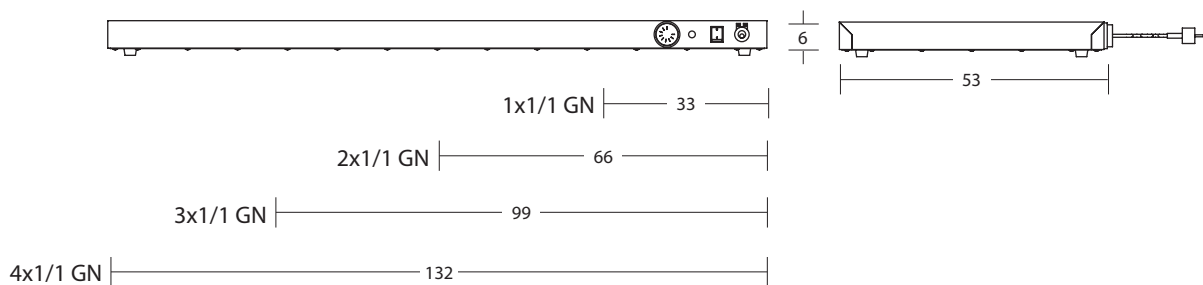
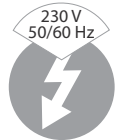
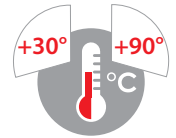
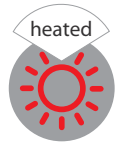
- AISI 304 stainless steel sheet top
- Heated by electrical resistance
- ON/OFF switch with LED
- Thermostatic control from + 30 °C to + 90 °C
- Mains supply: 230V, 50/60 Hz, single-phase
- Rubber support feet



154

| Item | Power | Max dim. (cm) |
|------|-------|---------------|
| 9035 | 250W | 50x35x6 |
| 9040 | 300W | 63x53x6 |
| 9045 | 450W | 90x45x6 |
| 9050 | 600W | 100x50x6 |
| 9051 | 600W | 92x52x6 |
| 9053 | 450W | 86x46x6 |

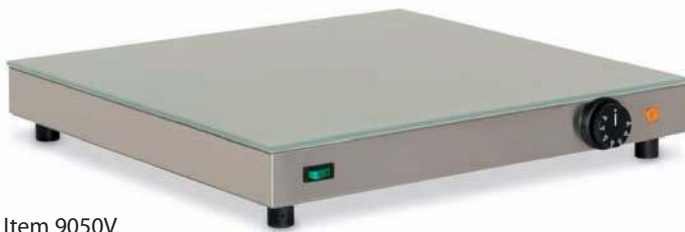
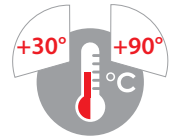
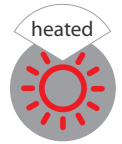
- AISI 304 stainless steel sheet top
- Heated by electrical resistance
- ON/OFF switch with LED
- Thermostatic control from + 30 °C to + 90 °C
- Mains supply: 230V, 50/60 Hz, single-phase
- Rubber support feet



| Item | GN | Power | Max dim. (cm) |
|------|-------|-------|---------------|
| 9080 | 1x1/1 | 350W | 33x53x6 |
| 9082 | 2x1/1 | 650W | 66x53x6 |
| 9084 | 3x1/1 | 1000W | 99x53x6 |
| 9086 | 4x1/1 | 1300W | 132x53x6 |

COUNTERTOP HOTPLATES WITH GLASS TOP

- Stainless steel sheet construction with glass top
- Heated by electrical resistance
- ON/OFF switch with LED
- Thermostatic control from + 30 °C to + 90 °C
- Mains supply: 230V, 50/60 Hz, single-phase
- Rubber support feet

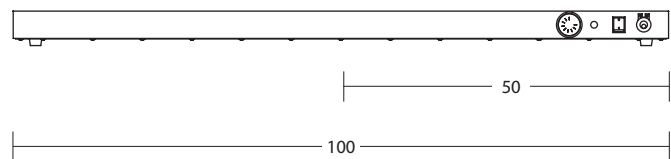
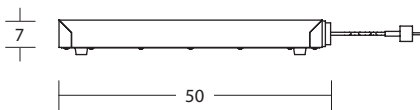


Item 9050V

156

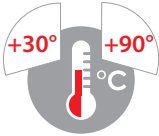
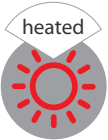


Item 90100V

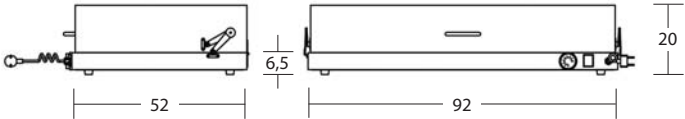


| Item | Power | Max dim. (cm) |
|--------|-------|---------------|
| 9050V | 600W | 50x50x7 |
| 90100V | 1200W | 100x50x7 |

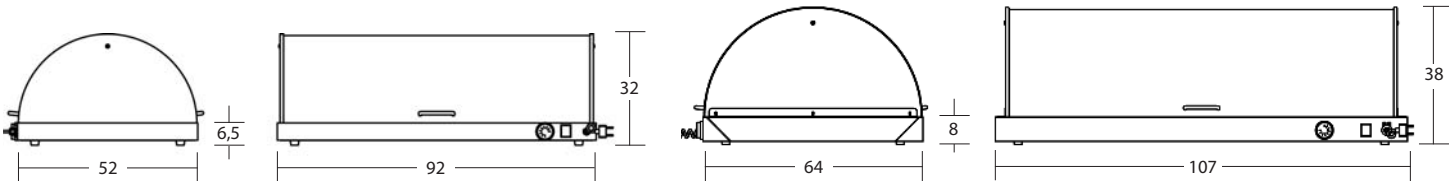
- AISI 304 stainless steel sheet top
- Acrylic dome
- Heated by electrical resistance
- ON/OFF switch with LED
- Thermostatic control from + 30 °C to + 90 °C
- Mains supply: 230V, 50/60 Hz, single-phase
- Rubber support feet



Item 9060



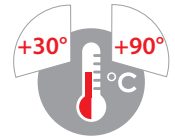
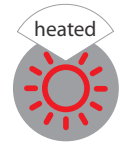
Item 9070



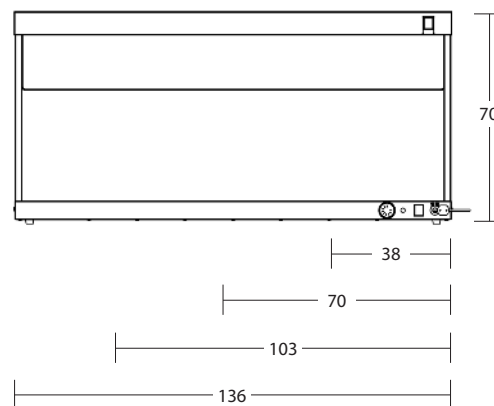
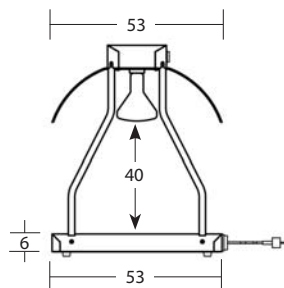
| Item | Dome | Power | Max dim. (cm) |
|------|------------------------------|-------|---------------|
| 9060 | Rectangular, hinged | 450W | 92x52x20 |
| 9070 | Round, opening on both sides | 450W | 92x52x32 |
| 9072 | Round, opening on both sides | 750W | 107x64x38 |

COUNTERTOP HOTPLATES WITH INFRARED OVERHEAD GANTRY

- AISI 304 stainless steel sheet top
- Upper frame in tube and stainless steel sheet, built in and recessed to facilitate integration with other units
- Acrylic curved sneeze guard
- 250W infrared lamps
- Heated by electrical resistance
- Separate switches for hotplate and infrared lamps, complete with warning light
- Thermostatic control from + 30 °C to + 90 °C
- Mains supply: 230V, 50/60 Hz, single-phase
- Rubber support feet

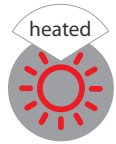


Item 9566

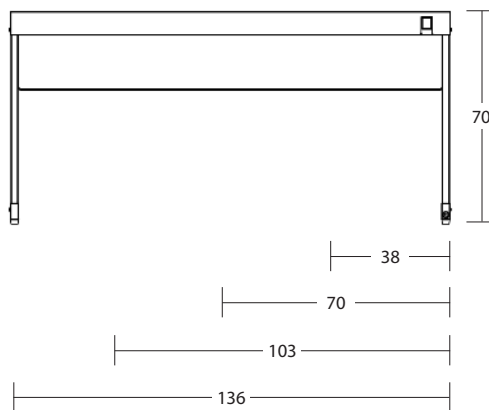
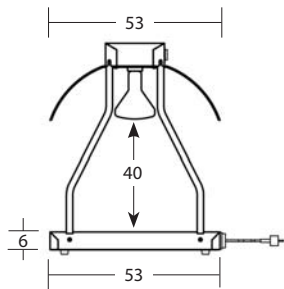


| Item | GN | Bulbs | Power | Max dim. (cm) |
|------|-------|-------|-------|---------------|
| 9564 | 1x1/1 | 1 | 600W | 38x53x70 |
| 9566 | 2x1/1 | 2 | 1150W | 70x53x70 |
| 9568 | 3x1/1 | 3 | 1750W | 103x53x70 |
| 9570 | 4x1/1 | 4 | 2300W | 136x53x70 |

- Upper frame in tube and stainless steel sheet
- Acrylic curved sneeze guard
- 250W infrared lamps
- ON/OFF switch with LED
- Mains supply: 230V, 50/60 Hz, single-phase
- Rubber support feet



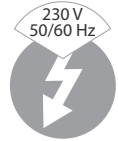
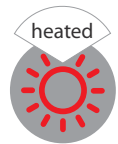
Item 9568T



| Item | GN | Bulbs | Power | Max dim. (cm) |
|-------|-------|-------|-------|---------------|
| 9564T | 1x1/1 | 1 | 250W | 38x53x70 |
| 9566T | 2x1/1 | 2 | 500W | 70x53x70 |
| 9568T | 3x1/1 | 3 | 750W | 103x53x70 |
| 9570T | 4x1/1 | 4 | 1000W | 136x53x70 |

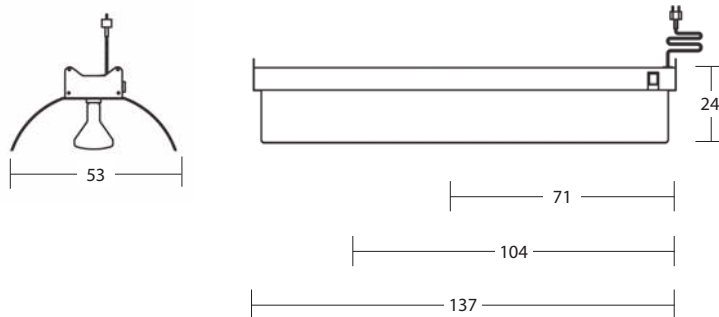
SUSPENDED INFRARED HEATED GANTRY

- Suspended stainless steel heating gantry
- Acrylic curved sneeze guard
- 250W infrared lamps
- ON/OFF switch with LED
- Mains supply: 230V, 50/60 Hz, single-phase



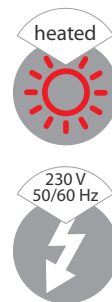
Item 9568S

160



| Item | GN | Bulbs | Power | Max dim. (cm) |
|-------|-------|-------|-------|---------------|
| 9566S | 2x1/1 | 2 | 500W | 71x53x24 |
| 9568S | 3x1/1 | 3 | 750W | 104x53x24 |
| 9570S | 4x1/1 | 4 | 1000W | 137x53x24 |

- Lampholder finish: aluminum (item 9502) or copper (item 9504)
- Lampholder body: aluminum (item 9510A), copper (item 9512A), chrome-plated copper (item 9511A)
- 250W infrared lamp
- ON/OFF switch on lampholder body
- Mains supply: 230V, 50/60 Hz, single-phase
- Adjustable height depending on model



Item 9502



Item 9504



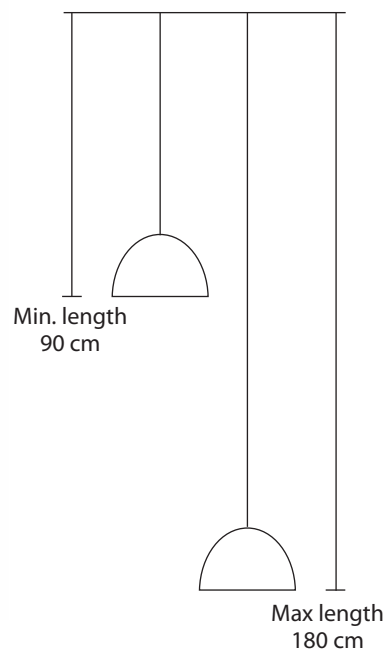
Item 9511A



Item 9510A



Item 9512A



| Item | Finish | Cable length | Power | Max dim. (cm) |
|-------|---------------|-------------------------|-------|---------------|
| 9502 | Aluminum | Fixed, 95 cm | 250W | ø 18 |
| 9504 | Copper | Fixed, 95 cm | 250W | ø 18 |
| 9510A | Aluminum | Adjustable, 90 - 180 cm | 250W | ø 23 |
| 9511A | Chrome-plated | Adjustable, 90 - 180 cm | 250W | ø 23 |
| 9512A | Copper | Adjustable, 90 - 180 cm | 250W | ø 23 |

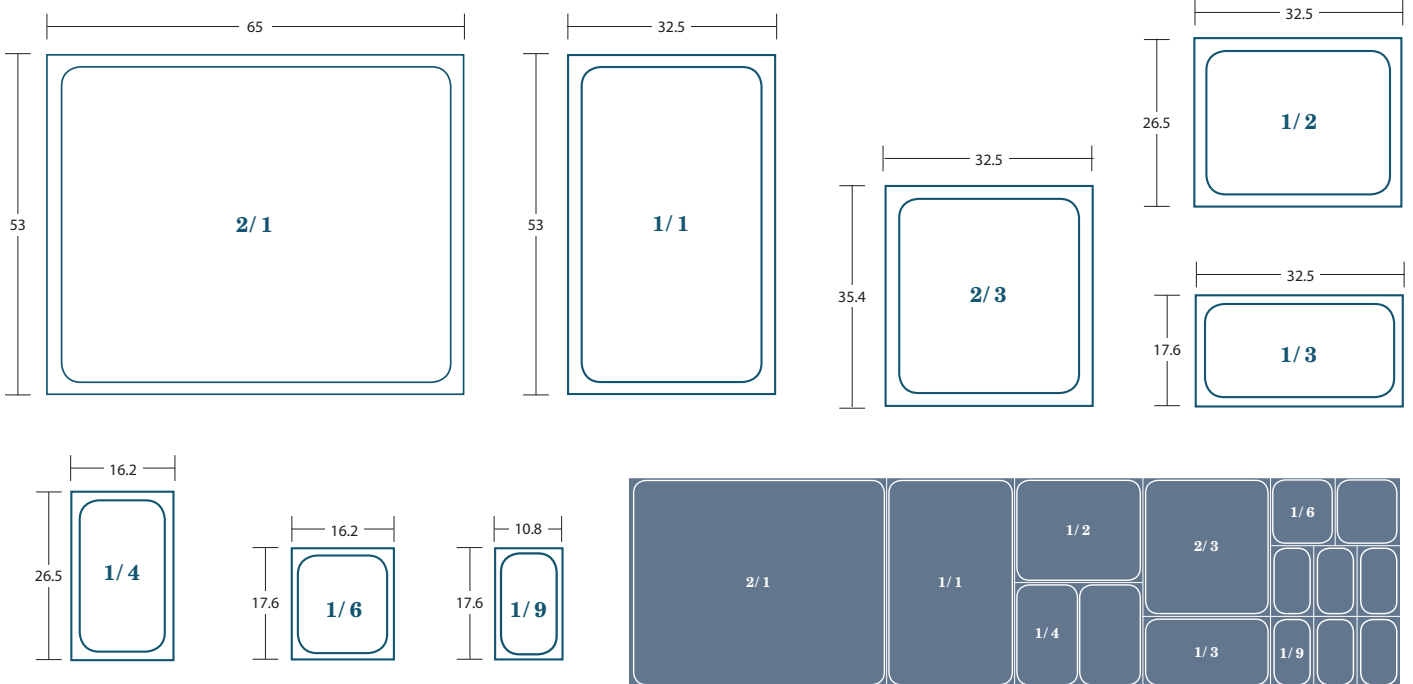
STAINLESS STEEL GASTRONORMS

Hot cupboards for meal distribution, as well as buffet display cases, Bain Marie trolleys and a few types of hotplates are designed in compliance with Gastronorm size standards.

Stainless steel Gastronorm containers are widely used in the catering industry for food storage. Lids are also available. Dividers are needed to fit a number of containers into the trolley wells.



GASTRONORM SIZES



162

LIDS FOR GASTRONORMS

| Item | GN | Max dim. (cm) |
|-------|-----|---------------|
| B0190 | 1/1 | 32.5x53 |
| B0290 | 2/3 | 32.5x35.4 |
| B0390 | 1/2 | 26.5x32.5 |
| B0490 | 1/3 | 17.6x32.5 |
| B0590 | 1/4 | 26.5x16.2 |
| B0690 | 1/6 | 17.6x16.2 |

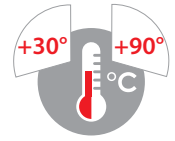
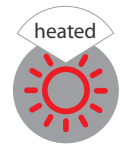
DIVIDERS FOR GASTRONORMS

| Item | GN | Max dim. (cm) |
|-------|-----|---------------|
| B0002 | 1/1 | 53 |
| B0004 | 1/2 | 32.5 |

| Item | GN | Depth (cm) | Max dim. (cm) | Capacity (L) |
|-------|-----|------------|---------------|--------------|
| B0010 | 2/1 | 2 | 65x53 | 5.6 |
| B0020 | 2/1 | 4 | 65x53 | 11 |
| B0030 | 2/1 | 6.5 | 65x53 | 18 |
| B0040 | 2/1 | 10 | 65x53 | 30 |
| B0050 | 2/1 | 15 | 65x53 | 43 |
| B0060 | 2/1 | 20 | 65x53 | 58 |
| B0110 | 1/1 | 2 | 32.5x53 | 2.8 |
| B0120 | 1/1 | 4 | 32.5x53 | 5.5 |
| B0130 | 1/1 | 6.5 | 32.5x53 | 9 |
| B0140 | 1/1 | 10 | 32.5x53 | 4 |
| B0150 | 1/1 | 15 | 32.5x53 | 20 |
| B0160 | 1/1 | 20 | 32.5x53 | 28 |
| B0210 | 2/3 | 2 | 32.5x35.4 | 14 |
| B0220 | 2/3 | 4 | 32.5x35.4 | 2.6 |
| B0230 | 2/3 | 6.5 | 32.5x35.4 | 4 |
| B0240 | 2/3 | 10 | 32.5x35.4 | 6 |
| B0250 | 2/3 | 15 | 32.5x35.4 | 9 |
| B0260 | 2/3 | 20 | 32.5x35.4 | 12 |
| B0310 | 1/2 | 2 | 26.5x32.5 | 14 |
| B0320 | 1/2 | 4 | 26.5x32.5 | 2.6 |
| B0330 | 1/2 | 6.5 | 26.5x32.5 | 4 |
| B0340 | 1/2 | 10 | 26.5x32.5 | 6 |
| B0350 | 1/2 | 15 | 26.5x32.5 | 9 |
| B0360 | 1/2 | 20 | 26.5x32.5 | 12 |
| B0410 | 1/3 | 2 | 17.6x32.5 | 0.9 |
| B0420 | 1/3 | 4 | 17.6x32.5 | 18 |
| B0430 | 1/3 | 6.5 | 17.6x32.5 | 2.4 |
| B0440 | 1/3 | 10 | 17.6x32.5 | 3.5 |
| B0450 | 1/3 | 15 | 17.6x32.5 | 5.4 |
| B0460 | 1/3 | 20 | 17.6x32.5 | 7.2 |
| B0510 | 1/4 | 2 | 26.5x16.2 | 0.7 |
| B0520 | 1/4 | 4 | 26.5x16.2 | 13 |
| B0530 | 1/4 | 6.5 | 26.5x16.2 | 17 |
| B0540 | 1/4 | 10 | 26.5x16.2 | 2.5 |
| B0550 | 1/4 | 15 | 26.5x16.2 | 3.8 |
| B0560 | 1/4 | 20 | 26.5x16.2 | 4.8 |
| B0630 | 1/6 | 6.5 | 17.6x16.2 | 1 |
| B0640 | 1/6 | 10 | 17.6x16.2 | 16 |
| B0650 | 1/6 | 15 | 17.6x16.2 | 2.4 |
| B0660 | 1/6 | 20 | 17.6x16.2 | 3.4 |
| B0730 | 1/9 | 6.5 | 17.6x10.8 | 0.8 |
| B0740 | 1/9 | 10 | 17.6x10.8 | 12 |

COUNTERTOP BAIN MARIE UNITS

- Double skinned stainless steel sheet construction
- The Bain Marie well can take up to 150mm deep 1/1 GN pans (sold separately)
- Double models ensure separate temperature control
- Bain Marie drain tap (for items 9810R-9820R)
- Dry heating element underneath the well
- ON/OFF switch with LED
- Thermostatic control from + 30 °C to + 90 °C
- Mains supply: 230V, 50/60 Hz, single-phase
- Non-slip rubber feet



Optional containers - see p. 162-163



Item 9810



Item 9820



Item 9810R

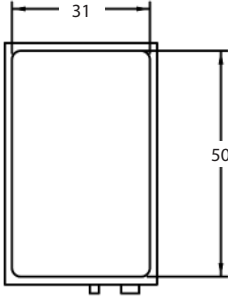
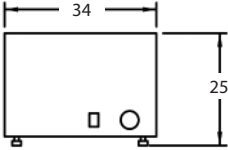
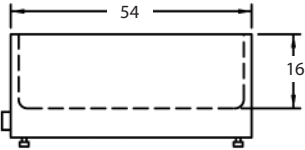


Item 9820R

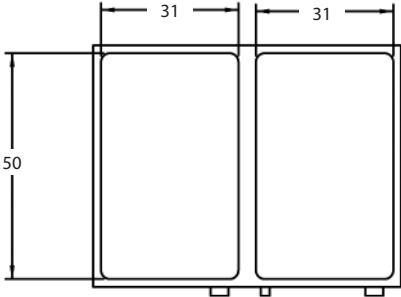
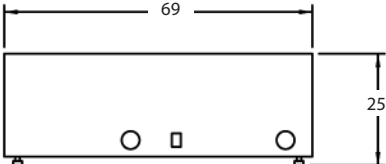
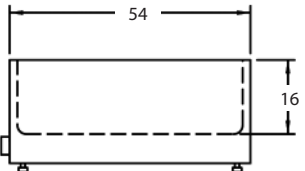
164

| Item | GN | Drain tap | Power | Max dim. (cm) |
|-------|-------|-----------|--------------|---------------|
| 9810 | 1x1/1 | - | 1000W | 34x54x25 |
| 9810R | 1x1/1 | YES | 1000W | 34x54x25 |
| 9820 | 2x1/1 | - | 1000 + 1000W | 69x54x25 |
| 9820R | 2x1/1 | YES | 1000 + 1000W | 69x54x25 |

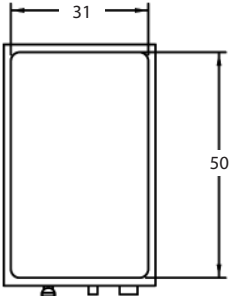
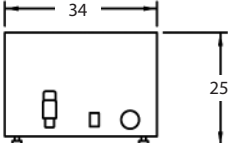
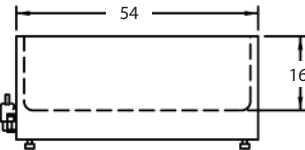
9810



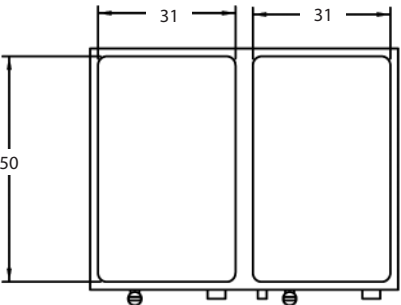
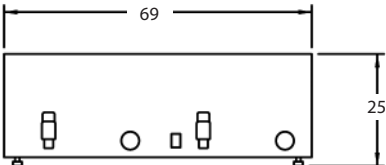
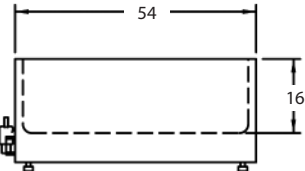
9820



9810R

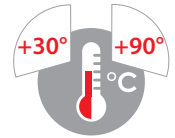
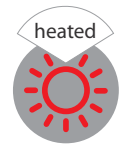


9820R



COUNTERTOP BAIN MARIE UNITS

- Double skinned AISI 304 stainless steel sheet construction
- The Bain Marie well can take up to 200mm deep GN pans (sold separately)
- Bain Marie drain tap
- Bain Marie immersion heater with perforated grille protection
- ON/OFF switch with LED
- Thermostatic control from + 30 °C to + 90 °C
- Mains supply: 230V, 50/60 Hz, single-phase
- Adjustable feet



Optional containers - see p. 162-163



Item 9531

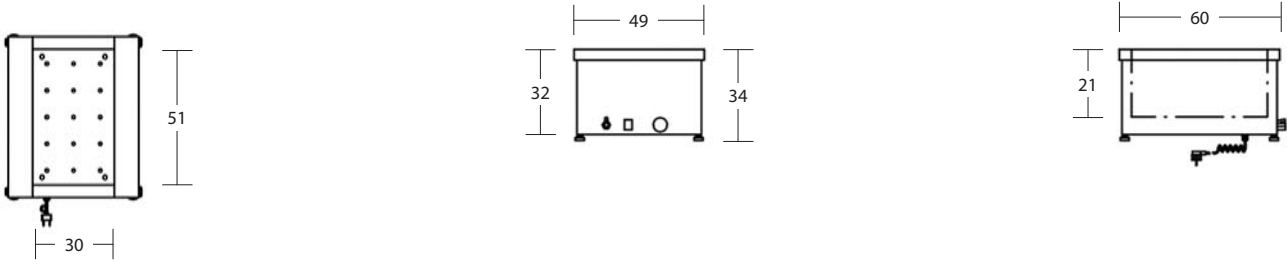
166



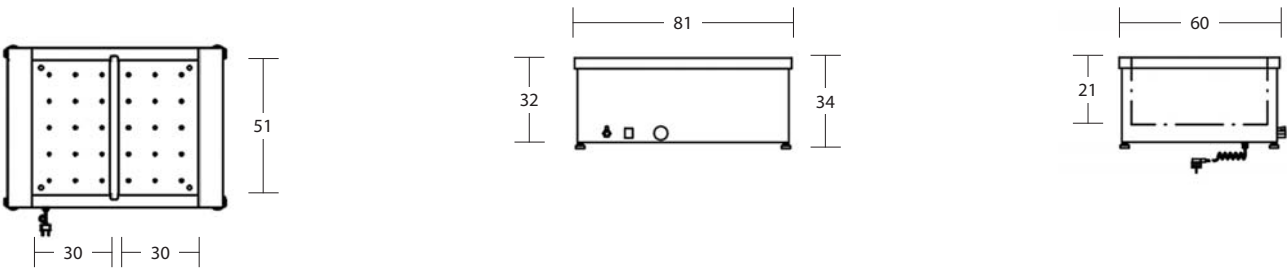
Item 9531 + GN containers

| Item | GN | Power | Max dim. (cm) |
|------|-------|-------|---------------|
| 9541 | 1x1/1 | 1950W | 49x60x34 |
| 9551 | 2x1/1 | 1950W | 81x60x34 |
| 9531 | 3x1/1 | 1950W | 114x60x34 |
| 9521 | 4x1/1 | 3900W | 153x60x34 |

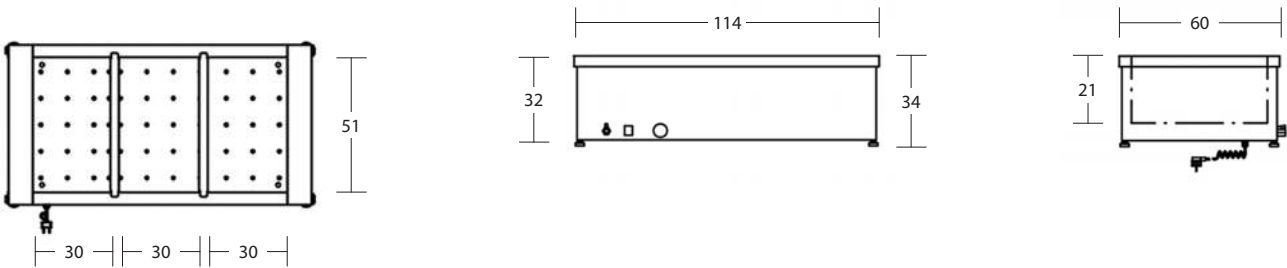
9541



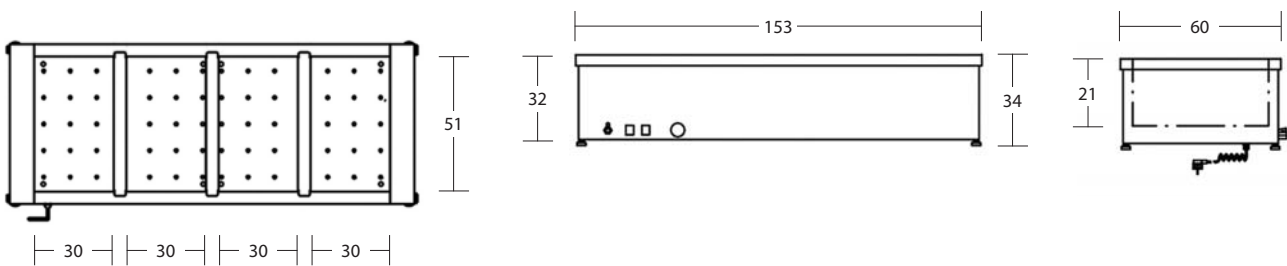
9551



9531



9521



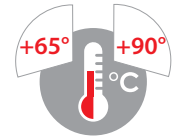
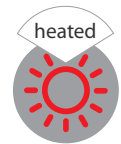
BAIN MARIE TROLLEYS WITH LID

- 2x2cm square steel tube construction with AISI 304 stainless steel sheet panels, brushed finish
- Hinged top lid
- The Bain Marie well can take up to 200mm deep GN pans (sold separately)
- Bain Marie drain tap
- Bain Marie immersion heater with perforated grille protection
- ON/OFF switch with LED
- Thermostatic control from + 30 °C to + 90 °C
- Mains supply: 230V, 50/60 Hz, single-phase
- Open sided base
- Swivel castors, ø 12.5cm

Optional containers - see p. 162-163



Item 1393



168

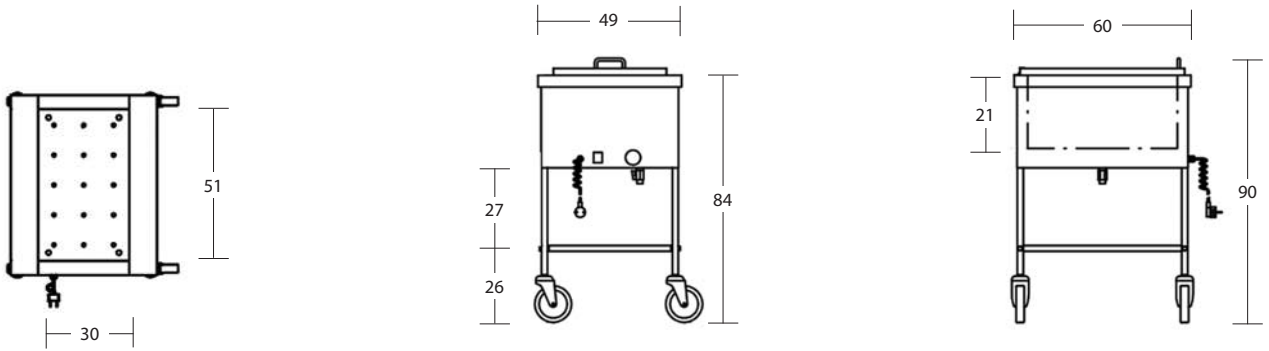
| Item | GN | Power | Max dim. (cm) |
|------|-------|-------|---------------|
| 1391 | 1x1/1 | 1950W | 49x60x90 |
| 1392 | 2x1/1 | 1950W | 81x60x90 |
| 1393 | 3x1/1 | 1950W | 114x60x90 |

| Options | Description | For item |
|---------|---|----------|
| S1200 | 1 Set with 2 braked castors | All |
| SE200 | 2 Set with 4 resilient castors (2 with brake) | All |

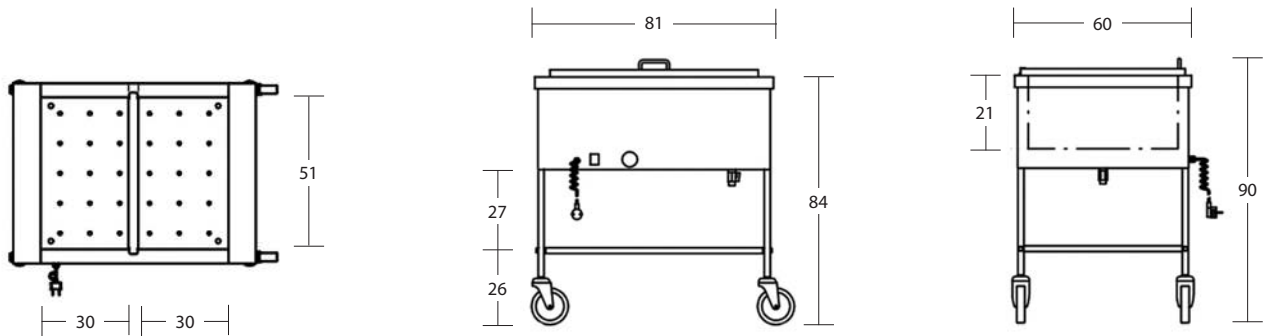


| Accessories | Description | For item |
|-------------|-------------------------------|----------|
| A0431 | Bottom shelf, stainless steel | 1391 |
| A0432 | Bottom shelf, stainless steel | 1392 |
| A0433 | Bottom shelf, stainless steel | 1393 |
| A0040 | Push handle | All |

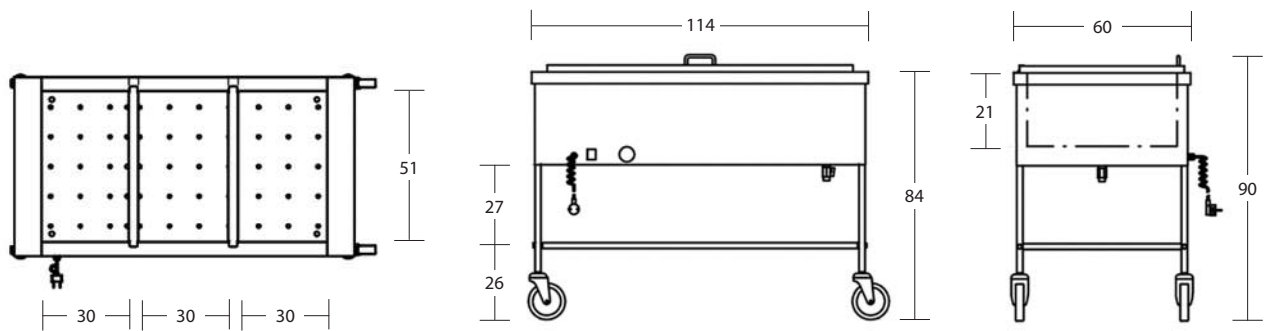
1391



1392



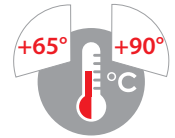
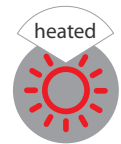
1393



BAIN MARIE TROLLEYS

- 2x2cm square steel tube construction with AISI 304 stainless steel sheet panels, brushed finish
- The Bain Marie well can take up to 200mm deep GN pans (sold separately)
- Bain Marie drain tap
- Bain Marie immersion heater with perforated grille protection
- ON/OFF switch with LED
- Thermostatic control from + 30 °C to + 90 °C
- Mains supply: 230V, 50/60 Hz, single-phase
- Open sided base with removable shelf
- Swivel castors, ø 12.5cm

Optional containers - see p. 162-163



Item 1397

170

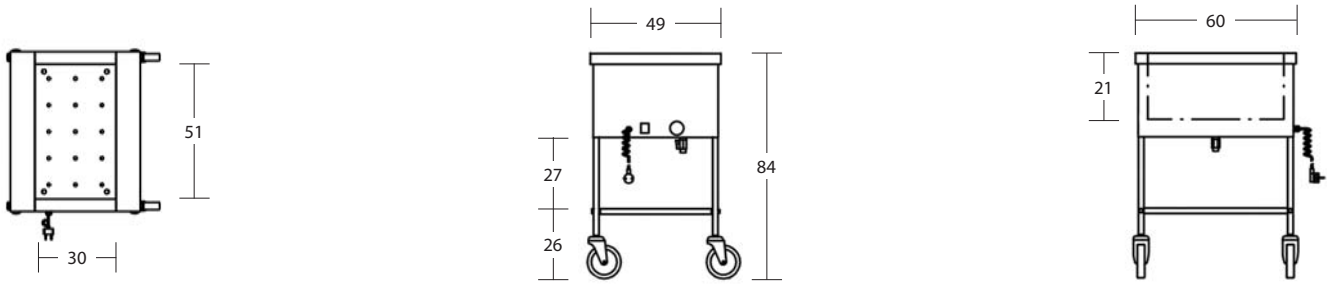
| Item | GN | Power | Max dim. (cm) |
|------|-------|-------|---------------|
| 1395 | 1x1/1 | 1950W | 49x60x84 |
| 1396 | 2x1/1 | 1950W | 81x60x84 |
| 1397 | 3x1/1 | 1950W | 114x60x84 |
| 1398 | 4x1/1 | 3900W | 153x60x84 |

| Options | Description | For item |
|---------|---|----------|
| S1200 | 1 Set with 2 braked castors | All |
| SE200 | 2 Set with 4 resilient castors (2 with brake) | All |

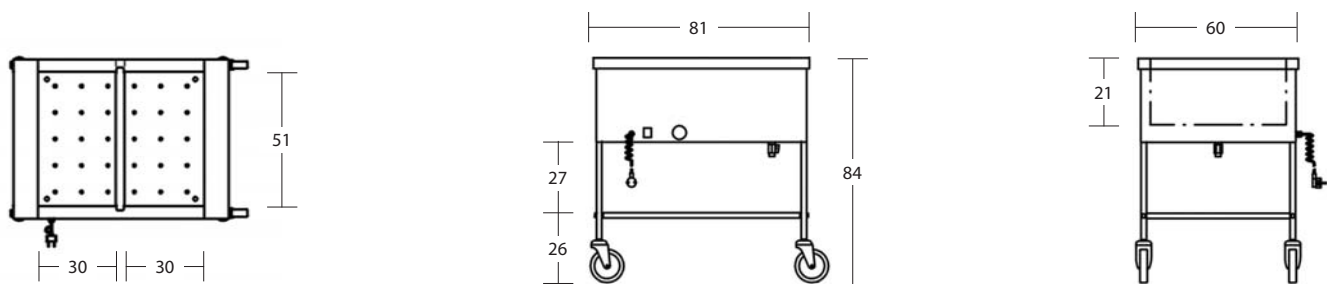
| Accessories | Description | For item |
|-------------|-------------|----------|
| A0040 | Push handle | All |



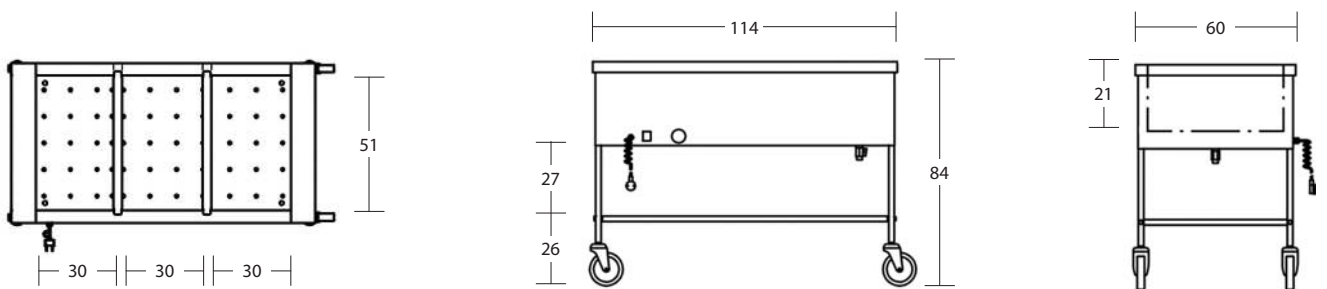
1395



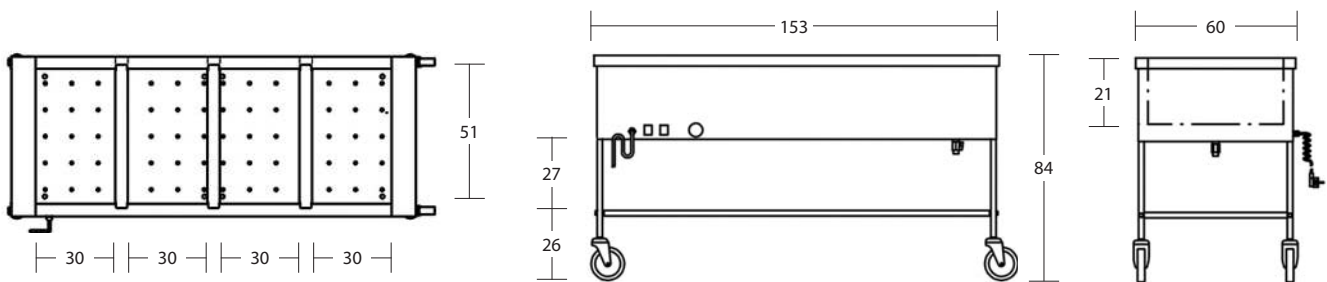
1396



1397

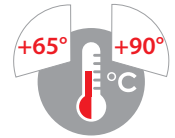
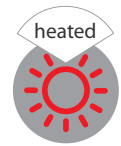


1398



BAIN MARIE TROLLEYS - SINGLE WELL

- 2.5x2.5cm square steel tube construction with AISI 304 stainless steel sheet panels, brushed finish
- Polyurethane foam insulation panels
- Heat-proof push handle
- Open sided base with welded shelf
- Single Bain Marie well in pressed steel sheet with no sharp edges; it can take up to 200mm deep GN pans (sold separately)
- Bain Marie drain tap
- Bain Marie dry heating element underneath the well
- ON/OFF switch with LED
- Control panel with thermostatic control from +30 °C to +90 °C
- Mains supply: 230V, 50/60 Hz, single-phase
- Rubber corner bumpers
- Swivel castors, ø 12.5cm



Optional containers - see p. 162-163



Item 7365 + S1220

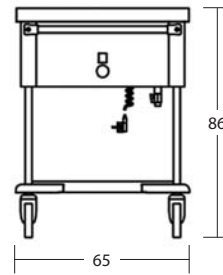
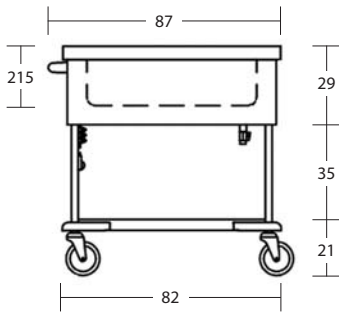
172

| Item | GN | Power | Max dim. (cm) |
|------|-------|-------|---------------|
| 7360 | 2x1/1 | 1200W | 87x65x86 |
| 7365 | 3x1/1 | 1800W | 125x65x86 |
| 7368 | 4x1/1 | 2400W | 163x65x86 |

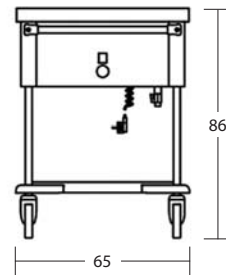
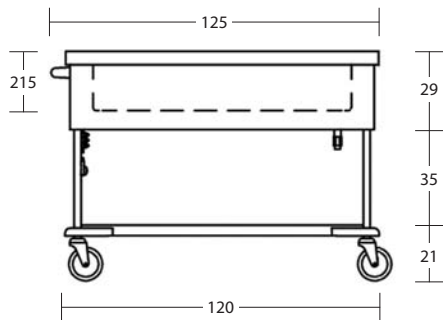
| Options | Description | For item |
|---------|---|----------|
| S1220 | 1 Set with 2 braked castors | All |
| SE220 | 2 Set with 4 resilient castors (2 with brake) | All |



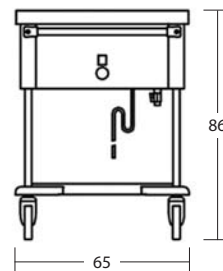
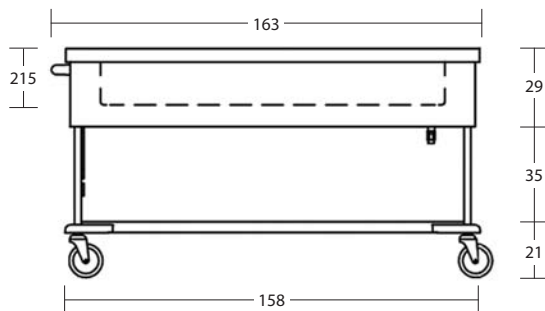
7360



7365

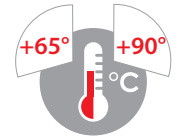
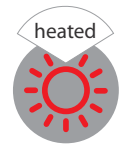


7368



BAIN MARIE TROLLEYS WITH SEPARATE TEMPERATURE CONTROL

- 2.5x2.5cm square steel tube construction with AISI 304 stainless steel sheet panels, brushed finish
- Polyurethane foam insulation panels
- Heat-proof push handle
- Open sided base with welded shelf
- Bain Marie wells with separate temperature control in pressed steel sheet with no sharp edges; they can take up to 200mm deep GN pans (sold separately)
- Bain Marie drain tap
- Bain Marie dry heating element underneath the well
- ON/OFF switch with LED
- Control panel with thermostatic control from +30 °C to +90 °C
- Mains supply: 230V, 50/60 Hz, single-phase
- Rubber corner bumpers
- Swivel castors, ø 12.5cm



Optional containers - see p. 162-163



Item 7375 + S1220

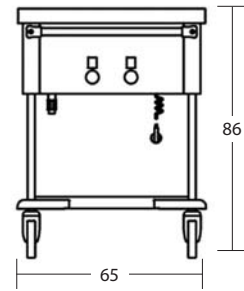
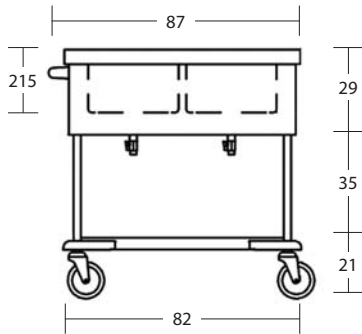
174

| Item | GN | Power | Max dim. (cm) |
|------|-------|-------|---------------|
| 7370 | 2x1/1 | 1200W | 87x65x86 |
| 7375 | 3x1/1 | 1800W | 125x65x86 |
| 7378 | 4x1/1 | 2400W | 163x65x86 |

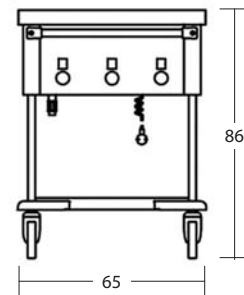
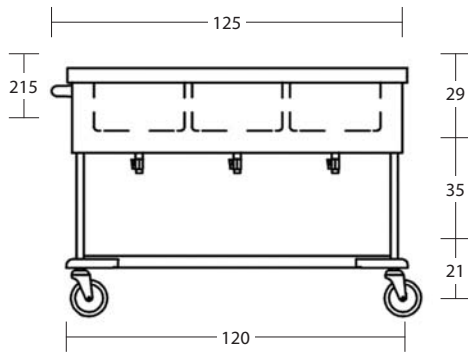
| Options | Description | For item |
|---------|---|----------|
| S1220 | 1 Set with 2 braked castors | All |
| SE220 | 2 Set with 4 resilient castors (2 with brake) | All |



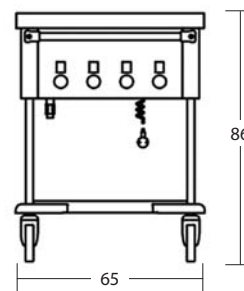
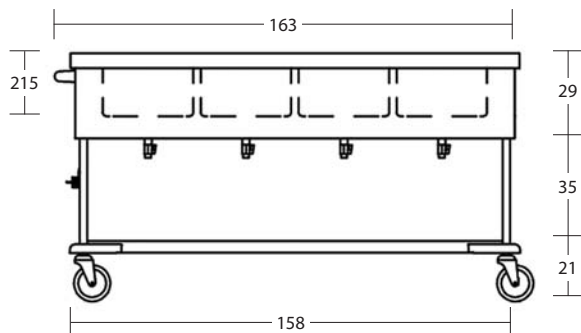
7370



7375



7378



BAIN MARIE TROLLEYS FOR MEAL DISTRIBUTION

Specially designed for meal distribution in hospitals, nursing homes, large communities and canteens, the Bain Marie trolleys are available in many different models to meet any needs. All ranges comply with GN standard.

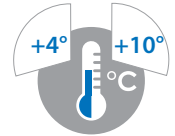
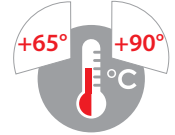
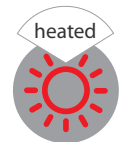
- AISI 304 stainless steel sheet construction, brushed finish
- Polyurethane foam insulation panels
- Heat-proof push handles
- Single or separated Bain Marie wells in pressed steel sheet with no sharp edges; they can take up to 200mm deep GN pans (sold separately)
- One or more drain taps
- One or more lower compartments: ambient, heated, refrigerated or mixed ones
- Mains supply: 230V, 50/60 Hz, single-phase
- Bain Marie dry heating element underneath each well
- Control panel with independent thermostatic control from +30 °C to +90 °C - one thermostat for every heated or refrigerated compartment (+ 4 °C to + 10 °C)
- 3m long coiled power cable (no plug)
- Edges protected by all round grey non marking rubber bumpers
- Two fixed and two braked swivel castors with heavy-duty brackets, ø 16cm; grey non marking rubber tread on centre with roller bearing hub

Accessories: see p. 214-215

GN containers: see p. 162-163



Single or separated Bain Marie wells, for GN pans up to 200mm deep



176



Heat-proof push handles



Control panel with adjustable thermostats, one for every heated or refrigerated compartment



Foil heating element with safety thermostat



Refrigerated lower compartment with compressor housing



Edges protected by all round grey non marking rubber bumpers



Castors, two fixed and two swivel braked castors



One or more lower compartments: ambient, heated, refrigerated or mixed ones



Item C2 - C3
Lid opening to 180°



Item L2 - L3
Lid opening 2/3 + 1/3



Item S2 -S3
Sliding lids



IPX5 insulated digital panel



Steel and glass sneeze guard



Drop down tray slide



Wheels with integral brakes for ramps/loading chutes



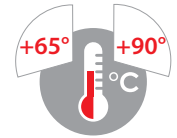
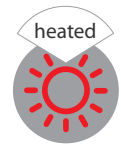
Tow bar with coupler



Resilient wheels for uneven floors/outdoor use

BAIN MARIE TROLLEYS - SINGLE WELL

- AISI 304 stainless steel sheet construction, brushed finish
- Polyurethane foam insulation panels
- Heat-proof push handles
- Single Bain Marie well in pressed steel sheet with no sharp edges; it can take up to 200mm deep GN pans (sold separately)
- Bain Marie drain tap
- Single lower ambient compartment with up-and-over door
- Mains supply: 230V, 50/60 Hz, single-phase
- Dry heating element underneath the well
- Control panel with thermostatic control from +30 °C to +90 °C
- 3m long coiled power cable (no plug)
- Edges protected by all round grey non marking rubber bumpers
- Two fixed and two braked swivel castors with heavy-duty brackets, ø 16cm; grey non marking rubber tread on centre with roller bearing hub



Accessories: see p. 214-215

GN containers: see p. 162-163



Item 7365A

⊖ = ambient

| Item | GN | Lower compartment | Power | Max dim. (cm) |
|-------|-------|-------------------|-------|---------------|
| 7360A | 2x1/1 | ⊖ | 1200W | 95x72x96 |
| 7365A | 3x1/1 | ⊖ | 1800W | 134x72x96 |
| 7368A | 4x1/1 | ⊖ | 2400W | 172x72x96 |

Options



Description

For item

SE260

1

Set with 4 resilient castors (2 with brake)

All



- Heat-proof lids opening to 180° for Bain Marie trolleys (opened lids can be used as support)
- AISI 304 stainless steel sheet construction, brushed finish



| Options | Description | For item |
|---------|--|----------|
| C2 | 180° opening lids for 2/1 GN Bain Marie tops | 7360A |
| C3 | 180° opening lids for 3/1 GN Bain Marie tops | 7365A |

- Heat-proof lids opening 2/3 + 1/3 on the long side (opened lids can be used as support)
- AISI 304 stainless steel sheet construction, brushed finish



179

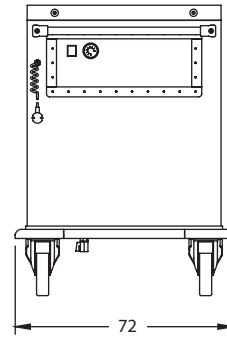
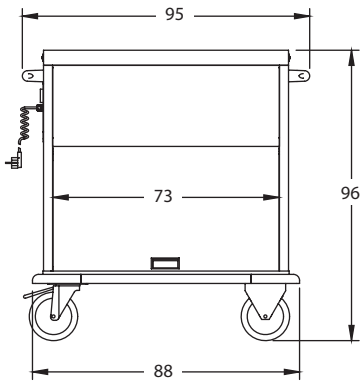
| Options | Description | For item |
|---------|---|----------|
| L2 | 2/3 + 1/3 opening lids for 2/1 GN Bain Marie tops | 7360A |
| L3 | 2/3 + 1/3 opening lids for 3/1 GN Bain Marie tops | 7365A |

- Heat-proof lids sliding on the long side (opened lids can be used as support)
- AISI 304 stainless steel sheet construction, brushed finish

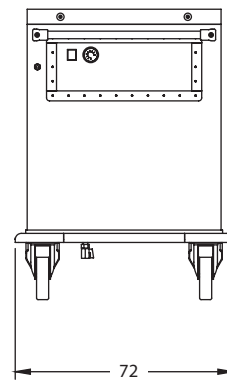
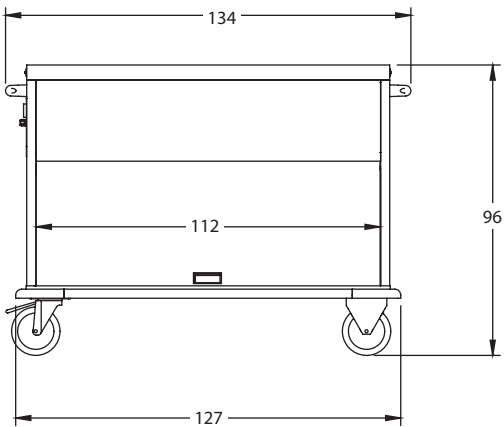


| Options | Description | For item |
|---------|---|----------|
| S2 | Sliding lids for 2/1 GN Bain Marie tops | 7360A |
| S3 | Sliding lids for 3/1 GN Bain Marie tops | 7365A |

2x1/1 GN

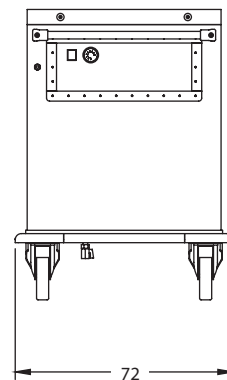
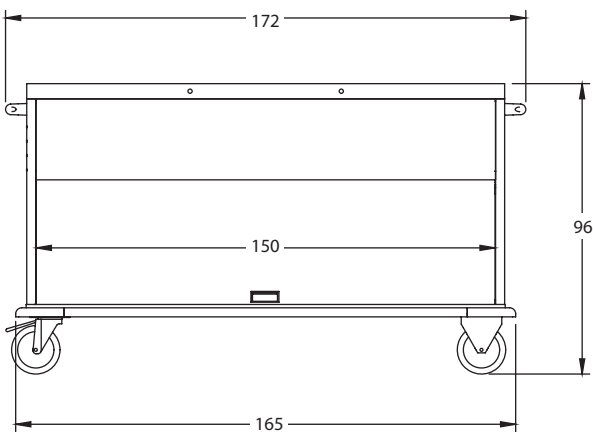


3x1/1 GN

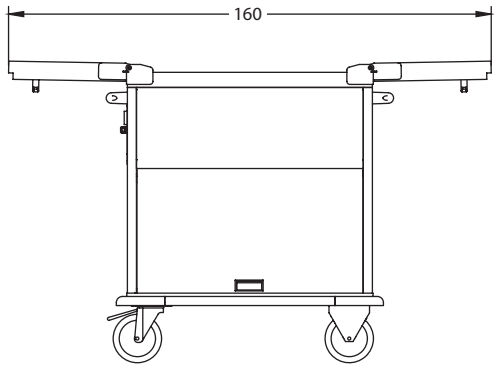
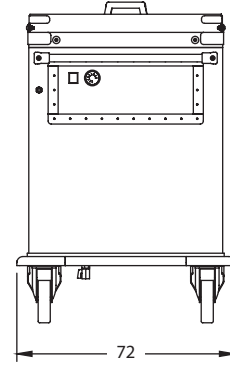
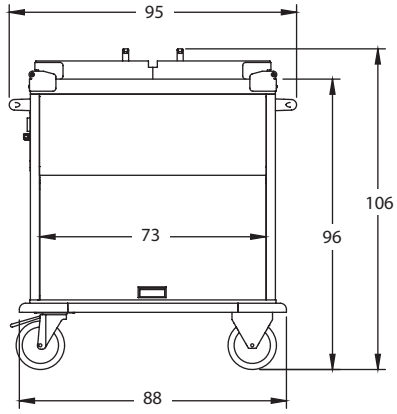


180

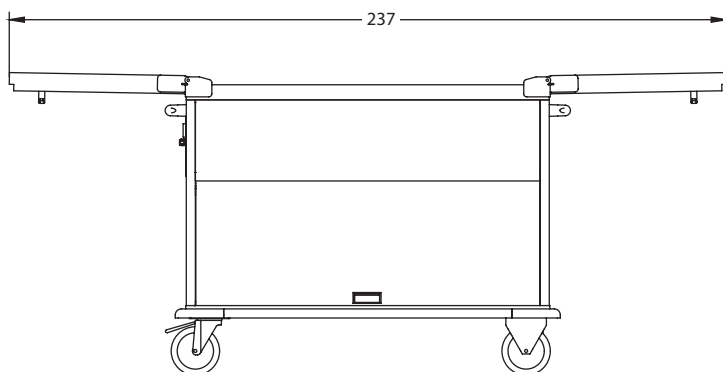
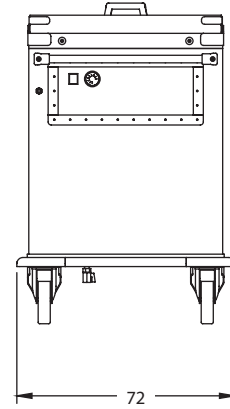
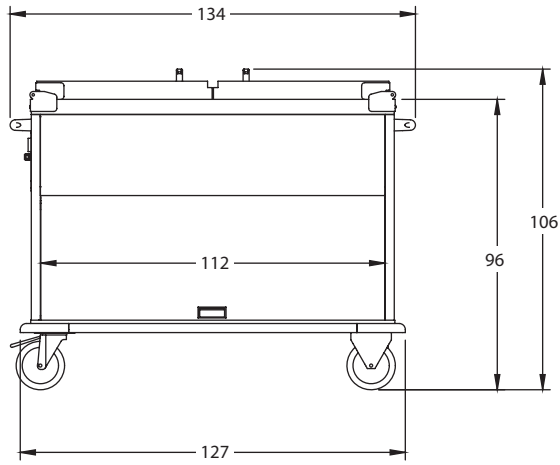
4x1/1 GN



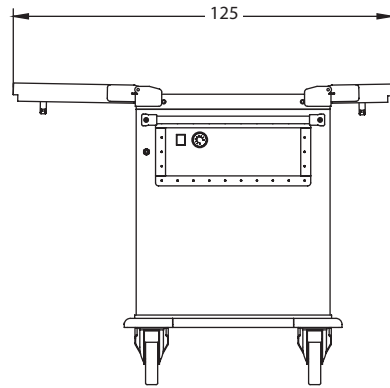
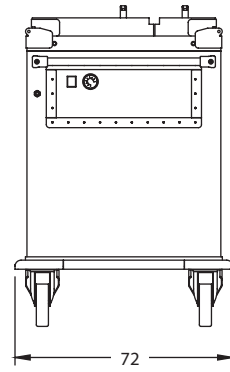
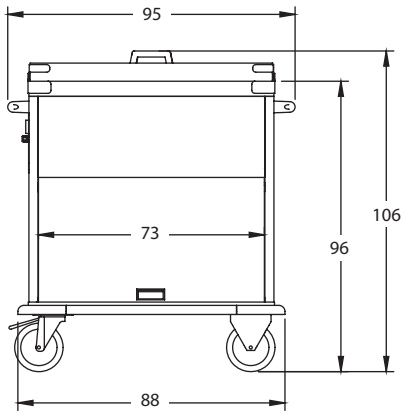
2x1/1 GN



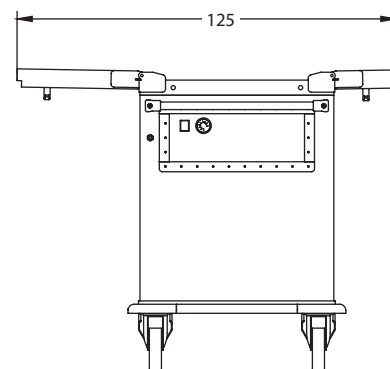
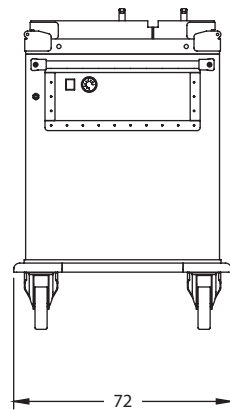
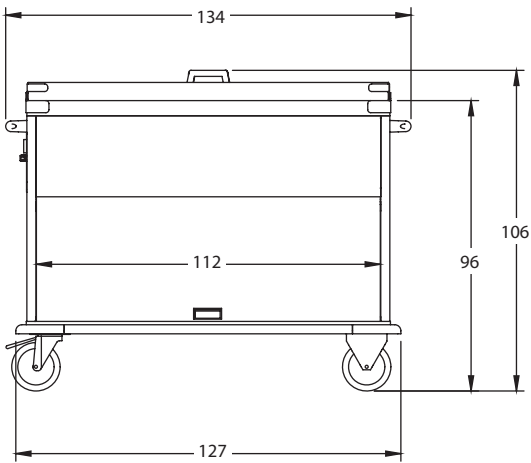
3x1/1 GN



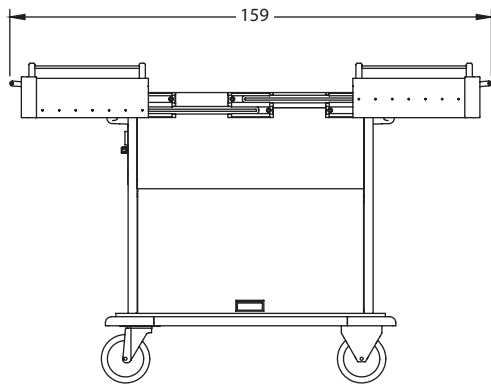
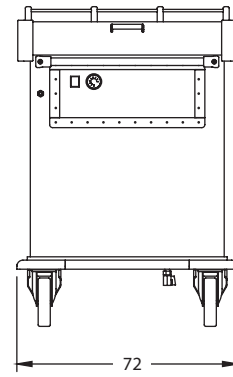
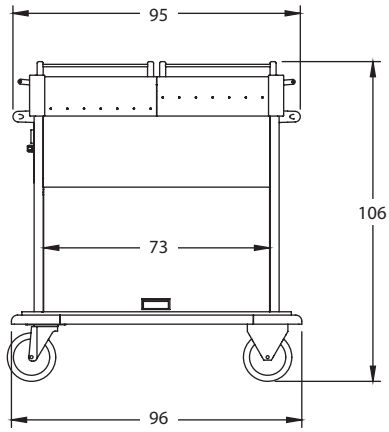
2x1/1 GN



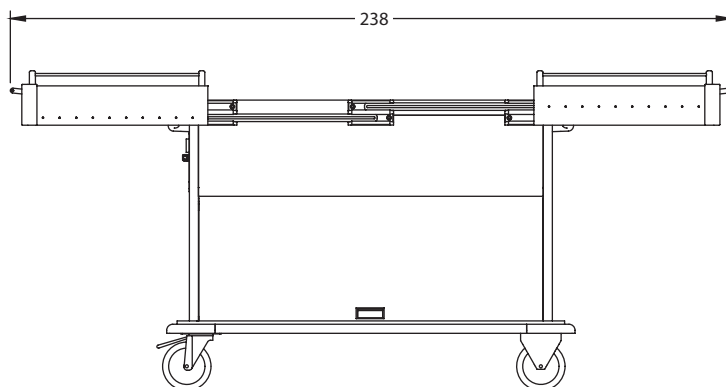
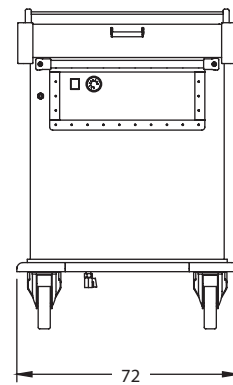
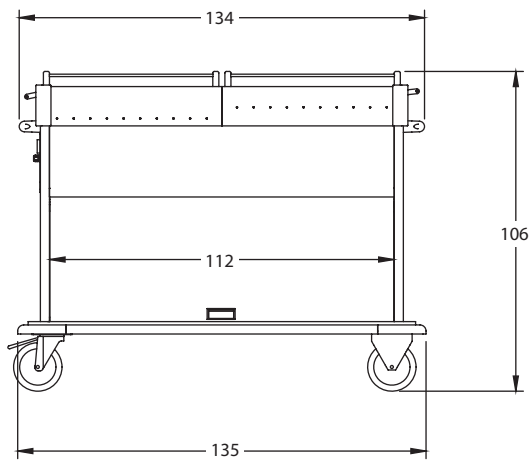
3x1/1 GN



2x1/1 GN



3x1/1 GN

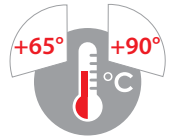
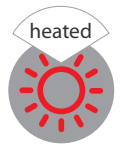


BAIN MARIE TROLLEYS - SINGLE WELL

- AISI 304 stainless steel sheet construction, brushed finish
- Polyurethane foam insulation panels
- Heat-proof push handles
- Single Bain Marie well in pressed steel sheet with no sharp edges; it can take up to 200mm deep GN pans (sold separately)
- Bain Marie drain tap
- Separate and independent lower compartments - either ambient or heated depending on model - complete with runners to fit 1/1 GN containers and insulated up-and-over doors
- Mains supply: 230V, 50/60 Hz, single-phase
- Dry heating element underneath the well
- Control panel with independent thermostatic control - one thermostat for every heated compartment
- 3m long coiled power cable (no plug)
- Edges protected by all round grey non marking rubber bumpers
- Two fixed and two braked swivel castors with heavy-duty brackets, ø 16cm; grey non marking rubber tread on centre with roller bearing hub

Accessories: see p. 214-215

GN containers: see p. 162-163



184

☉ = ambient ☀ = heated

Item 7365A3

| Item | GN | Lower compartment | Power | Max dim. (cm) |
|--------|-------|-------------------|-------|---------------|
| 7360A0 | 2x1/1 | ☉ ☉ | 1200W | 95x72x96 |
| 7360A1 | 2x1/1 | ☉ ☀ | 1450W | 95x72x96 |
| 7360A2 | 2x1/1 | ☀ ☀ | 1700W | 95x72x96 |
| 7365A0 | 3x1/1 | ☉ ☉ ☉ | 1800W | 134x72x96 |
| 7365A1 | 3x1/1 | ☉ ☉ ☀ | 2050W | 134x72x96 |
| 7365A2 | 3x1/1 | ☉ ☀ ☀ | 2300W | 134x72x96 |
| 7365A3 | 3x1/1 | ☀ ☀ ☀ | 2550W | 134x72x96 |
| 7368A0 | 4x1/1 | ☉ ☉ ☉ ☉ | 2400W | 172x72x96 |
| 7368A1 | 4x1/1 | ☉ ☉ ☉ ☀ | 2650W | 172x72x96 |
| 7368A2 | 4x1/1 | ☉ ☉ ☀ ☀ | 2900W | 172x72x96 |
| 7368A3 | 4x1/1 | ☉ ☀ ☀ ☀ | 3150W | 172x72x96 |
| 7368A4 | 4x1/1 | ☀ ☀ ☀ ☀ | 3400W | 172x72x96 |

Options



Description

For item

SE260

1

Set with 4 resilient castors (2 with brake)

All



- Heat-proof lids opening to 180° for Bain Marie trolleys (opened lids can be used as support)
- AISI 304 stainless steel sheet construction, brushed finish



| Options | Description | For item |
|---------|--|-----------------------------|
| C2 | 180° opening lids for 2/1 GN Bain Marie tops | 7360A0-7360A1-7360A2 |
| C3 | 180° opening lids for 3/1 GN Bain Marie tops | 7365A0-7365A1-7365A2-7365A3 |

- Heat-proof lids opening 2/3 + 1/3 on the long side (opened lids can be used as support)
- AISI 304 stainless steel sheet construction, brushed finish



185

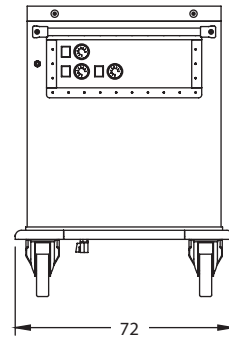
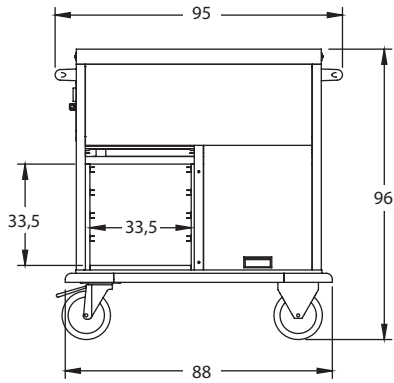
| Options | Description | For item |
|---------|---|-----------------------------|
| L2 | 2/3 + 1/3 opening lids for 2/1 GN Bain Marie tops | 7360A0-7360A1-7360A2 |
| L3 | 2/3 + 1/3 opening lids for 3/1 GN Bain Marie tops | 7365A0-7365A1-7365A2-7365A3 |

- Heat-proof lids sliding on the long side (opened lids can be used as support)
- AISI 304 stainless steel sheet construction, brushed finish

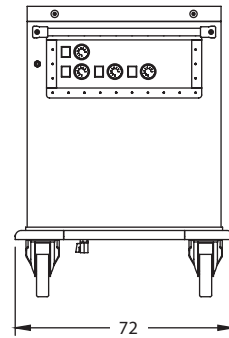
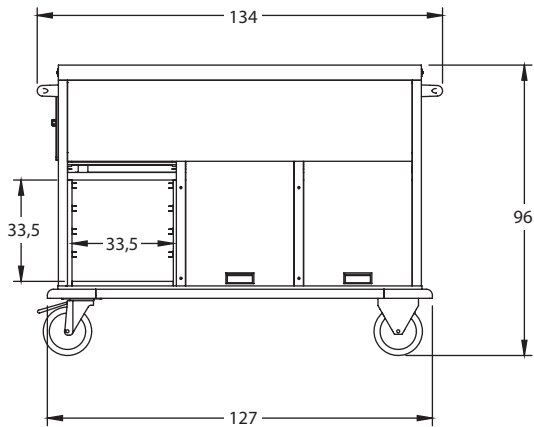


| Options | Description | For item |
|---------|---|-----------------------------|
| S2 | Sliding lids for 2/1 GN Bain Marie tops | 7360A0-7360A1-7360A2 |
| S3 | Sliding lids for 3/1 GN Bain Marie tops | 7365A0-7365A1-7365A2-7365A3 |

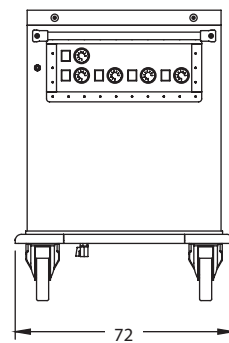
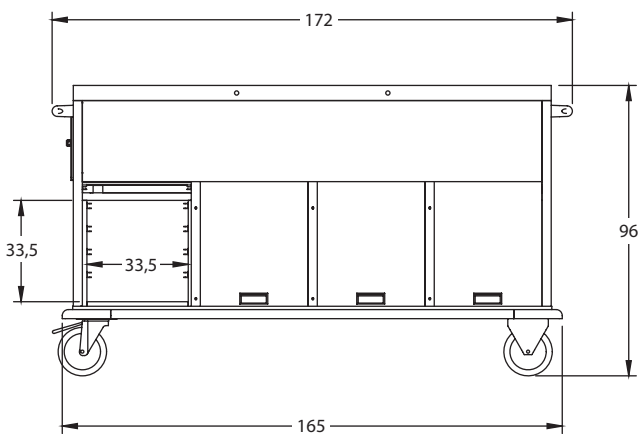
2x1/1 GN



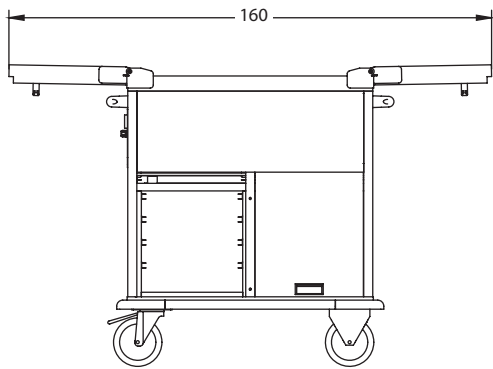
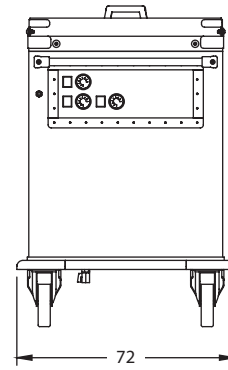
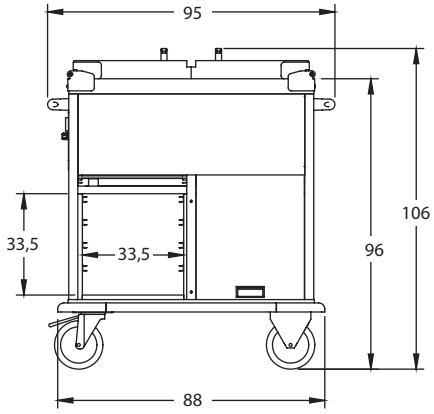
3x1/1 GN



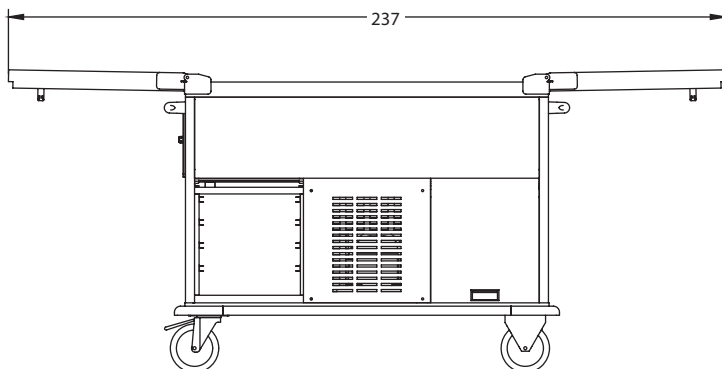
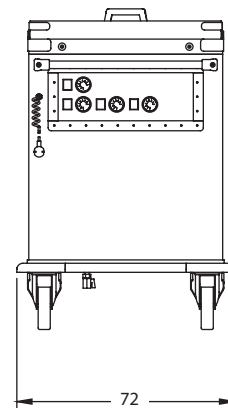
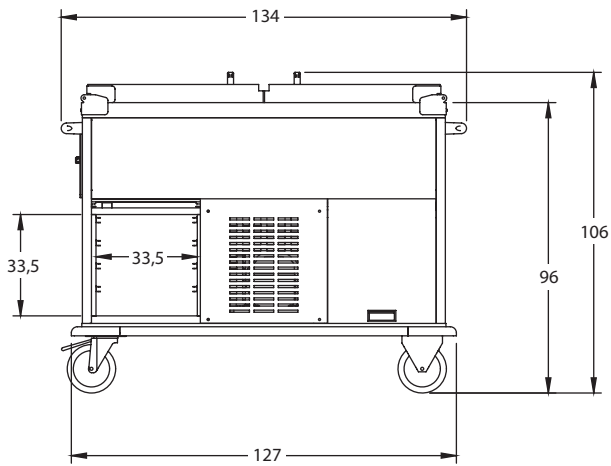
4x1/1 GN



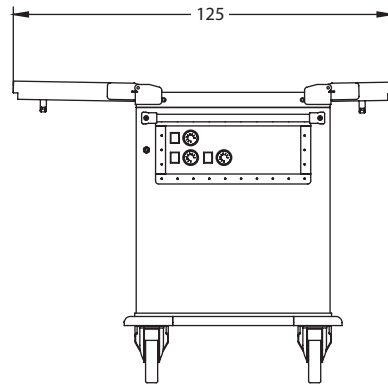
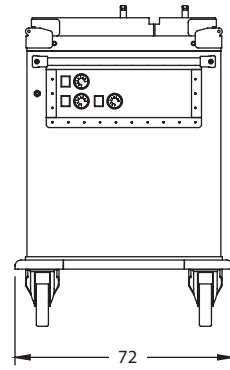
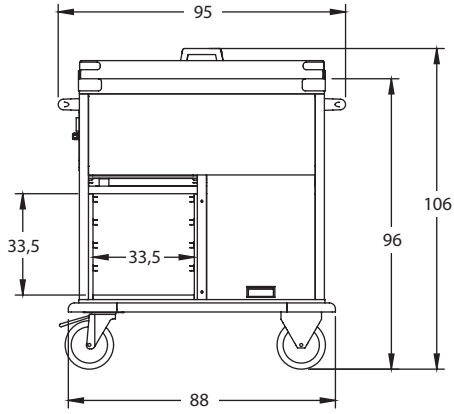
2x1/1 GN



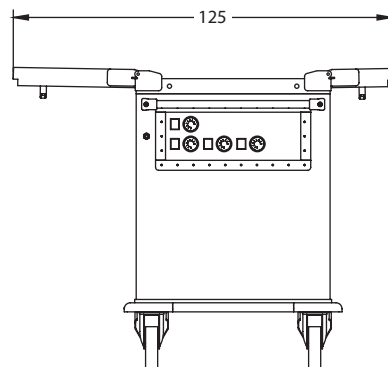
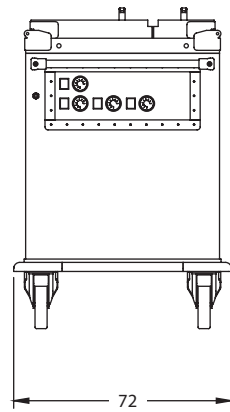
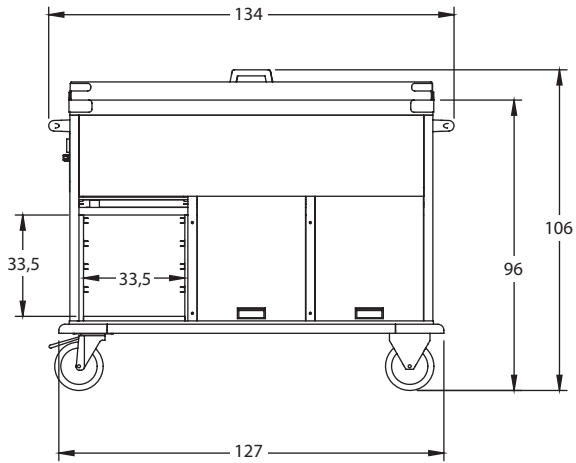
3x1/1 GN



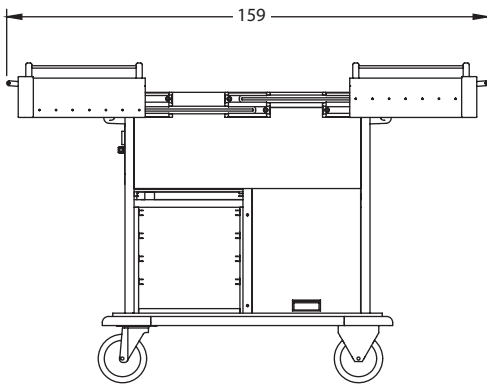
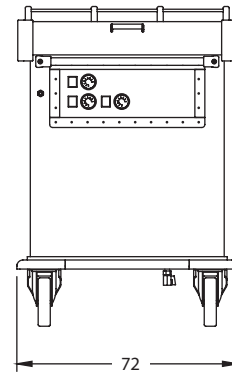
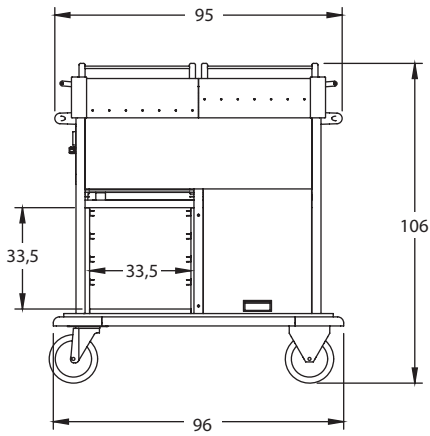
2x1/1 GN



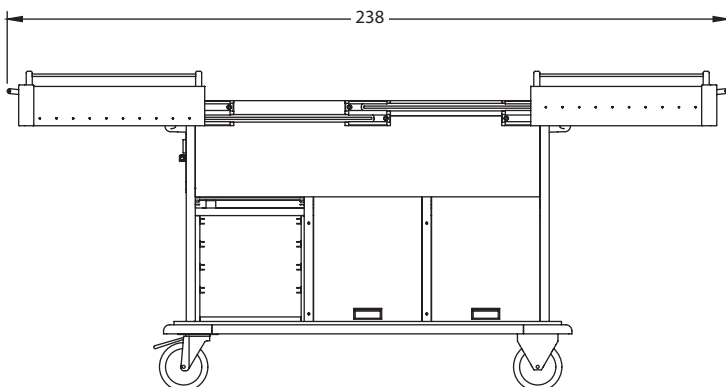
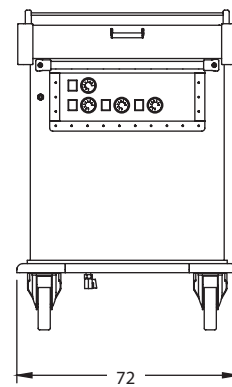
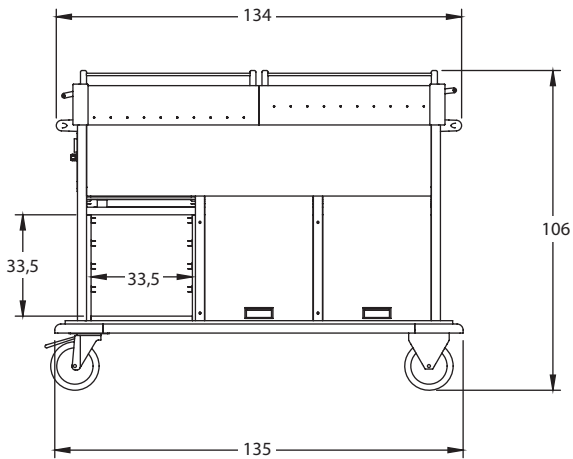
3x1/1 GN



2x1/1 GN



3x1/1 GN

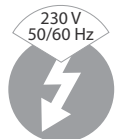
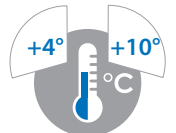
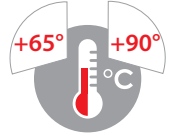
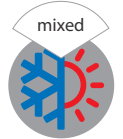
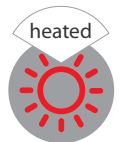


BAIN MARIE TROLLEYS - SINGLE WELL

- AISI 304 stainless steel sheet construction, brushed finish
- Polyurethane foam insulation panels
- Heat-proof push handles
- Single Bain Marie well in pressed steel sheet with no sharp edges; it can take up to 200mm deep GN pans (sold separately)
- Bain Marie drain tap
- Separate and independent lower compartments - either ambient, heated or refrigerated depending on model - complete with runners to fit 1/1 GN containers and insulated up-and-over doors
- Mains supply: 230V, 50/60 Hz, single-phase
- Dry heating element underneath the well
- IPX5 digital control panel supplied as standard with independent thermostatic control - one thermostat for every heated or refrigerated compartment
- 3m long coiled power cable (no plug)
- Edges protected by all round grey non marking rubber bumpers
- Two fixed and two braked swivel castors with heavy-duty brackets, ø 16cm; grey non marking rubber tread on centre with roller bearing hub

Accessories: see p. 214-215

GN containers: see p. 162-163



Item 7365A1F1



Note: IPX5 digital control panel is supplied as standard in the Bain Marie trolleys with refrigerated compartments

☉ = ambient ☀ = heated ❄ = refrigerated

| Item | GN | Lower compartment | Power | Max dim. (cm) |
|----------|-------|-------------------|-------|---------------|
| 7360A0F1 | 2x1/1 | ❄ | 1600W | 95x72x96 |
| 7365A0F2 | 3x1/1 | ❄ ❄ | 2200W | 134x72x96 |
| 7365A1F1 | 3x1/1 | ☀ ❄ | 2450W | 134x72x96 |
| 7368A0F2 | 4x1/1 | ☉ ❄ ❄ | 2800W | 172x72x96 |
| 7368A1F2 | 4x1/1 | ☀ ❄ ❄ | 3050W | 172x72x96 |
| 7368A2F1 | 4x1/1 | ☀ ☀ ❄ | 3300W | 172x72x96 |

Options



Description

For item

SE260

1

Set with 4 resilient castors (2 with brake)

All



- Heat-proof lids opening to 180° for Bain Marie trolleys (opened lids can be used as support)
- AISI 304 stainless steel sheet construction, brushed finish



| Options | Description | For item |
|---------|--|-------------------|
| C2 | 180° opening lids for 2/1 GN Bain Marie tops | 7360A0F1 |
| C3 | 180° opening lids for 3/1 GN Bain Marie tops | 7365A0F2-7365A1F1 |

- Heat-proof lids opening 2/3 + 1/3 on the long side (opened lids can be used as support)
- AISI 304 stainless steel sheet construction, brushed finish



191

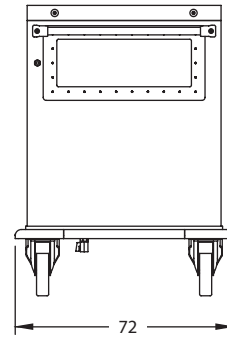
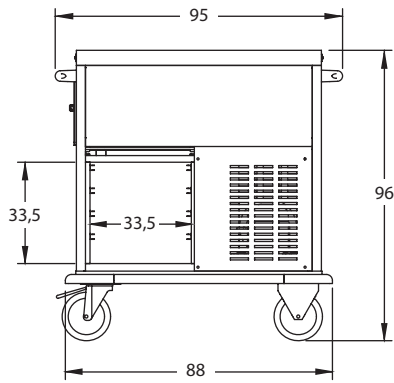
| Options | Description | For item |
|---------|---|-------------------|
| L2 | 2/3 + 1/3 opening lids for 2/1 GN Bain Marie tops | 7360A0F1 |
| L3 | 2/3 + 1/3 opening lids for 3/1 GN Bain Marie tops | 7365A0F2-7365A1F1 |

- Heat-proof lids sliding on the long side (opened lids can be used as support)
- AISI 304 stainless steel sheet construction, brushed finish

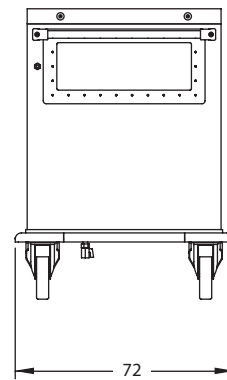
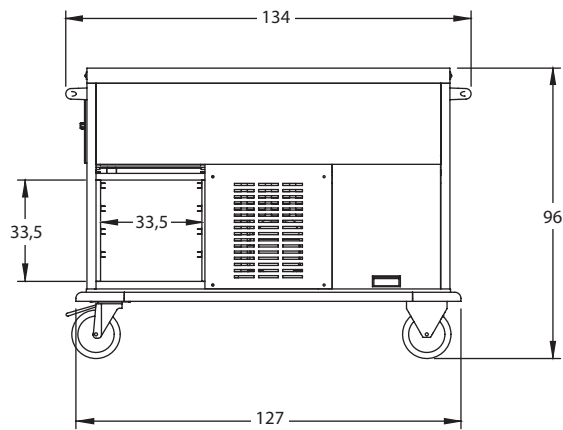


| Options | Description | For item |
|---------|---|-------------------|
| S2 | Sliding lids for 2/1 GN Bain Marie tops | 7360A0F1 |
| S3 | Sliding lids for 3/1 GN Bain Marie tops | 7365A0F2-7365A1F1 |

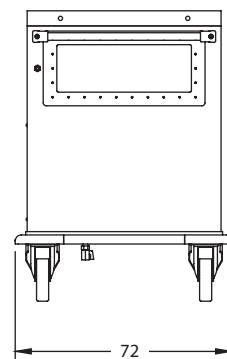
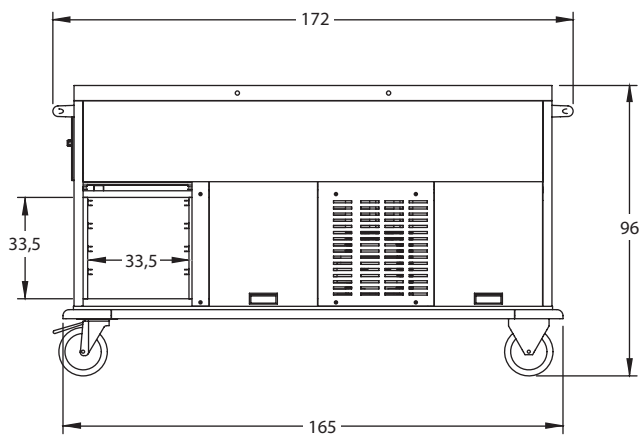
2x1/1 GN



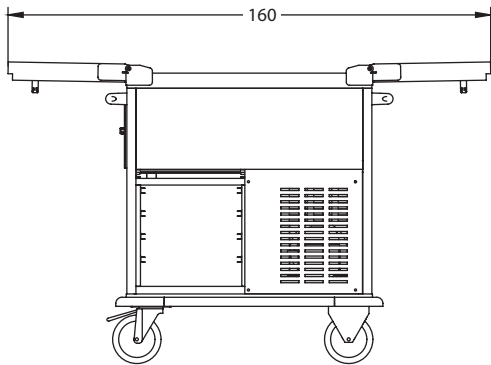
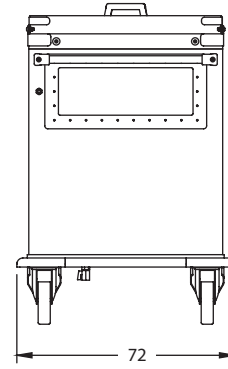
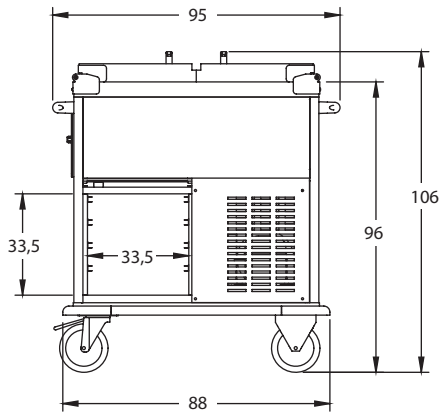
3x1/1 GN



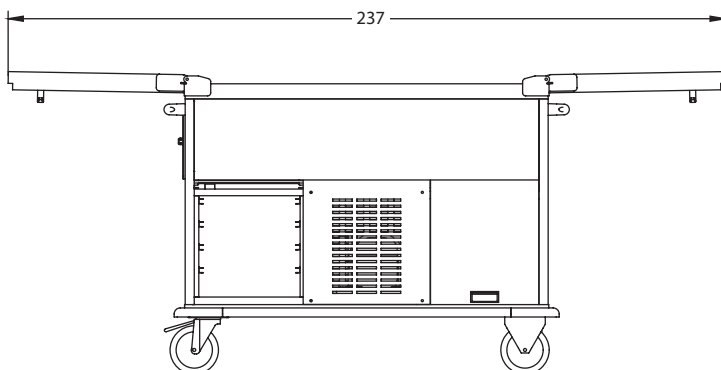
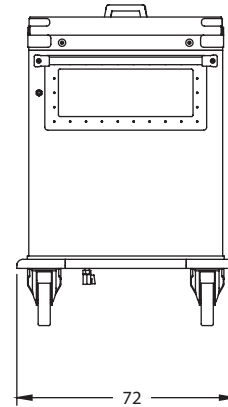
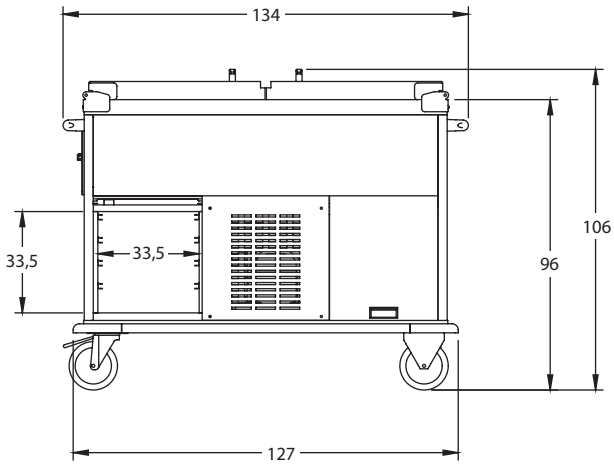
4x1/1 GN



2x1/1 GN

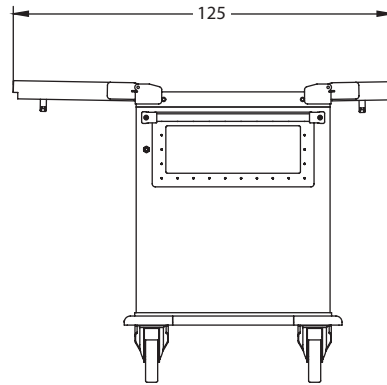
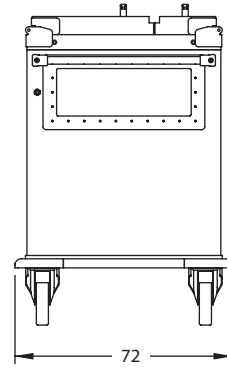
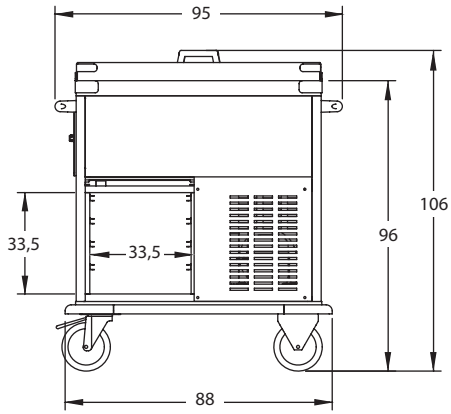


3x1/1 GN

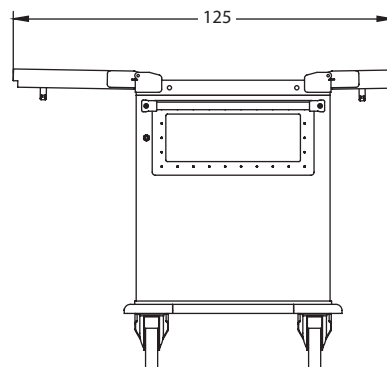
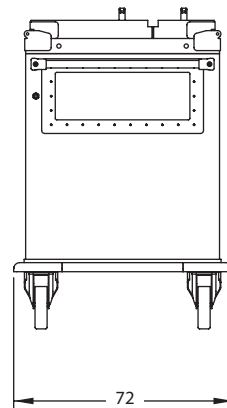
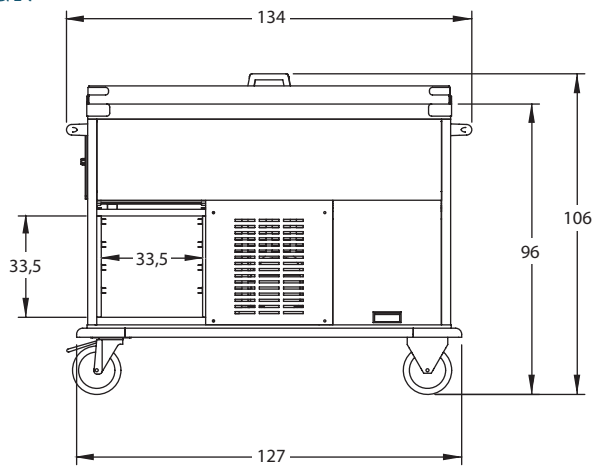


BAIN MARIE TROLLEYS - 2/3 + 1/3 OPENING LIDS

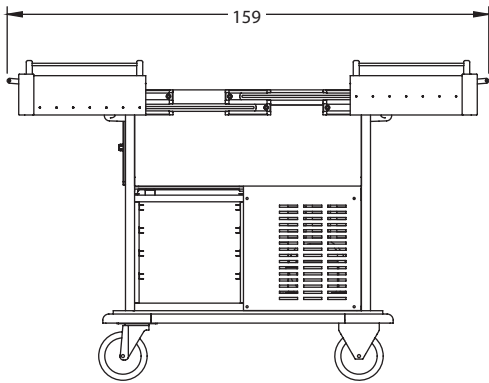
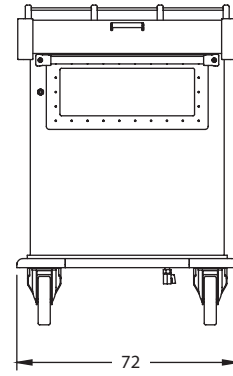
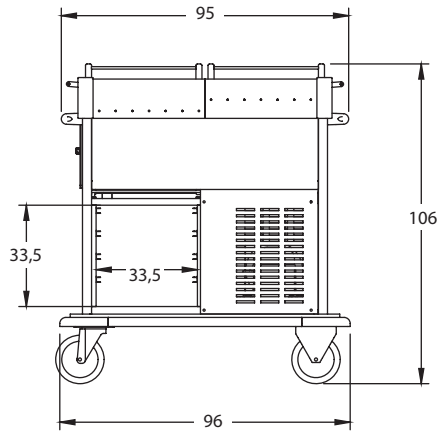
2x1/1 GN



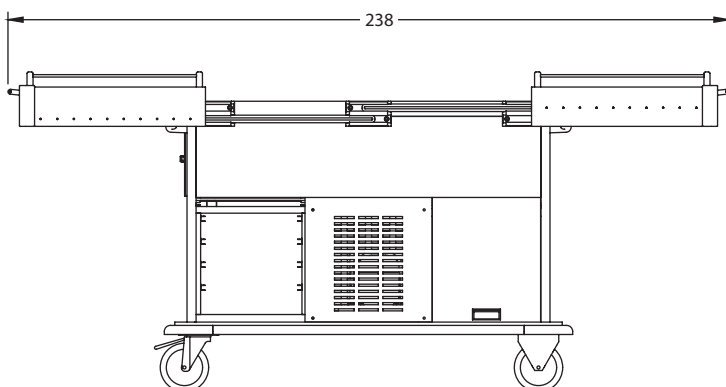
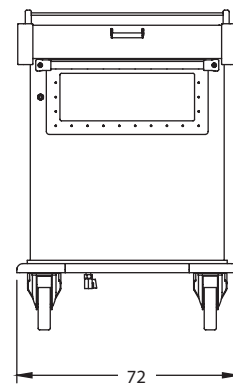
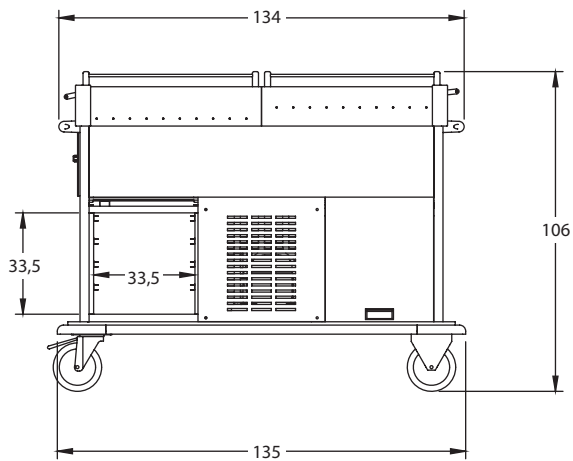
3x1/1 GN



2x1/1 GN

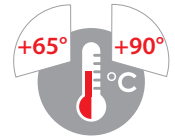
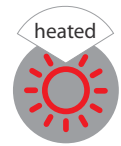


3x1/1 GN



BAIN MARIE TROLLEYS - WELLS WITH SEPARATE TEMPERATURE CONTROL

- AISI 304 stainless steel sheet construction, brushed finish
- Polyurethane foam insulation panels
- Heat-proof push handles
- Separate Bain Marie wells in pressed steel sheet with no sharp edges; they can take up to 200mm deep GN pans (sold separately)
- Separate drain taps
- Single lower ambient compartment with up-and-over door
- Mains supply: 230V, 50/60 Hz, single-phase
- Dry heating element underneath every well
- Control panel with independent thermostatic control, one thermostat for every well
- 3m long coiled power cable (no plug)
- Edges protected by all round grey non marking rubber bumpers
- Two fixed and two braked swivel castors with heavy-duty brackets, ø 16cm; grey non marking rubber tread on centre with roller bearing hub



Accessories: see p. 214-215

GN containers: see p. 162-163

196



Item 7375A

⊖ = ambient

| Item | GN | Lower compartment | Power | Max dim. (cm) |
|-------|-------|-------------------|-------|---------------|
| 7370A | 2x1/1 | ⊖ | 1200W | 95x72x96 |
| 7375A | 3x1/1 | ⊖ | 1800W | 134x72x96 |
| 7378A | 4x1/1 | ⊖ | 2400W | 172x72x96 |

Options



Description

For item

SE260

1

Set with 4 resilient castors (2 with brake)

All



- Heat-proof lids opening to 180° for Bain Marie trolleys (opened lids can be used as support)
- AISI 304 stainless steel sheet construction, brushed finish



| Options | Description | For item |
|---------|--|----------|
| C2 | 180° opening lids for 2/1 GN Bain Marie tops | 7370A |
| C3 | 180° opening lids for 3/1 GN Bain Marie tops | 7375A |

- Heat-proof lids opening 2/3 + 1/3 on the long side (opened lids can be used as support)
- AISI 304 stainless steel sheet construction, brushed finish



197

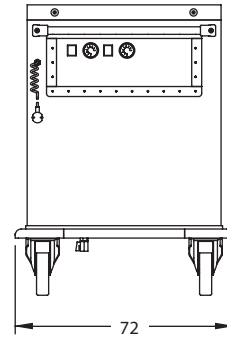
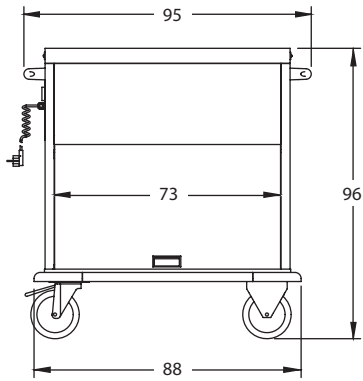
| Options | Description | For item |
|---------|---|----------|
| L2 | 2/3 + 1/3 opening lids for 2/1 GN Bain Marie tops | 7370A |
| L3 | 2/3 + 1/3 opening lids for 3/1 GN Bain Marie tops | 7375A |

- Heat-proof lids sliding on the long side (opened lids can be used as support)
- AISI 304 stainless steel sheet construction, brushed finish

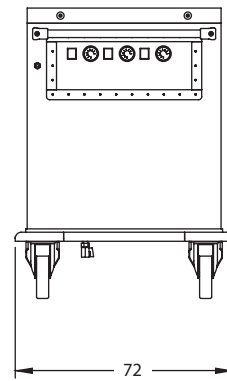
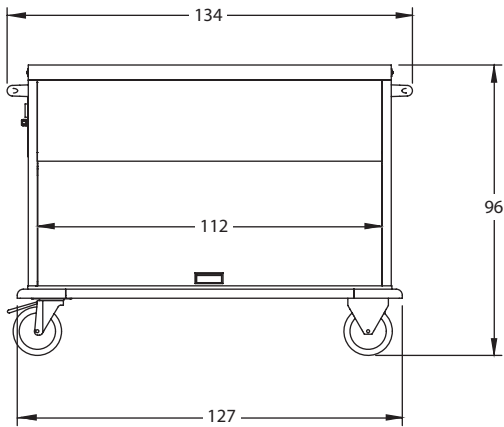


| Options | Description | For item |
|---------|---|----------|
| S2 | Sliding lids for 2/1 GN Bain Marie tops | 7370A |
| S3 | Sliding lids for 3/1 GN Bain Marie tops | 7375A |

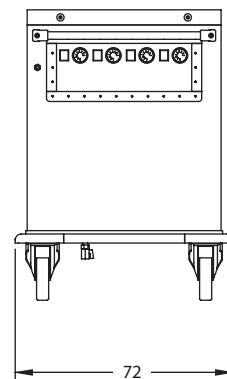
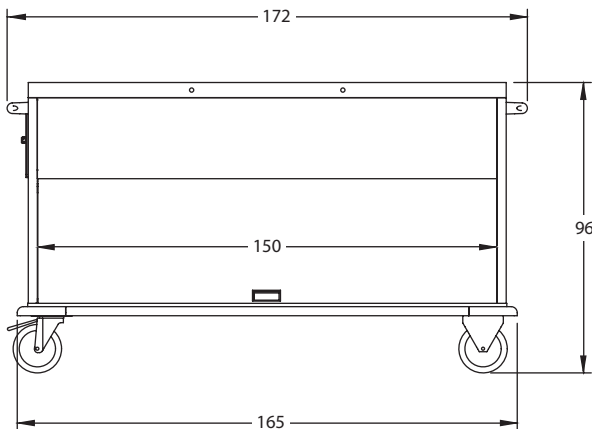
2x1/ 1 GN



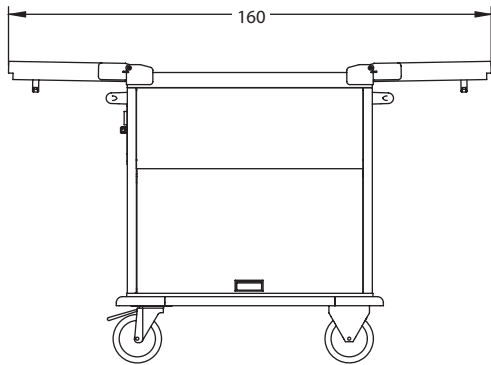
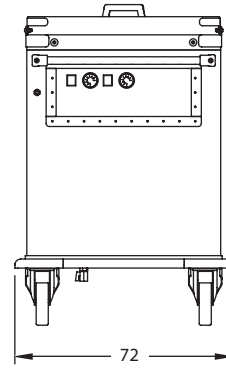
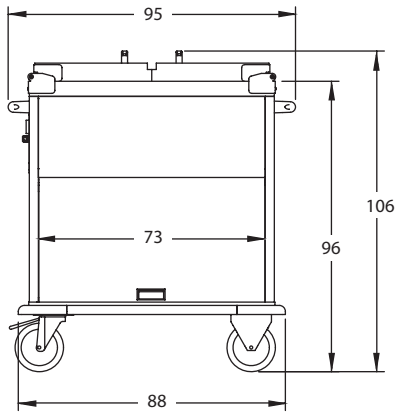
3x1/ 1 GN



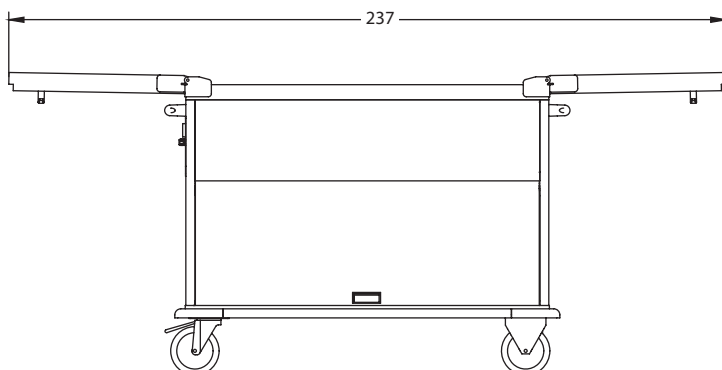
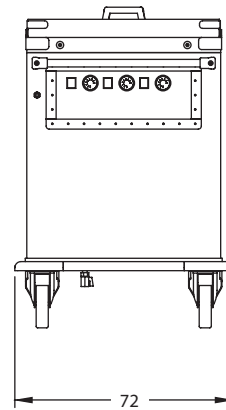
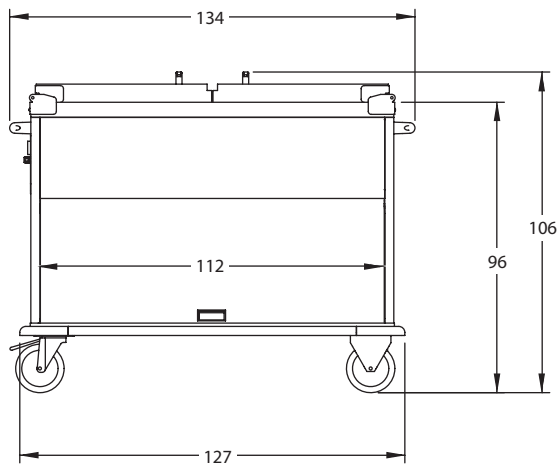
4x1/ 1 GN



2x1/1 GN

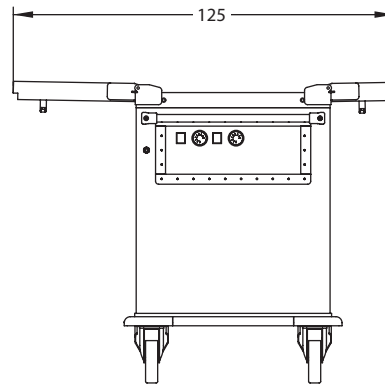
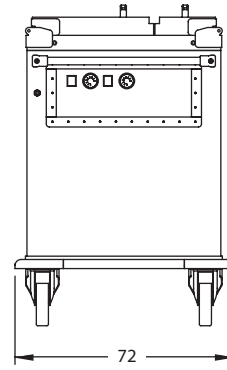
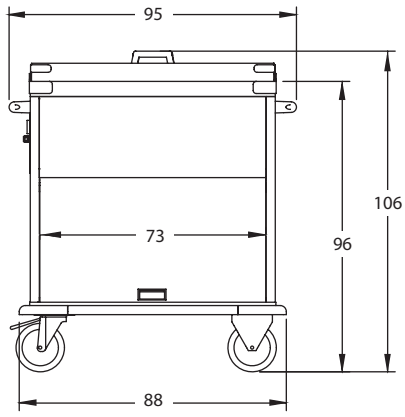


3x1/1 GN

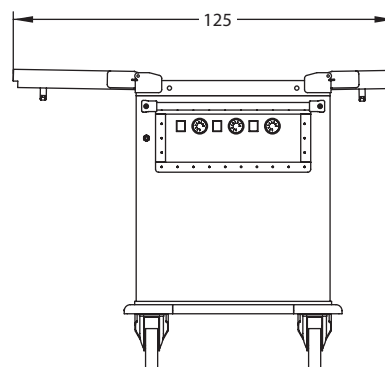
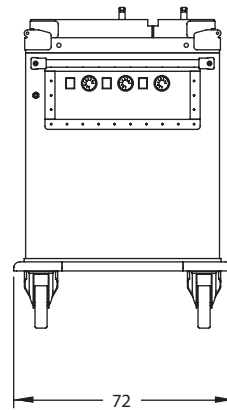
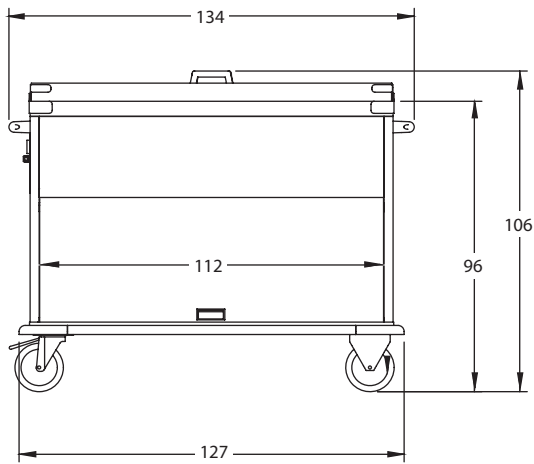


BAIN MARIE TROLLEYS - 2/3 + 1/3 OPENING LIDS

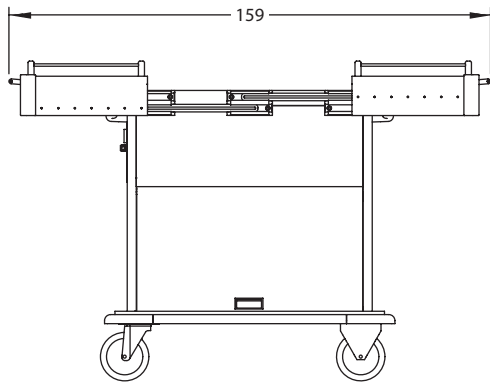
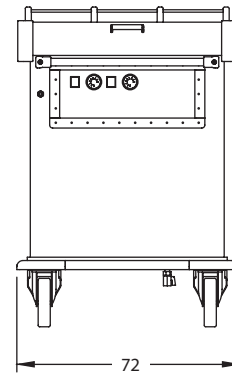
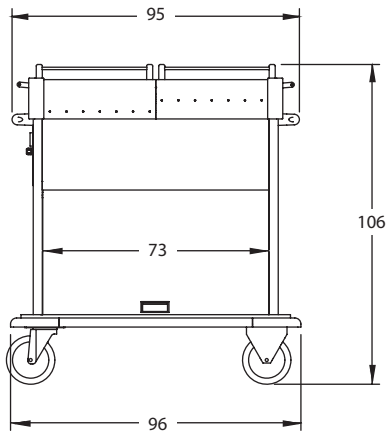
2x1/1 GN



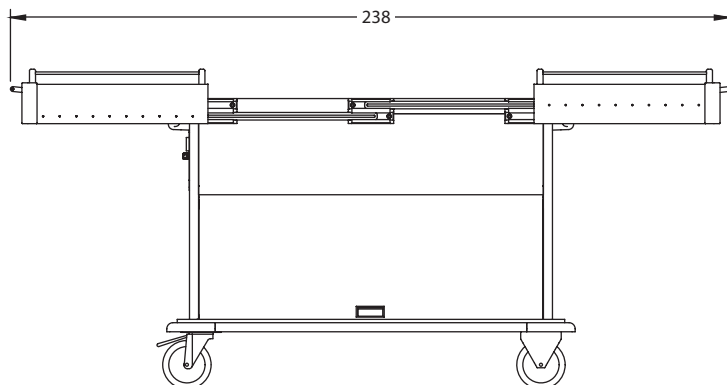
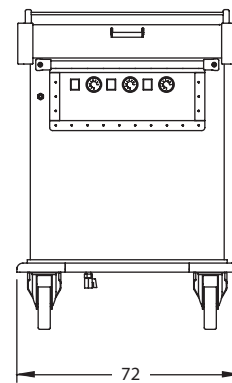
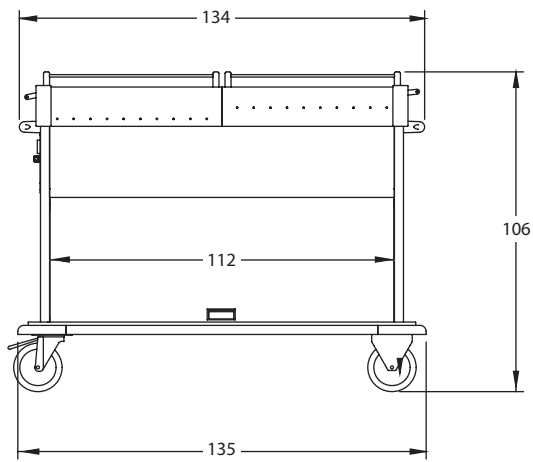
3x1/1 GN



2x1/1 GN

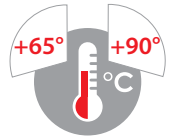
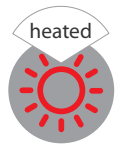


3x1/1 GN



BAIN MARIE TROLLEYS - WELLS WITH SEPARATE TEMPERATURE CONTROL

- AISI 304 stainless steel sheet construction, brushed finish
- Polyurethane foam insulation panels
- Heat-proof push handles
- Separate Bain Marie wells in pressed steel sheet with no sharp edges; they can take up to 200mm deep GN pans (sold separately)
- Separate drain taps
- Separate and independent lower compartments - either ambient or heated depending on model - complete with runners to fit 1/1 GN containers and insulated up-and-over doors
- Mains supply: 230V, 50/60 Hz, single-phase
- Dry heating element underneath every well
- Control panel with independent thermostatic control, one thermostat for every well
- 3m long coiled power cable (no plug)
- Edges protected by all round grey non marking rubber bumpers
- Two fixed and two braked swivel castors with heavy-duty brackets, ø 16cm; grey non marking rubber tread on centre with roller bearing hub



Accessories: see p. 214-215

GN containers: see p. 162-163



Item 7375A3

☉ = ambient ☀ = heated

| Item | GN | Lower compartment | Power | Max dim. (cm) |
|--------|-------|-------------------|-------|---------------|
| 7370A0 | 2x1/1 | ☉ ☉ | 1200W | 95x72x96 |
| 7370A1 | 2x1/1 | ☉ ☀ | 1450W | 95x72x96 |
| 7370A2 | 2x1/1 | ☀ ☀ | 1700W | 95x72x96 |
| 7375A0 | 3x1/1 | ☉ ☉ ☉ | 1800W | 134x72x96 |
| 7375A1 | 3x1/1 | ☉ ☉ ☀ | 2050W | 134x72x96 |
| 7375A2 | 3x1/1 | ☉ ☀ ☀ | 2300W | 134x72x96 |
| 7375A3 | 3x1/1 | ☀ ☀ ☀ | 2550W | 134x72x96 |
| 7378A0 | 4x1/1 | ☉ ☉ ☉ ☉ | 2400W | 172x72x96 |
| 7378A1 | 4x1/1 | ☉ ☉ ☉ ☀ | 2650W | 172x72x96 |
| 7378A2 | 4x1/1 | ☉ ☉ ☀ ☀ | 2900W | 172x72x96 |
| 7378A3 | 4x1/1 | ☉ ☀ ☀ ☀ | 3150W | 172x72x96 |
| 7378A4 | 4x1/1 | ☀ ☀ ☀ ☀ | 3400W | 172x72x96 |

Options



Description

For item

SE260

1 Set with 4 resilient castors (2 with brake)

All



- Heat-proof lids opening to 180° for Bain Marie trolleys (opened lids can be used as support)
- AISI 304 stainless steel sheet construction, brushed finish



| Options | Description | For item |
|---------|--|-----------------------------|
| C2 | 180° opening lids for 2/1 GN Bain Marie tops | 7370A0-7370A1-7370A2 |
| C3 | 180° opening lids for 3/1 GN Bain Marie tops | 7375A0-7375A1-7375A2-7375A3 |

- Heat-proof lids opening 2/3 + 1/3 on the long side (opened lids can be used as support)
- AISI 304 stainless steel sheet construction, brushed finish



203

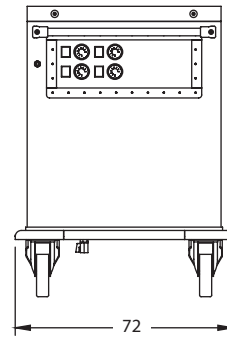
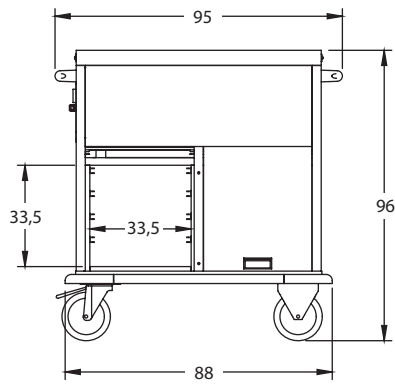
| Options | Description | For item |
|---------|---|-----------------------------|
| L2 | 2/3 + 1/3 opening lids for 2/1 GN Bain Marie tops | 7370A0-7370A1-7370A2 |
| L3 | 2/3 + 1/3 opening lids for 3/1 GN Bain Marie tops | 7375A0-7375A1-7375A2-7375A3 |

- Heat-proof lids sliding on the long side (opened lids can be used as support)
- AISI 304 stainless steel sheet construction, brushed finish

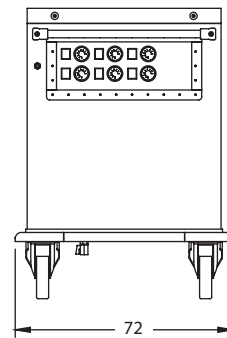
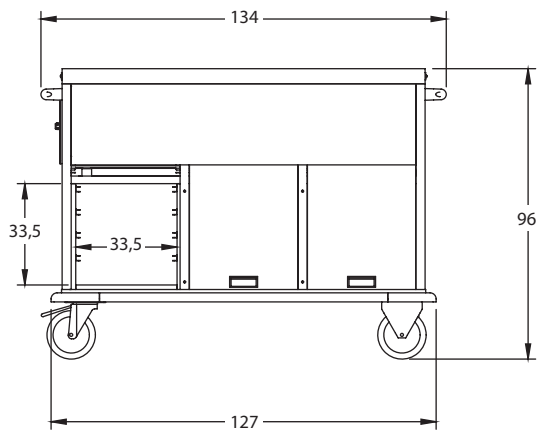


| Options | Description | For item |
|---------|---|-----------------------------|
| S2 | Sliding lids for 2/1 GN Bain Marie tops | 7370A0-7370A1-7370A2 |
| S3 | Sliding lids for 3/1 GN Bain Marie tops | 7375A0-7375A1-7375A2-7375A3 |

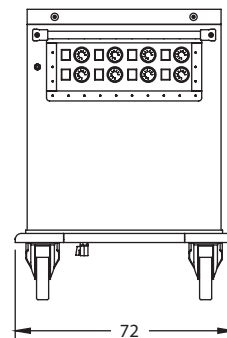
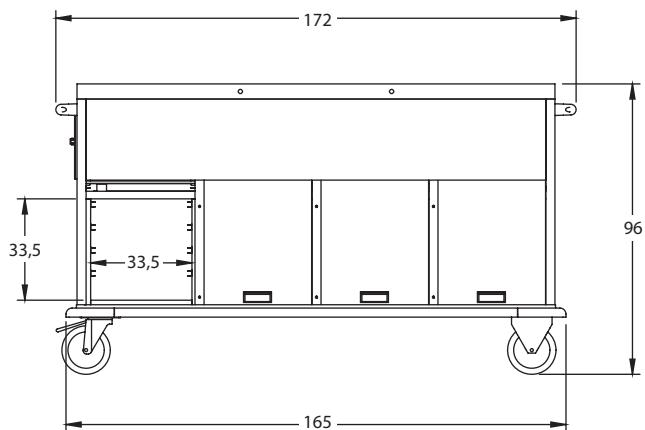
2x1/1 GN



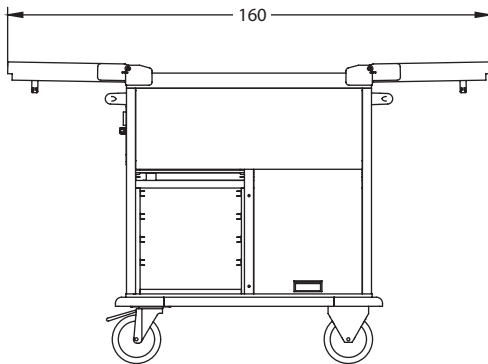
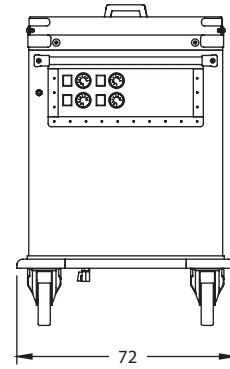
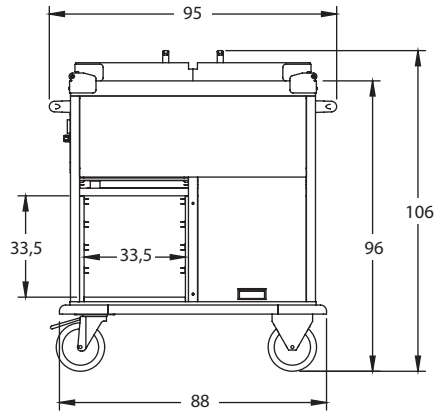
3x1/1 GN



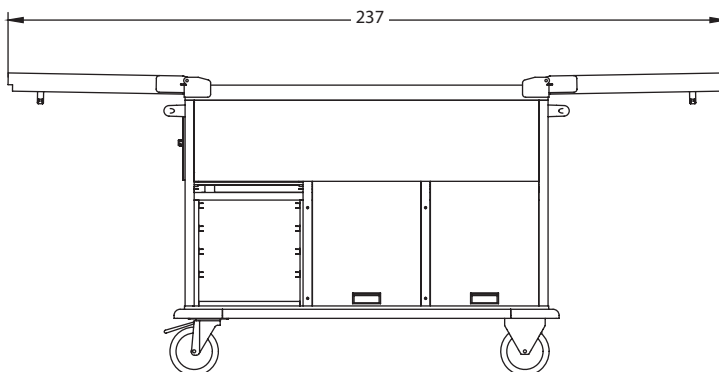
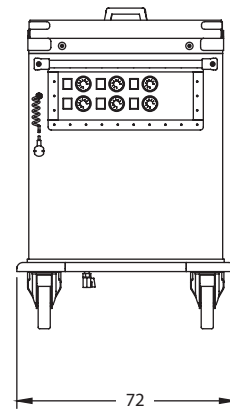
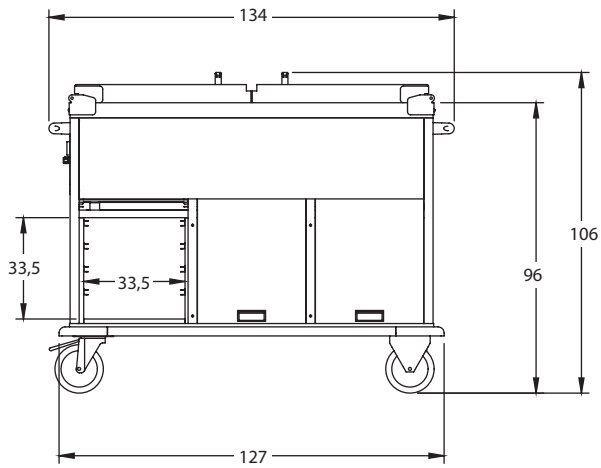
4x1/1 GN



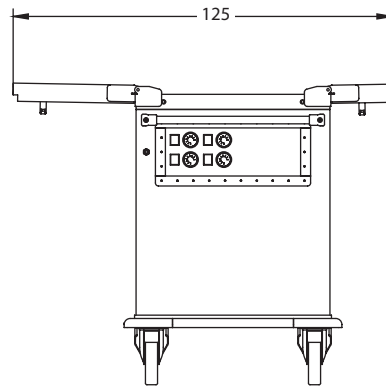
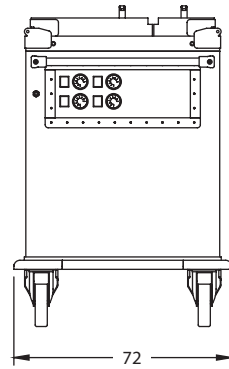
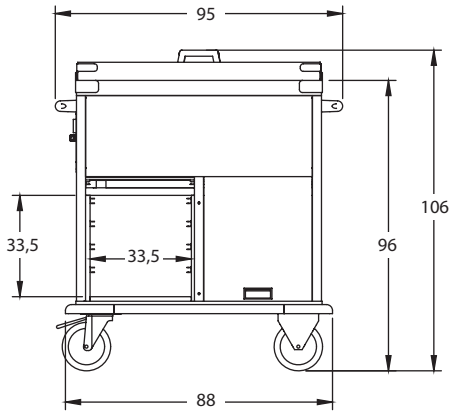
2x1/1 GN



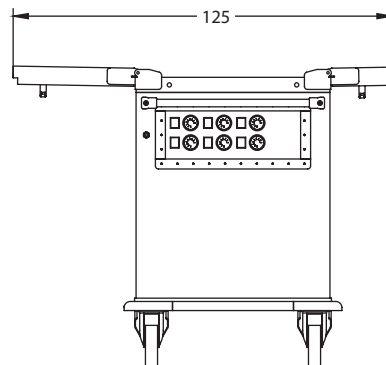
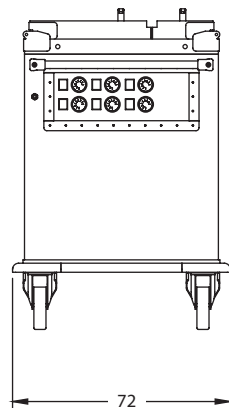
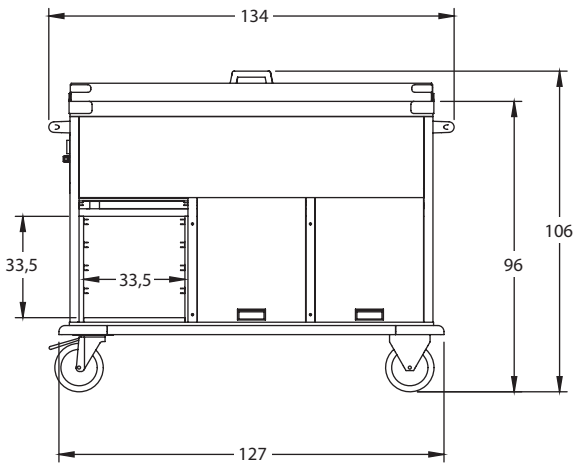
3x1/1 GN



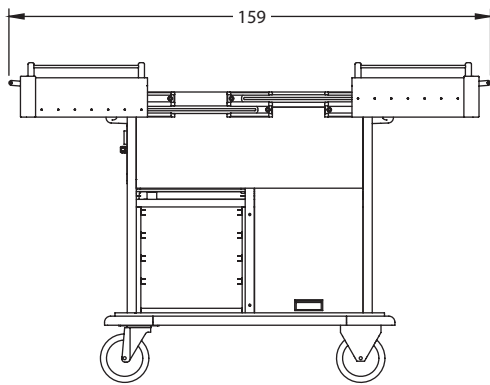
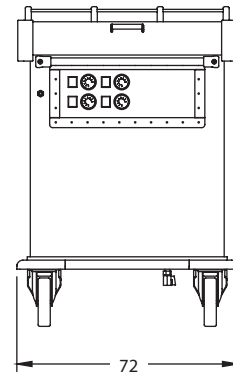
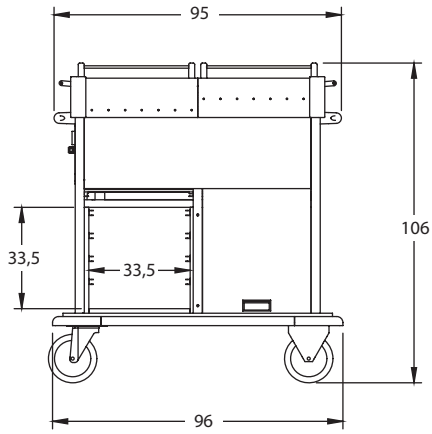
2x1/1 GN



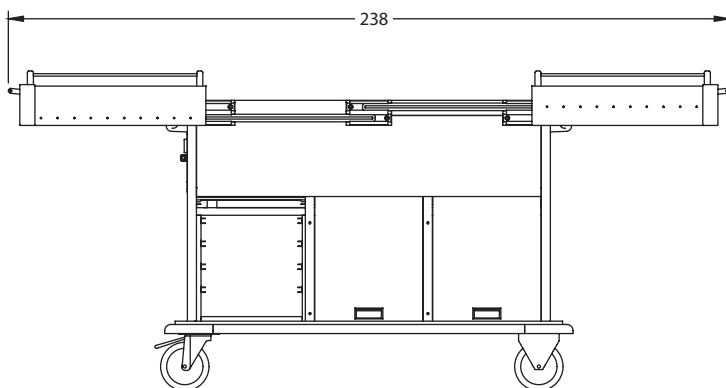
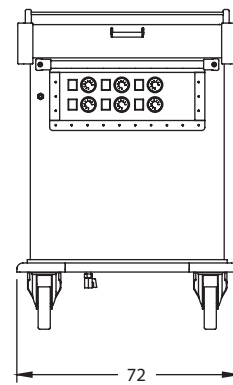
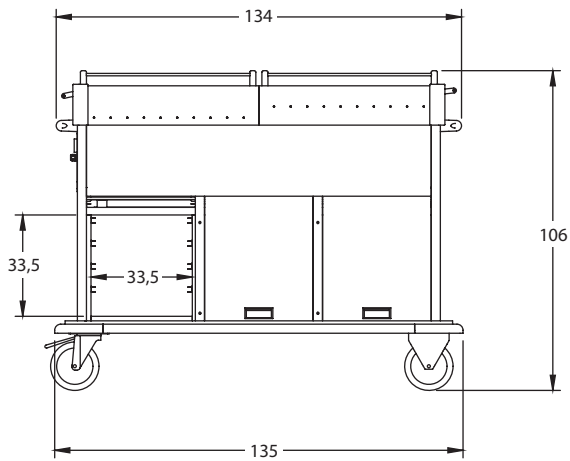
3x1/1 GN



2x1/1 GN



3x1/1 GN

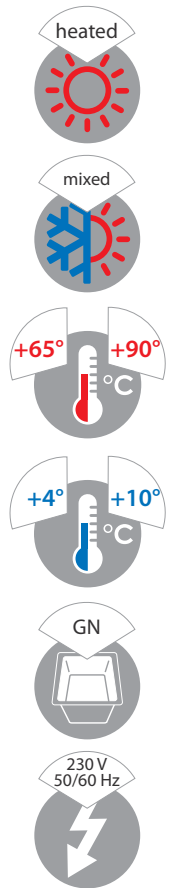


BAIN MARIE TROLLEYS - WELLS WITH SEPARATE TEMPERATURE CONTROL

- AISI 304 stainless steel sheet construction, brushed finish
- Polyurethane foam insulation panels
- Heat-proof push handles
- Separate Bain Marie wells in pressed steel sheet with no sharp edges; they can take up to 200mm deep GN pans (sold separately)
- Separate drain taps
- Separate and independent lower compartments - either ambient, heated or refrigerated depending on model - complete with runners to fit 1/1 GN containers and insulated up-and-over doors
- Mains supply: 230V, 50/60 Hz, single-phase
- Dry heating element underneath every well
- IPX5 digital control panel supplied as standard, fitted with independent adjustable thermostats, one for every heated or refrigerated compartment
- 3m long coiled power cable (no plug)
- Edges protected by all round grey non marking rubber bumpers
- Two fixed and two braked swivel castors with heavy-duty brackets, ø 16cm; grey non marking rubber tread on centre with roller bearing hub

Accessories: see p. 214-215

GN containers: see p. 162-163



Item 7375A1F1



Note: IPX5 digital control panel is supplied as standard in the Bain Marie trolleys with refrigerated compartments

☉ = ambient ☀ = heated ❄ = refrigerated

| Item | GN | Lower compartment | Power | Max dim. (cm) |
|----------|-------|-------------------|-------|---------------|
| 7370A0F1 | 2x1/1 | ❄ | 1600W | 95x72x96 |
| 7375A0F2 | 3x1/1 | ❄ ❄ | 2200W | 134x72x96 |
| 7375A1F1 | 3x1/1 | ☀ ❄ | 2450W | 134x72x96 |
| 7378A0F2 | 4x1/1 | ☉ ❄ ❄ | 2800W | 172x72x96 |
| 7378A1F2 | 4x1/1 | ☀ ❄ ❄ | 3050W | 172x72x96 |
| 7378A2F1 | 4x1/1 | ☀ ☀ ❄ | 3300W | 172x72x96 |

| Options | Description | For item |
|---------|---|----------|
| SE260 | 1 Set with 4 resilient castors (2 with brake) | All |



- Heat-proof lids opening to 180° for Bain Marie trolleys (opened lids can be used as support)
- AISI 304 stainless steel sheet construction, brushed finish



| Options | Description | For item |
|---------|--|-------------------|
| C2 | 180° opening lids for 2/1 GN Bain Marie tops | 7370A0F1 |
| C3 | 180° opening lids for 3/1 GN Bain Marie tops | 7375A0F2-7375A1F1 |

- Heat-proof lids opening 2/3 + 1/3 on the long side (opened lids can be used as support)
- AISI 304 stainless steel sheet construction, brushed finish



209

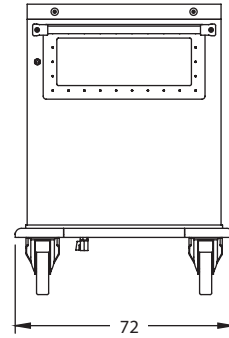
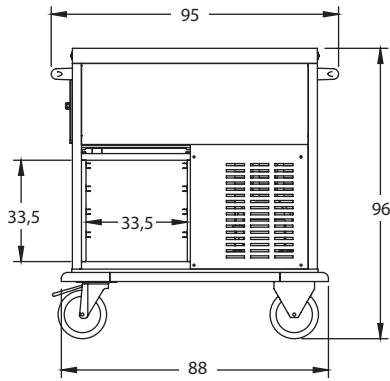
| Options | Description | For item |
|---------|---|-------------------|
| L2 | 2/3 + 1/3 opening lids for 2/1 GN Bain Marie tops | 7370A0F1 |
| L3 | 2/3 + 1/3 opening lids for 3/1 GN Bain Marie tops | 7375A0F2-7375A1F1 |

- Heat-proof lids sliding on the long side (opened lids can be used as support)
- AISI 304 stainless steel sheet construction, brushed finish

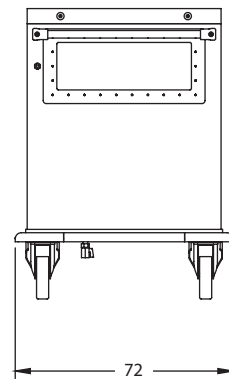
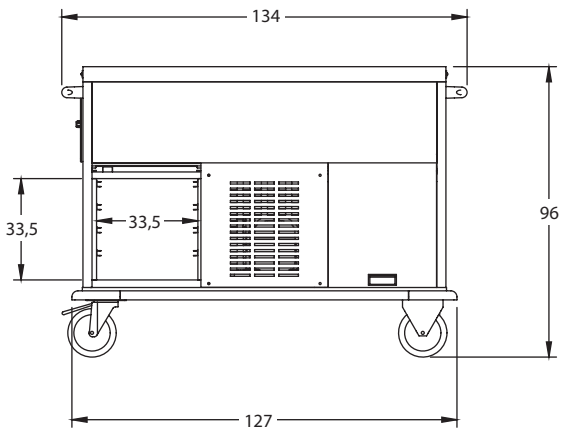


| Options | Description | For item |
|---------|---|-------------------|
| S2 | Sliding lids for 2/1 GN Bain Marie tops | 7370A0F1 |
| S3 | Sliding lids for 3/1 GN Bain Marie tops | 7375A0F2-7375A1F1 |

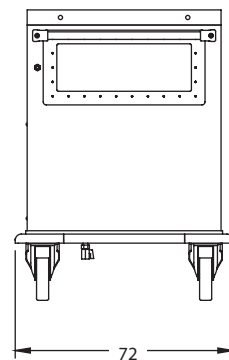
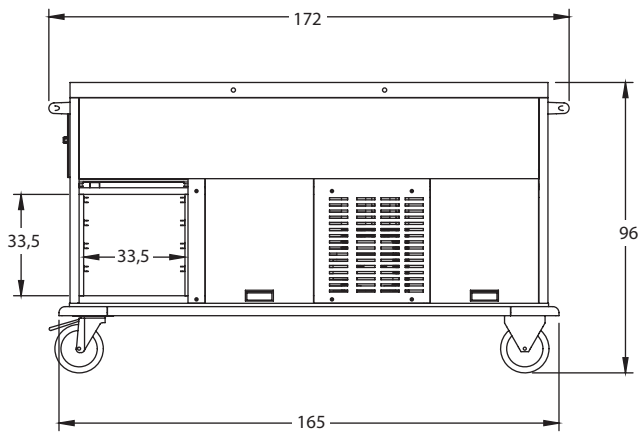
2x1/1 GN



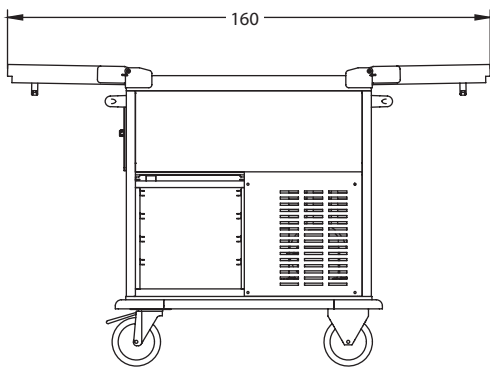
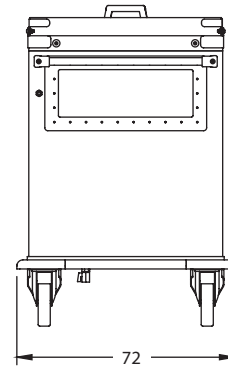
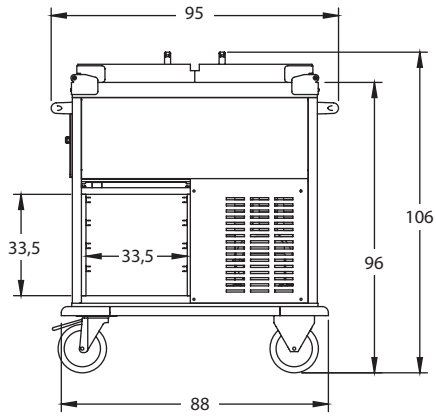
3x1/1 GN



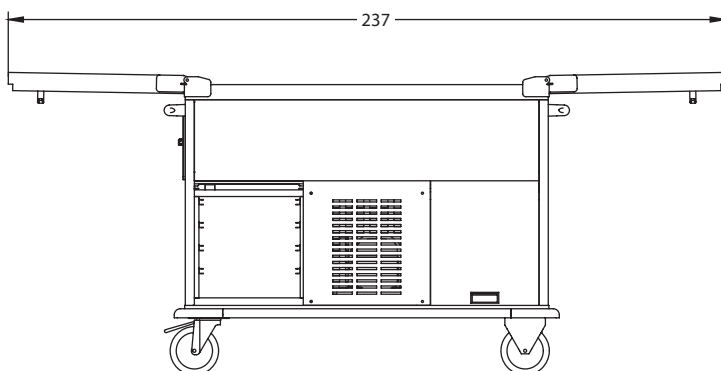
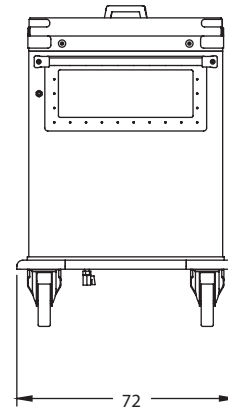
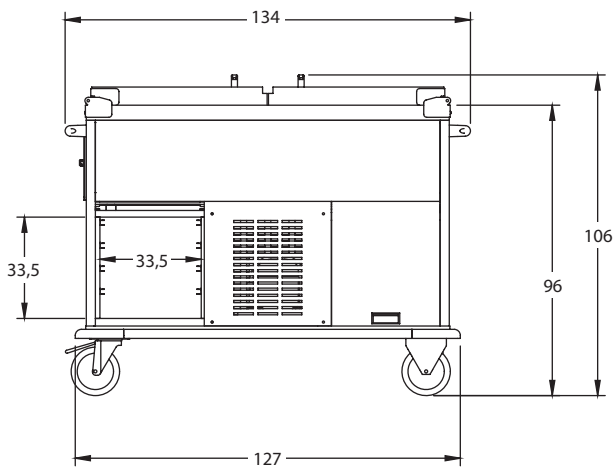
4x1/1 GN



2x1/1 GN

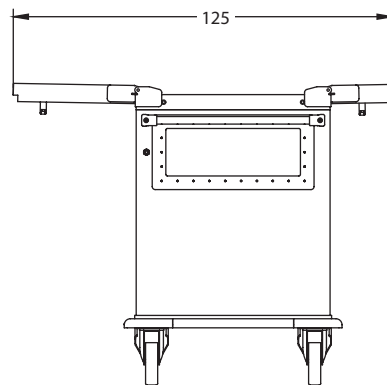
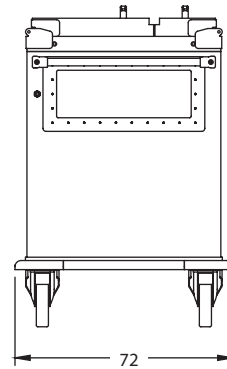
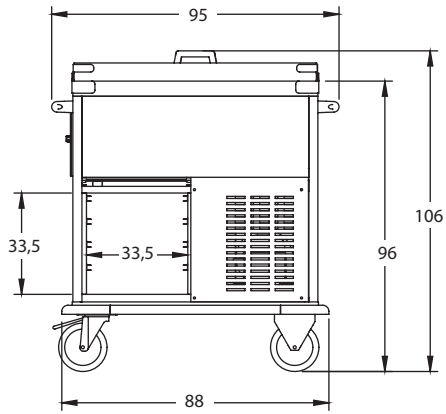


3x1/1 GN

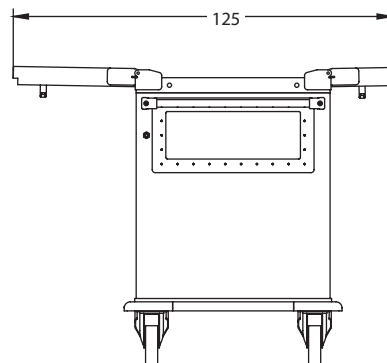
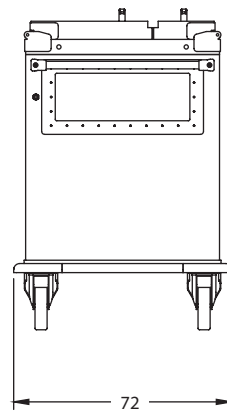
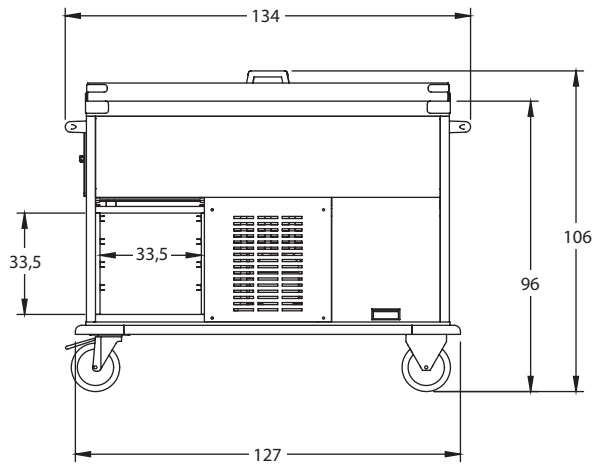


BAIN MARIE TROLLEYS - 2/3 + 1/3 OPENING LIDS

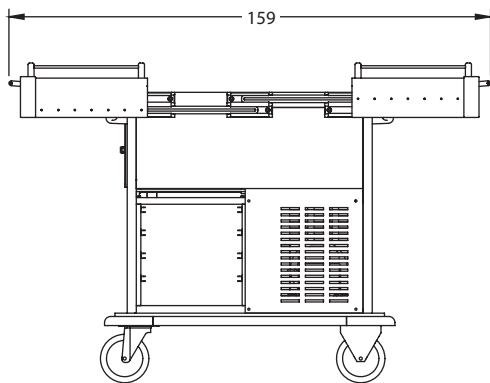
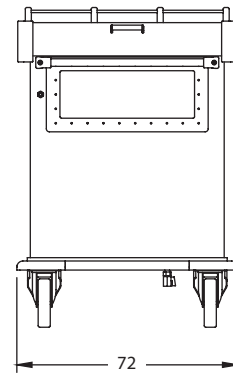
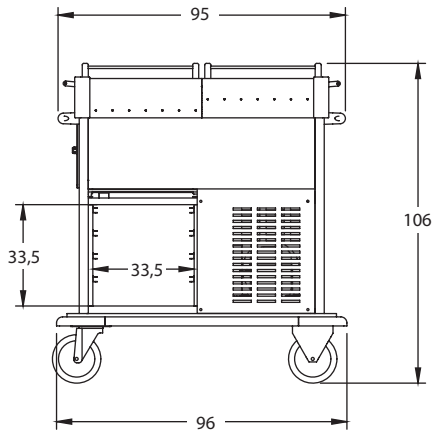
2x1/1 GN



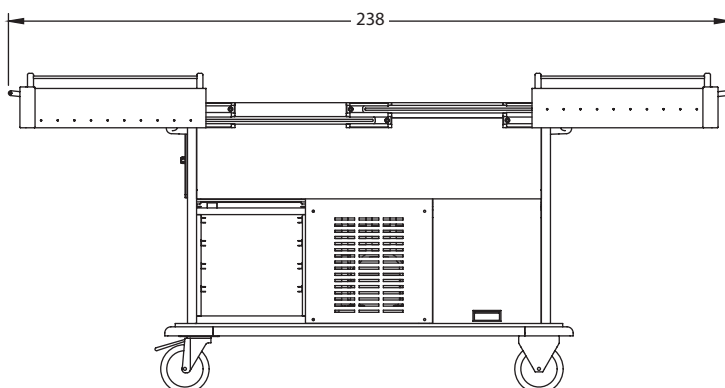
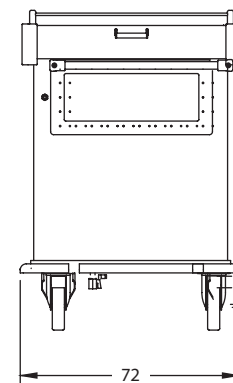
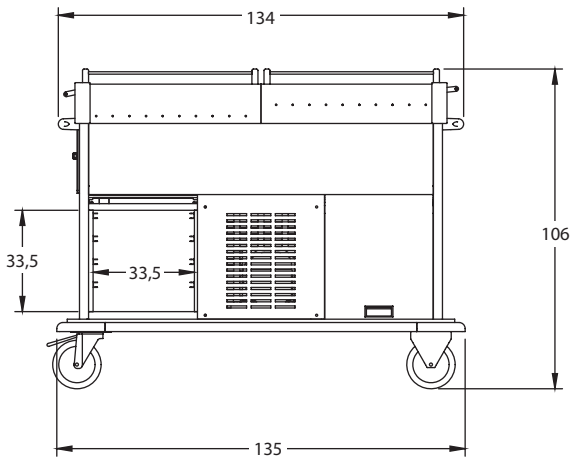
3x1/1 GN



2x1/1 GN



3x1/1 GN



ACCESSORIES AND OPTIONAL PARTS

Item

GN containers, lids and dividers for hot cupboards/Bain Marie trolleys
- see p. 162-163



Item

Description

T0030

GN eutectic plate (-10 °C) for lower compartments



Item

Description

T200

Power plug 2P+GND-6h/250V - 16A - IP67 (IEC 309)



214

Item

Description

For item

T0020

Glass sneeze guard

All Bain Marie trolleys 2x1/1 GN without lids

T0022

Glass sneeze guard

All Bain Marie trolleys 3x1/1 GN without lids

T0024

Glass sneeze guard

All Bain Marie trolleys 4x1/1 GN without lids



Item

Description

For item

T0002

Tray slide, short side

All Bain Marie trolleys

T0004

Tray slide, long side

All Bain Marie trolleys 2x1/1 GN without lids

T0006

Tray slide, long side

All Bain Marie trolleys 3x1/1 GN without lids

T0008

Tray slide, long side

All Bain Marie trolleys 4x1/1 GN without lids



| Item | Control panel with thermostats and IPX5 protection | For item |
|-------|--|------------------------|
| T0100 | 1 top well | 7360A0, 7365A0, 7368A0 |
| T0102 | 1 top well + 1 lower compartment | 7360A1 7365A1 7368A1 |
| T0104 | 1 top well + 2 lower compartments | 7360A2, 7365A2, 7368A2 |
| T0106 | 1 top well + 3 lower compartments | 7365A3, 7368A3 |
| T0108 | 1 top well + 4 lower compartments | 7368A4 |
| T0110 | 2 top wells | 7370A |
| T0112 | 2 top wells + 1 lower compartment | 7370A1 |
| T0114 | 2 top wells + 2 lower compartments | 7370A2 |
| T0116 | 3 top wells | 7375A |
| T0118 | 3 top wells + 1 lower compartment | 7375A1 |
| T0120 | 3 top wells + 2 lower compartments | 7375A2 |
| T0122 | 3 top wells + 3 lower compartments | 7375A3 |
| T0124 | 4 top wells | 7378A |
| T0126 | 4 top wells + 1 lower compartment | 7378A1 |
| T0128 | 4 top wells + 2 lower compartments | 7378A2 |
| T0130 | 4 top wells + 3 lower compartments | 7378A3 |
| T0132 | 4 top wells + 4 lower compartments | 7378A4 |

(*) The IPX5 control panel is supplied as standard in the Bain Marie trolleys featuring one or more lower refrigerated compartments.

- Control panel with IPX5 protection (*)
on/off switch
digital thermostatic control



| Item | Description | For item |
|------|-------------|----------|
|------|-------------|----------|

| | | |
|------|--------------------------------|--|
| X002 | Friction brake castors, ø 20cm | All Bain Marie trolleys except for models with sliding lids and with tow bar |
|------|--------------------------------|--|



| Item | Description | For item |
|------|-------------|----------|
|------|-------------|----------|

| | | |
|------|----------------------|---|
| Y002 | Tow bar with coupler | All Bain Marie trolleys except for models with friction brake castors |
|------|----------------------|---|



OPTIONS SELECTION TABLE

Key:

S = standard;

N = not available;

O = optional accessory to be requested when placing the order;

O* = optional accessory to be requested when placing the order; not compatible with other accessories

| Item | Permanent brake | Tow bar | Sneeze guard | Tray slide long side | Tray slide short side | Digital panel |
|----------|-----------------|---------|--------------|----------------------|-----------------------|---------------|
| 7360 | N | N | O | O | O | O |
| 7365 | N | N | O | O | O | O |
| 7368 | N | N | O | O | O | O |
| 7370 | N | N | O | O | O | O |
| 7375 | N | N | O | O | O | O |
| 7378 | N | N | O | O | O | O |
| 7360A | O* | O* | O | O | O | O |
| 7365A | O* | O* | O | O | O | O |
| 7368A | O* | O* | O | O | O | O |
| 7360A0 | O* | O* | O | O | O | O |
| 7360A1 | O* | O* | O | O | O | O |
| 7360A2 | O* | O* | O | O | O | O |
| 7365A0 | O* | O* | O | O | O | O |
| 7365A1 | O* | O* | O | O | O | O |
| 7365A2 | O* | O* | O | O | O | O |
| 7365A3 | O* | O* | O | O | O | O |
| 7368A0 | O* | O* | O | O | O | O |
| 7368A1 | O* | O* | O | O | O | O |
| 7368A2 | O* | O* | O | O | O | O |
| 7368A3 | O* | O* | O | O | O | O |
| 7368A4 | O* | O* | O | O | O | O |
| 7370A | O* | O* | O | O | O | O |
| 7375A | O* | O* | O | O | O | O |
| 7378A | O* | O* | O | O | O | O |
| 7370A0 | O* | O* | O | O | O | O |
| 7370A1 | O* | O* | O | O | O | O |
| 7370A2 | O* | O* | O | O | O | O |
| 7375A0 | O* | O* | O | O | O | O |
| 7375A1 | O* | O* | O | O | O | O |
| 7375A2 | O* | O* | O | O | O | O |
| 7375A3 | O* | O* | O | O | O | O |
| 7378A0 | O* | O* | O | O | O | O |
| 7378A1 | O* | O* | O | O | O | O |
| 7378A2 | O* | O* | O | O | O | O |
| 7378A3 | O* | O* | O | O | O | O |
| 7378A4 | O* | O* | O | O | O | O |
| 7360A0F1 | O* | O* | O | O | O | S |
| 7365A0F2 | O* | O* | O | O | O | S |
| 7365A1F1 | O* | O* | O | O | O | S |
| 7368A0F2 | O* | O* | O | O | O | S |
| 7368A1F2 | O* | O* | O | O | O | S |
| 7368A2F1 | O* | O* | O | O | O | S |

Key:

S = standard;

N = not available;

O = optional accessory to be requested when placing the order;

O* = optional accessory to be requested when placing the order; not compatible with other accessories

| Item | Permanent brake | Tow bar | Sneeze guard | Tray slide long side | Tray slide short side | Digital panel |
|-----------|-----------------|---------|--------------|----------------------|-----------------------|---------------|
| 7370A0F1 | O* | O* | O | O | O | S |
| 7375A0F2 | O* | O* | O | O | O | S |
| 7375A1F1 | O* | O* | O | O | O | S |
| 7378A0F2 | O* | O* | O | O | O | S |
| 7378A1F2 | O* | O* | O | O | O | S |
| 7378A2F1 | O* | O* | O | O | O | S |
| 7360A C2 | O* | O* | N | O | N | O |
| 7365A C3 | O* | O* | N | O | N | O |
| 7360A0 C2 | O* | O* | N | O | N | O |
| 7360A1 C2 | O* | O* | N | O | N | O |
| 7360A2 C2 | O* | O* | N | O | N | O |
| 7365A0 C3 | O* | O* | N | O | N | O |
| 7365A1 C3 | O* | O* | N | O | N | O |
| 7365A2 C3 | O* | O* | N | O | N | O |
| 7365A3 C3 | O* | O* | N | O | N | O |
| 7360A L2 | O* | O* | N | N | O | O |
| 7365A L3 | O* | O* | N | N | O | O |
| 7360A0 L2 | O* | O* | N | N | O | O |
| 7360A1 L2 | O* | O* | N | N | O | O |
| 7360A2 L2 | O* | O* | N | N | O | O |
| 7365A0 L3 | O* | O* | N | N | O | O |
| 7365A1 L3 | O* | O* | N | N | O | O |
| 7365A2 L3 | O* | O* | N | N | O | O |
| 7365A3 L3 | O* | O* | N | N | O | O |
| 7360A S2 | N | O | N | O | N | O |
| 7365A S3 | N | O | N | O | N | O |
| 7360A0 S2 | N | O | N | O | N | O |
| 7360A1 S2 | N | O | N | O | N | O |
| 7360A2 S2 | N | O | N | O | N | O |
| 7365A0 S3 | N | O | N | O | N | O |
| 7365A1 S3 | N | O | N | O | N | O |
| 7365A2 S3 | N | O | N | O | N | O |
| 7365A3 S3 | N | O | N | O | N | O |
| 7370A C2 | O* | O* | N | O | N | O |
| 7375A C3 | O* | O* | N | O | N | O |
| 7370A0 C2 | O* | O* | N | O | N | O |
| 7370A1 C2 | O* | O* | N | O | N | O |
| 7370A2 C2 | O* | O* | N | O | N | O |
| 7375A0 C3 | O* | O* | N | O | N | O |
| 7375A1 C3 | O* | O* | N | O | N | O |
| 7375A2 C3 | O* | O* | N | O | N | O |
| 7375A3 C3 | O* | O* | N | O | N | O |

OPTIONS SELECTION TABLE

Key:

S = standard;

N = not available;

O = optional accessory to be requested when placing the order;

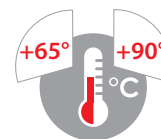
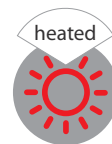
O* = optional accessory to be requested when placing the order; not compatible with other accessories

| Item | Permanent brake | Tow bar | Sneeze guard | Tray slide long side | Tray slide short side | Digital panel |
|-------------|-----------------|---------|--------------|----------------------|-----------------------|---------------|
| 7370A L2 | O* | O* | N | N | O | O |
| 7375A L3 | O* | O* | N | N | O | O |
| 7370A0 L2 | O* | O* | N | N | O | O |
| 7370A1 L2 | O* | O* | N | N | O | O |
| 7370A2 L2 | O* | O* | N | N | O | O |
| 7375A0 L3 | O* | O* | N | N | O | O |
| 7375A1 L3 | O* | O* | N | N | O | O |
| 7375A2 L3 | O* | O* | N | N | O | O |
| 7375A3 L3 | O* | O* | N | N | O | O |
| 7370A S2 | N | O | N | O | N | O |
| 7375A S3 | N | O | N | O | N | O |
| 7370A0 S2 | N | O | N | O | N | O |
| 7370A1 S2 | N | O | N | O | N | O |
| 7370A2 S2 | N | O | N | O | N | O |
| 7375A0 S3 | N | O | N | O | N | O |
| 7375A1 S3 | N | O | N | O | N | O |
| 7375A2 S3 | N | O | N | O | N | O |
| 7375A3 S3 | N | O | N | O | N | O |
| 7360A0F1 C2 | O* | O* | N | O | N | S |
| 7365A0F2 C3 | O* | O* | N | O | N | S |
| 7365A1F1 C3 | O* | O* | N | O | N | S |
| 7360A0F1 L2 | O* | O* | N | N | O | S |
| 7365A0F2 L3 | O* | O* | N | N | O | S |
| 7365A1F1 L3 | O* | O* | N | N | O | S |
| 7360A0F1 S2 | N | O | N | O | N | S |
| 7365A0F2 S3 | N | O | N | O | N | S |
| 7365A1F1 S3 | N | O | N | O | N | S |
| 7370A0F1 C2 | O* | O* | N | O | N | S |
| 7375A0F2 C3 | O* | O* | N | O | N | S |
| 7375A1F1 C3 | O* | O* | N | O | N | S |
| 7370A0F1 L2 | O* | O* | N | N | O | S |
| 7375A0F2 L3 | O* | O* | N | N | O | S |
| 7375A1F1 L3 | O* | O* | N | N | O | S |
| 7370A0F1 S2 | N | O | N | O | N | S |
| 7375A0F2 S3 | N | O | N | O | N | S |
| 7375A1F1 S3 | N | O | N | O | N | S |



DRINKS DISPENSERS

- Double skinned, AISI 304 stainless steel sheet construction, brushed finish
- Removable top cover with handles
- It contains 15L beverage containers, all with covers
- Drip tray with grille in stainless steel sheet
- Bain Marie drain tap
- Bain Marie wet heat
- ON/OFF switch with LED
- Thermostatic control from + 30 °C to + 90 °C
- Power cable
- Mains supply: 230V, 50/60 Hz, single-phase



Item 1178



Item 1178 + 1178V

220

| Item | Capacity | Power | Max dim. (cm) |
|------|--------------------|-------|---------------|
| 1176 | 3 x 15L containers | 2000W | 105x52x74 |
| 1178 | 4 x 15L containers | 2000W | 135x52x74 |

- AISI 304 stainless steel construction, brushed finish
- Special fittings to fix the beverage dispenser (on request)
- Hinged doors with lock
- Middle shelf adjustable in height
- Push handles
- Two fixed and two swivel castors, ø 16cm

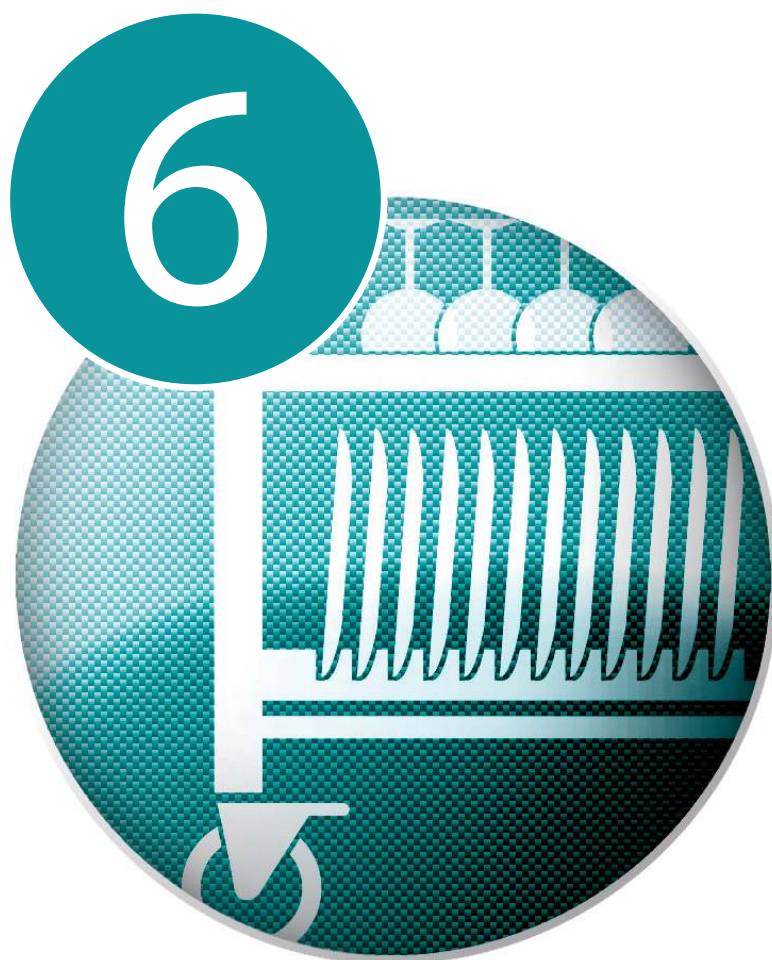


Item 1178V + S1270

| Item | For item | Max dim. (cm) |
|-------|----------|---------------|
| 1176V | 1176 | 116x69x87 |
| 1178V | 1178 | 146x69x87 |

| Options | | Description | For item |
|---------|---|---|----------|
| S1270 | 1 | Set with 2 braked castors | All |
| SE270 | 2 | Set with 4 resilient castors (2 with brake) | All |

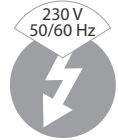
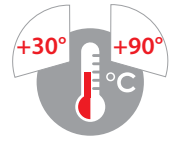
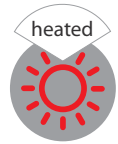




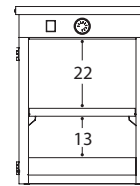
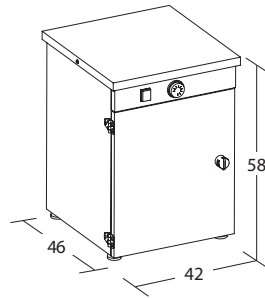
TABLEWARE
HANDLING TROLLEYS

PLATE WARMER CABINETS

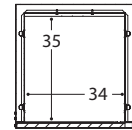
- Double skinned, stainless steel sheet construction insulated with expanded polyurethane panels
- Insulated double skinned front doors opening to 180°, with mechanical key lock
- Internal grilled shelves adjustable in height
- ON/OFF switch with warning light
- Thermostatic control from + 30 °C to +90 °C
- Mains supply: 230V, 50/60 Hz, single-phase
- Adjustable feet for item 9630
- Swivel castors, ø 8cm, for items 9660, 96100, 96120



Item 9630



Adjustable shelf

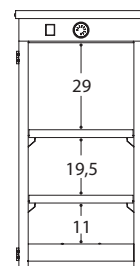
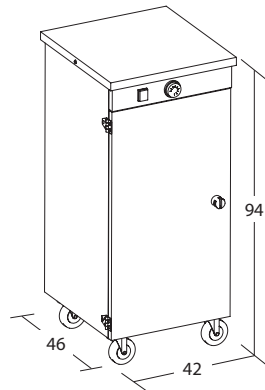


Internal capacity

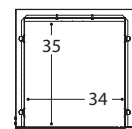
224



Item 9660



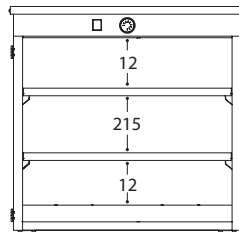
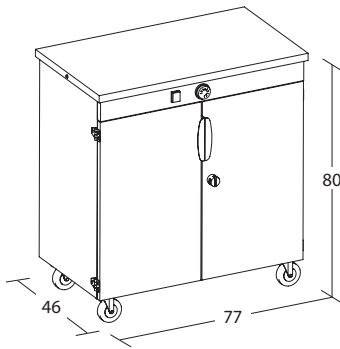
Adjustable shelves



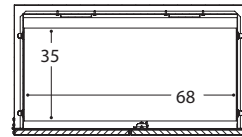
Internal capacity



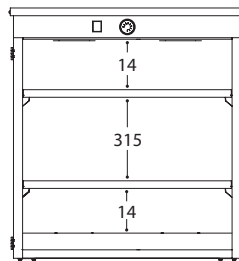
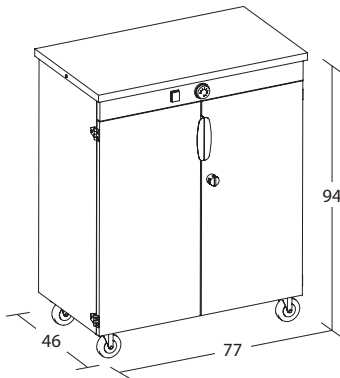
Item 96120 + S1100



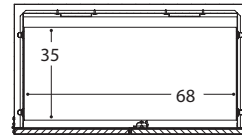
Adjustable shelves



Internal capacity



Adjustable shelves



Internal capacity

| Item | Load. cap. | Max plate ø (cm) | Doors | Shelves | Power | Max dim. (cm) |
|-------|------------|------------------|-------|---------|-------|---------------|
| 9630 | 30 | 32 | 1 | 1 | 400W | 42x46x58 |
| 9660 | 60 | 32 | 1 | 2 | 800W | 42x46x94 |
| 96100 | 100 | 32 | 2 | 2 | 800W | 77x46x80 |
| 96120 | 120 | 32 | 2 | 2 | 800W | 77x46x94 |

| Options | Description | For item |
|---------|-----------------------------|----------------------|
| S1100 | 1 Set with 2 braked castors | 9660 - 96100 - 96120 |

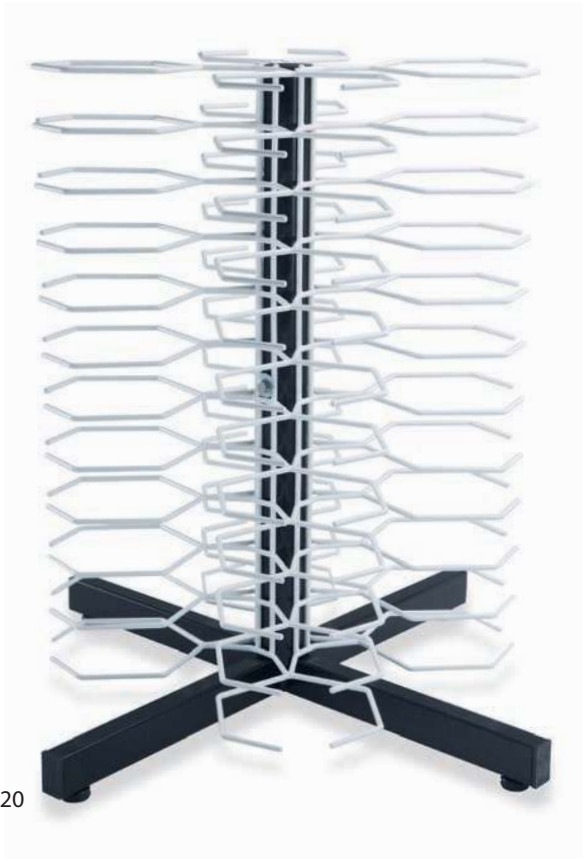


COUNTERTOP PLATE STACKERS

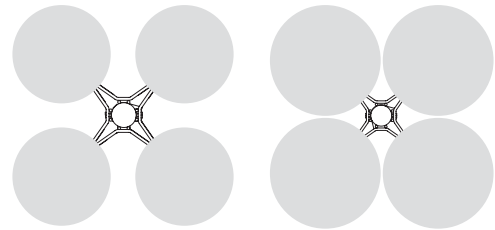
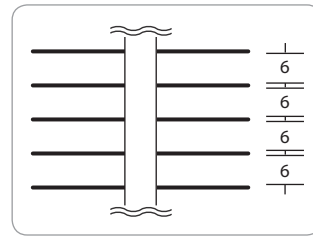
- Black painted steel construction
- White Rilsan plastic coated steel supports
- Adjustable feet

226

Item 3020



48 plates



| Item | Capacity | Plate ø (cm) | Max dim. (cm) |
|------|-----------|--------------|---------------|
| 3020 | 48 plates | 18÷24 | 77x77x95 |
| 3021 | 48 plates | 24÷31 | 77x77x95 |

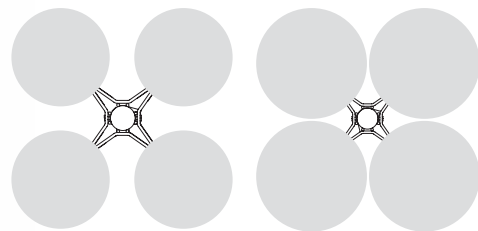
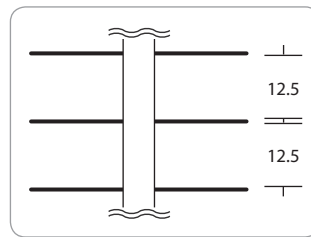
| Accessories | Description | For item |
|-------------|-------------------------|----------|
| A0252 | 1 PVC cover with zipper | All |





Item 3019

24 plates



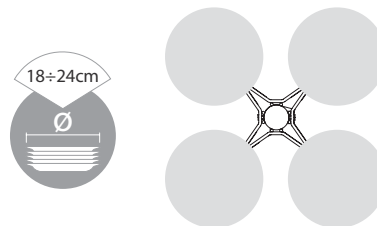
| Item | Capacity | Plate ø (cm) | Max dim. (cm) |
|------|-----------|--------------|---------------|
| 3018 | 24 plates | 18÷24 | 77x77x95 |
| 3019 | 24 plates | 24÷31 | 77x77x95 |

| Accessories | Description | For item |
|-------------|-------------------------|----------|
| A0252 | 1 PVC cover with zipper | All |



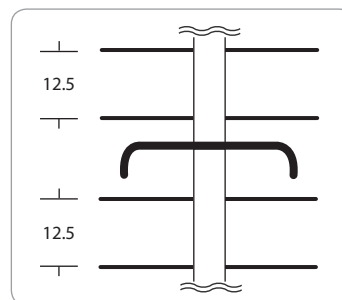
WHEELED PLATE STACKERS

- Black painted steel construction
- White Rilsan plastic coated steel support
- Push handle
- Swivel castors, \varnothing 12.5cm, 2 with brake

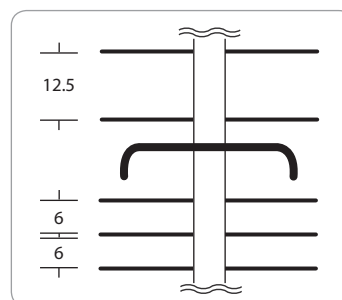


Item 3008

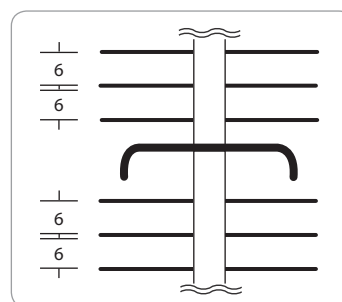
48 plates - Item 3008



72 plates - Item 3009



96 plates - Item 3010



228

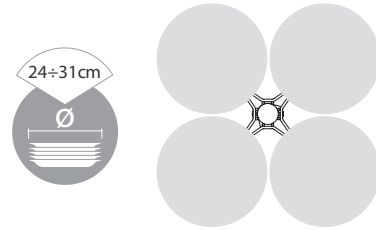
| Item | Capacity | Plate \varnothing (cm) | Max dim. (cm) |
|------|-----------|--------------------------|---------------|
| 3008 | 48 plates | 18÷24 | 77x77x180 |
| 3009 | 72 plates | 18÷24 | 77x77x180 |
| 3010 | 96 plates | 18÷24 | 77x77x180 |

| Accessories | Description | For item |
|-------------|-------------------------|----------|
| A0250 | 1 PVC cover with zipper | All |

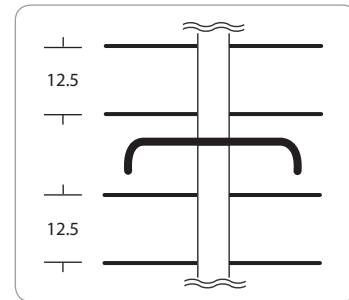




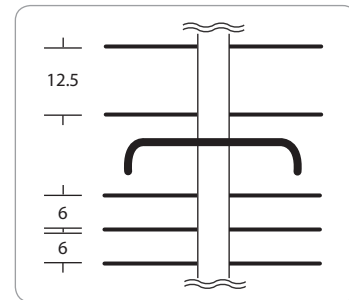
Item 3011



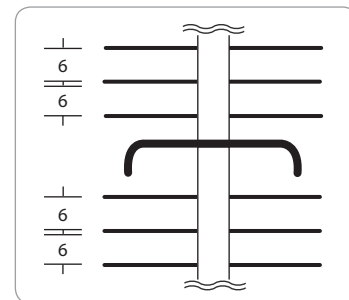
48 plates - Item 3013



72 plates - Item 3012



96 plates - Item 3011



| Item | Capacity | Plate ø (cm) | Max dim. (cm) |
|------|-----------|--------------|---------------|
| 3013 | 48 plates | 24÷31 | 77x77x180 |
| 3012 | 72 plates | 24÷31 | 77x77x180 |
| 3011 | 96 plates | 24÷31 | 77x77x180 |

Accessories  Description For item

A0250 1 PVC cover with zipper All

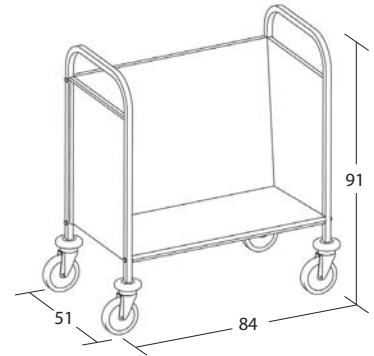


PLATE TROLLEYS

- Stainless steel 2x2cm square tube frame
- AISI 304 stainless steel side panels
- Inclined plate support to prevent sliding
- Lower stainless steel shelf depending on model
- Grey rubber ring buffers
- Swivel castors, \varnothing 12.5cm



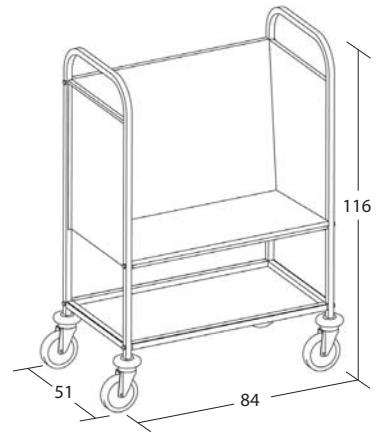
Item 1270 + S1200



230



Item 1272



| Item | Max dim. (cm) |
|------|---------------|
| 1270 | 84x51x91 |
| 1272 | 84x51x116 |

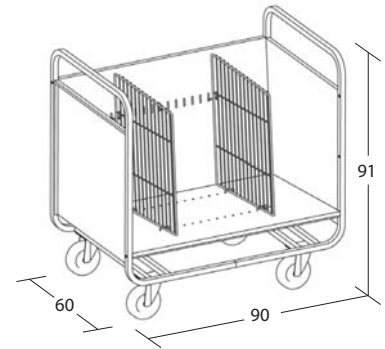
| Options | Description | For item |
|---------|-----------------------------|-------------|
| S1200 | 1 Set with 2 braked castors | 1270 - 1272 |



| Accessories | Description | For item |
|-------------|-----------------------|----------|
| A0254 | PVC cover with zipper | 1270 |
| A0255 | PVC cover with zipper | 1272 |

- Stainless steel 2x2cm square tube frame
- AISI 304 stainless steel side panels
- Inclined plate support to prevent sliding
- Dividers available on request
- Stainless steel wire dividers (optional)
- Swivel castors, ø 12.5cm, 2 with brake

Note: dividers sold separately



Item 1270P + A0056(x2)



| Item | Max dim. (cm) |
|-------|---------------|
| 1270P | 90x60x91 |

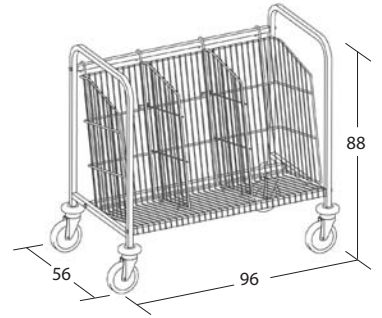
| Accessories | Description | For item |
|-------------|--|----------|
| A0056 | Removable stainless steel wire divider | 1270P |
| A0260 | PVC cover with zipper | 1270P |

PLATE TROLLEYS

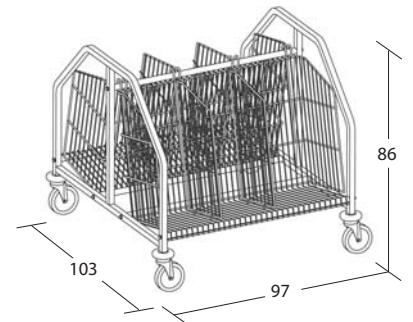
- Stainless steel 2x2cm square tube frame for item 1274, or 2.5x2.5 square tube frame for item 1276
- White Rilsan plastic coated steel wire racks with removable dividers
- Grey rubber ring buffers
- Swivel castors, \varnothing 12.5cm



Item 1274



Item 1276



232

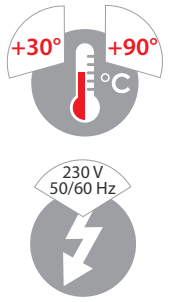
| Item | Max dim. (cm) |
|------|---------------|
| 1274 | 96x56x88 |
| 1276 | 97x103x86 |

| Options | Description | For item |
|---------|-----------------------------|----------|
| S1200 | 1 Set with 2 braked castors | 1274 |
| S1220 | 1 Set with 2 braked castors | 1276 |



| Accessories | Description | For item |
|-------------|-----------------------|----------|
| A0274 | PVC cover with zipper | 1274 |
| A0276 | PVC cover with zipper | 1276 |

- AISI 304 stainless steel sheet construction, brushed finish
- Heat-proof push handle
- 2 cylinders with load adjustment by springs, complete with covers and suitable for housing plates of various diameters, depending on model
- The heated version features a double skinned construction insulated with expanded polyurethane panels
- Control panel with adjustable thermostat from +30 °C to +90 °C
- ON/OFF switch with warning light
- 3m long coiled power cable
- Mains supply: 230V, 50/60 Hz, single-phase
- Grey rubber buffers
- Swivel castors, ø 12.5cm, 2 with brake



Item 9708

☉ = ambient ☀ = heated

| Item | | Description | Load. cap. | Plate ø | Power | Max dim. (cm) |
|------|---|-------------------------------|------------|---------|-------|---------------|
| 9702 | ☉ | 2 adjustable plate lowerators | about 130 | 19÷26 | - | 110x56x90 |
| 9704 | ☉ | 2 adjustable plate lowerators | about 130 | 27÷33 | - | 110x56x90 |
| 9706 | ☀ | 2 adjustable plate lowerators | about 130 | 19÷26 | 1000W | 110x56x90 |
| 9708 | ☀ | 2 adjustable plate lowerators | about 130 | 27÷33 | 1000W | 110x56x90 |
| 9712 | ☉ | 2 plate lowerators | about 130 | 26 | - | 110x56x90 |
| 9714 | ☉ | 2 plate lowerators | about 130 | 31 | - | 110x56x90 |
| 9716 | ☀ | 2 plate lowerators | about 130 | 26 | 1000W | 110x56x90 |
| 9718 | ☀ | 2 plate lowerators | about 130 | 31 | 1000W | 110x56x90 |

CROCKERY AND GLASSWARE DRAINING TROLLEYS

- Stainless steel 2x2cm square tube frame, or 2.5x2.5cm square tube frame for items 5034, 5036 and 5038
- Stainless steel sheet crockery racks with no sharp edges
- Thermoformed ABS glass rack with drip tray and watertight plug
- Swivel castors, ø 12.5cm



Item 5020 + S1200

| Item | Load. cap. | Plate ø | Crockery racks | Glass racks | Max dim. (cm) |
|------|------------|---------|----------------|-------------|---------------|
| 5002 | 180 | 16÷26 | 3 | - | 87x62x121 |
| 5004 | 120 | 16÷26 | 2 | 1 | 87x62x121 |
| 5006 | 60 | 16÷26 | 1 | 2 | 87x62x121 |
| 5020 | 216 | 16÷26 | 3 | - | 102x62x121 |
| 5022 | 144 | 16÷26 | 2 | 1 | 102x62x121 |
| 5024 | 72 | 16÷26 | 1 | 2 | 102x62x121 |
| 5034 | 216 | 16÷32 | 3 | - | 102x69x134 |
| 5036 | 144 | 16÷32 | 2 | 1 | 102x69x134 |
| 5038 | 72 | 16÷32 | 1 | 2 | 102x69x134 |



Item 5022 + S1200



Item 5024 + S1200

| Options | | Description | For item |
|---------|---|---------------------------|--|
| S1200 | 1 | Set with 2 braked castors | 5002 - 5004 - 5006 5020 - 5022 - 5024 |
| S1220 | 1 | Set with 2 braked castors | 5034 - 5036 - 5038 |



| Accessories | | Description | For item |
|-------------|---|-----------------------|--------------------|
| A0282 | 2 | PVC cover with zipper | 5002 - 5004 - 5006 |
| A0284 | 2 | PVC cover with zipper | 5020 - 5022 - 5024 |
| A0289 | 2 | PVC cover with zipper | 5034 - 5036 - 5038 |



CROCKERY AND GLASSWARE DRAINING TROLLEYS

- Stainless steel 2x2cm square tube frame
- Stainless steel sheet crockery racks with no sharp edges
- Thermoformed ABS glass rack with drip tray and watertight plug
- Swivel castors, ø 12.5cm



Item 5026 + S1200



Item 5028 + S1200

236

| Item | Load. cap. | Plate ø | Crockery racks | Glass racks | Max dim. (cm) |
|------|------------|---------|----------------|-------------|---------------|
| 5012 | 240 | 16÷26 | 4 | - | 87x62x159 |
| 5014 | 180 | 16÷26 | 3 | 1 | 87x62x159 |
| 5016 | 120 | 16÷26 | 2 | 2 | 87x62x159 |
| 5018 | 60 | 16÷26 | 1 | 3 | 87x62x159 |
| 5026 | 288 | 16÷26 | 4 | - | 102x62x159 |
| 5028 | 216 | 16÷26 | 3 | 1 | 102x62x159 |
| 5030 | 144 | 16÷26 | 2 | 2 | 102x62x159 |
| 5032 | 72 | 16÷26 | 1 | 3 | 102x62x159 |



Item 5030 + S1200



Item 5032 + S1200

| Options | | Description | For item |
|---------|---|---------------------------|----------|
| S1200 | 1 | Set with 2 braked castors | All |

| Accessories | | Description | For item |
|-------------|---|-----------------------|----------------------------|
| A0286 | 2 | PVC cover with zipper | 5012 - 5014 5016 - 5018 |
| A0288 | 2 | PVC cover with zipper | 5026 - 5028 5030 - 5032 |

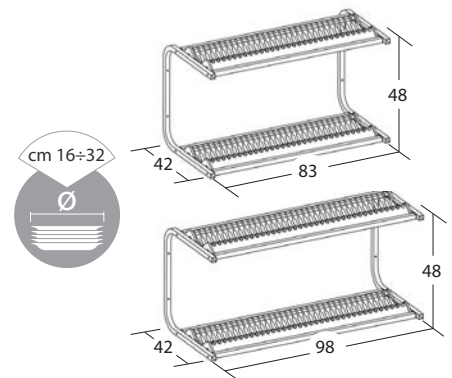


WALL- MOUNTED DRAINERS

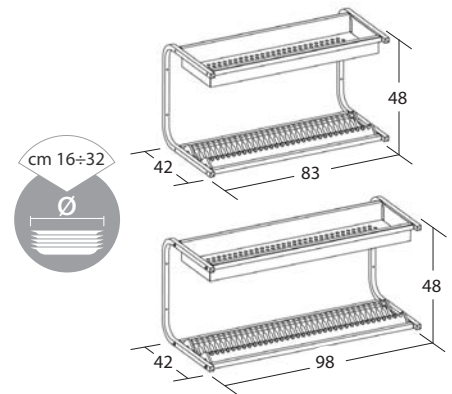
- Stainless steel 2x2cm square tube frame
- Stainless steel sheet crockery racks with no sharp edges
- Stainless steel sheet glass racks with drip tray



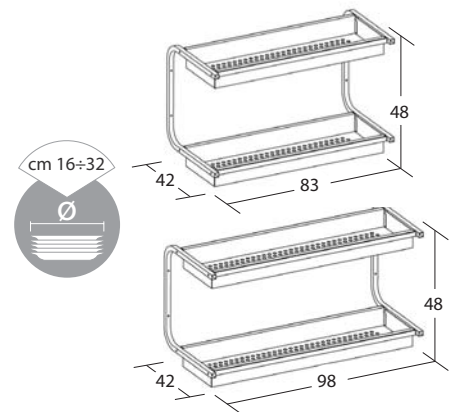
Item 5062



Item 5064



Item 5066



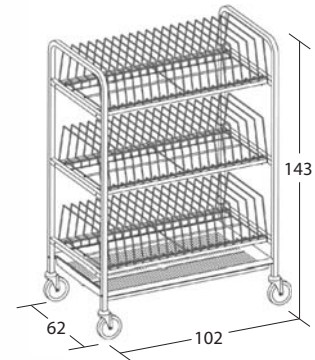
238

| Item | Load. cap. | Plate ø | Plate racks | Glass racks | Max dim. (cm) |
|------|------------|---------|-------------|-------------|---------------|
| 5052 | 60 | 16÷32 | 2 | - | 83x42x48 |
| 5054 | 30 | 16÷32 | 1 | 1 | 83x42x48 |
| 5056 | - | 16÷32 | - | 2 | 83x42x48 |
| 5062 | 72 | 16÷32 | 2 | - | 98x42x48 |
| 5064 | 36 | 16÷32 | 1 | 1 | 98x42x48 |
| 5066 | - | 16÷32 | - | 2 | 98x42x48 |

- Stainless steel 2.5x2.5cm square tube frame
- Stainless steel wire dividers
- Thermoformed ABS drip tray with watertight plug
- Swivel castors, ø 12.5cm



Item 2264



| Item | Tray/lid loading capacity | Max dim. (cm) |
|------|---------------------------|---------------|
| 2264 | 60 | 102x62x143 |

| Options | Description | For item |
|---------|-----------------------------|----------|
| S1220 | 1 Set with 2 braked castors | 2264 |



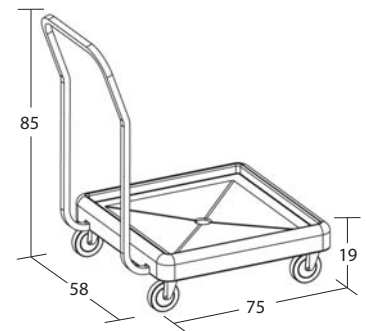
| Accessories | Description | For item |
|-------------|-----------------------|----------|
| A0270 | PVC cover with zipper | 2264 |

DISHWASHER RACK TROLLEYS

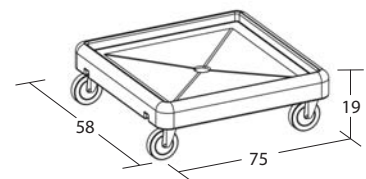
- Linear polyethylene support with drain hole and plug
- Stainless steel handle for item 2205P
- Swivel castors, \varnothing 9.5cm



Item 2205P



Item 2206P



240

| Item | Description | Max dim. (cm) |
|-------|------------------|---------------|
| 2205P | Base with handle | 75x58x85 |
| 2206P | Base only | 75x58x19 |

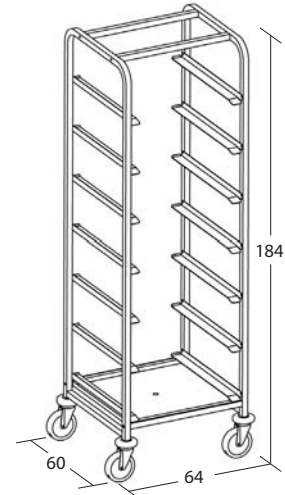
| Options | Description | For item |
|---------|-----------------------------|----------|
| S1120 | 1 Set with 2 braked castors | All |



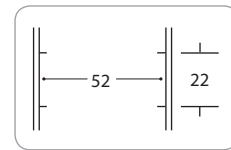
- Stainless steel 2.5x2.5cm square tube frame with bolted cross-members
- Stainless steel L-shaped runners
- Suitable for dishwasher glass rack (dim. 51x51cm)
- Grey rubber ring buffers
- Swivel castors, ø 12.5cm



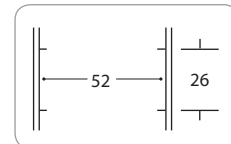
Item 1499-6



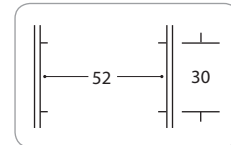
7 guide



6 guide



5 guide



| Item | Runners | Space between shelves (cm) | Max dim. (cm) |
|--------|---------|----------------------------|---------------|
| 1499-5 | 5 | 30 | 64x60x184 |
| 1499-6 | 6 | 26 | 64x60x184 |
| 1499-7 | 7 | 22 | 64x60x184 |

| Options | Description | For item |
|---------|-----------------------------|----------|
| S1220 | 1 Set with 2 braked castors | All |

| Accessories | Description | For item |
|-------------|-----------------------|----------|
| A0278 | PVC cover with zipper | All |

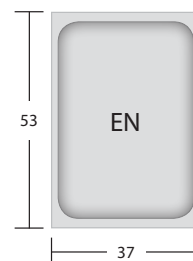
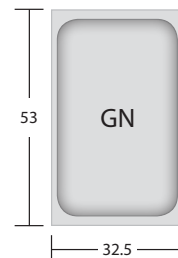
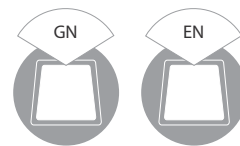




TRAY/PAN
RACKING TROLLEYS














GN - EN TRAY TROLLEYS


- Stainless steel 2x2cm square tube construction with bolted cross-members
- Stainless steel L-shaped runners
- Suitable for GN or EN trays, depending on model
- Grey rubber ring buffers
- Swivel castors, ø 12.5cm



Item 1475GN + A0019 x 2

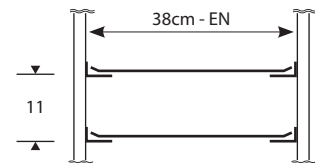
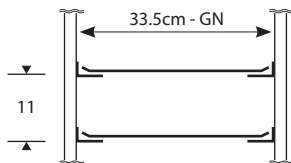
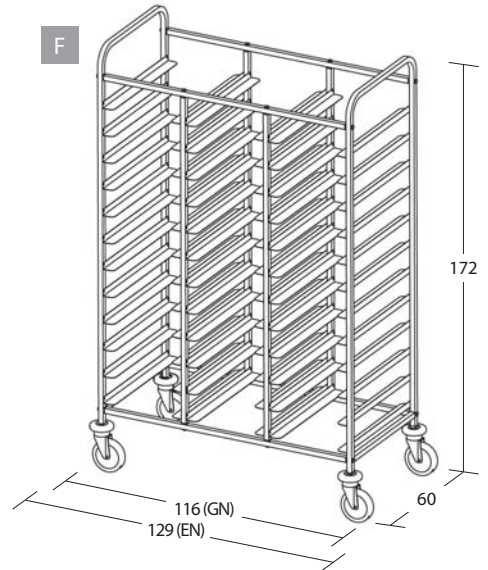
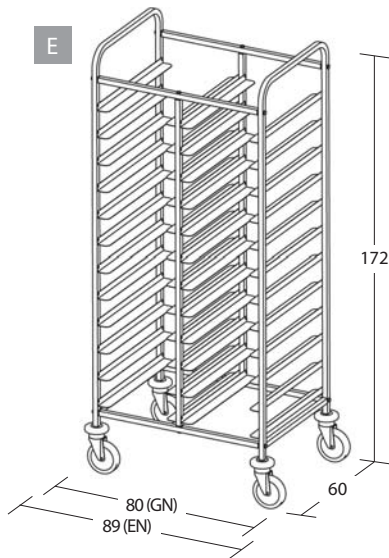
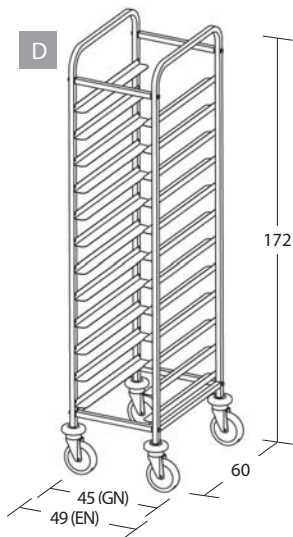
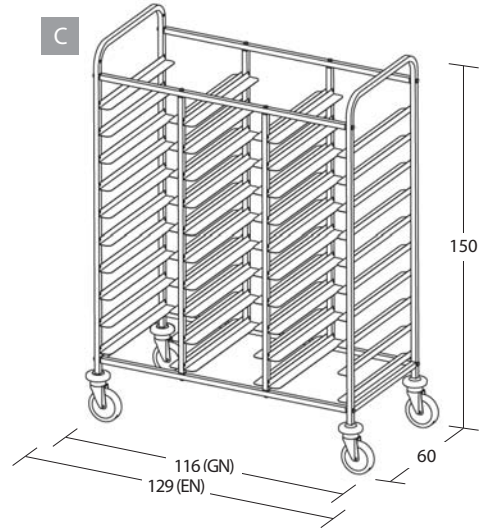
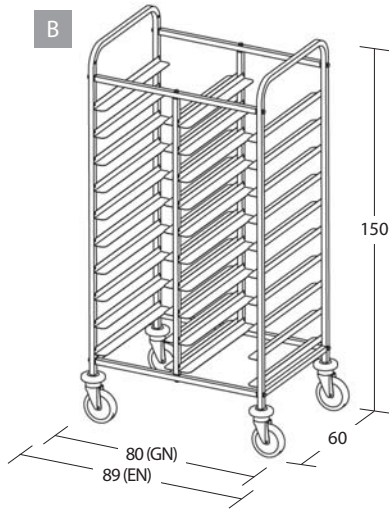
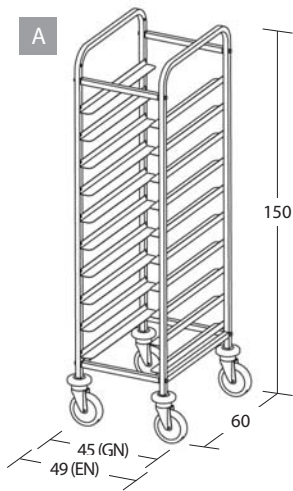
244

| Item | Loading capacity | Runners | Shelf spacing (cm) |  | Max dim. (cm) |
|--------|------------------|---|--------------------|---|---------------|
| 1470GN | 10 GN |  | 11 | A | 45x60x150 |
| 1472GN | 12 GN |  | 11 | D | 45x60x172 |
| 1475GN | 20 GN |  | 11 | B | 80x60x150 |
| 1477GN | 24 GN |  | 11 | E | 80x60x172 |
| 1480GN | 30 GN |  | 11 | C | 116x60x150 |
| 1482GN | 36 GN |  | 11 | F | 116x60x172 |
| 1470EN | 10 EN |  | 11 | A | 49x60x150 |
| 1472EN | 12 EN |  | 11 | D | 49x60x172 |
| 1475EN | 20 EN |  | 11 | B | 89x60x150 |
| 1477EN | 24 EN |  | 11 | E | 89x60x172 |
| 1480EN | 30 EN |  | 11 | C | 129x60x150 |
| 1482EN | 36 EN |  | 11 | F | 129x60x172 |

| Options |  | Description | For item |
|---------|---|---|----------|
| S1200 | 1 | Set with 2 braked castors | All |
| SE200 | 2 | Set with 4 resilient castors (2 with brake) | All |



Max overall dimensions



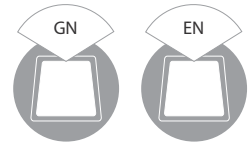
| Accessories | Description | For item |
|-------------|---|----------|
| A0019 | 1 Removable ABS container - GN size | All GN |
| A050GN | 2 Removable stainless steel container - GN size | All GN |
| A050EN | 2 Removable stainless steel container - EN size | All EN |



NOTE: each column corresponds to one removable container

GN - EN TRAY TROLLEYS - MELAMINE-FACED PANELS ON 2 SIDES

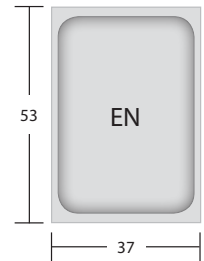
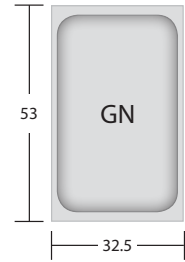
- Stainless steel 2x2cm square tube construction with bolted cross-members
- Stainless steel L-shaped runners
- Suitable for GN or EN trays, depending on model
- Two melamine-faced side panels
- Grey rubber ring buffers
- Swivel castors, ø 12.5cm
















Cherry wood




Item 1475GN-PN



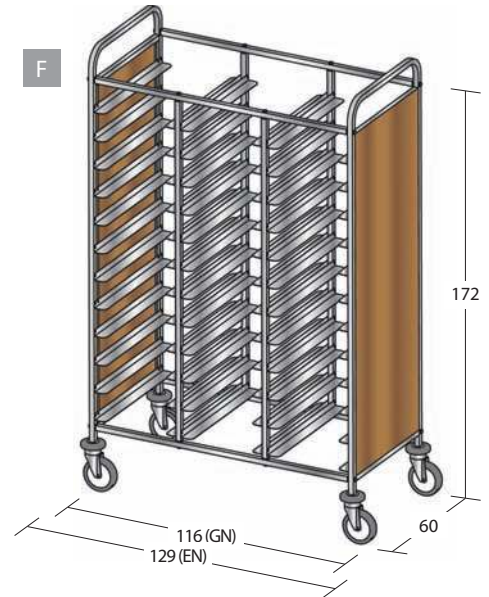
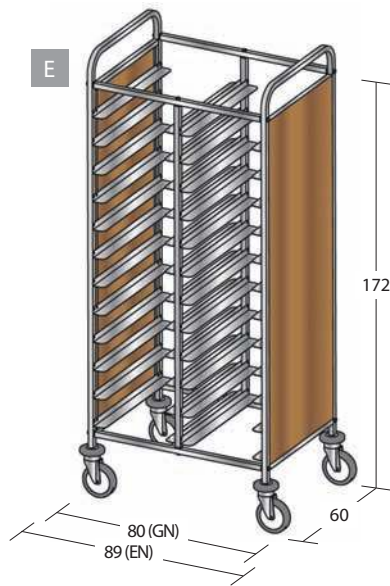
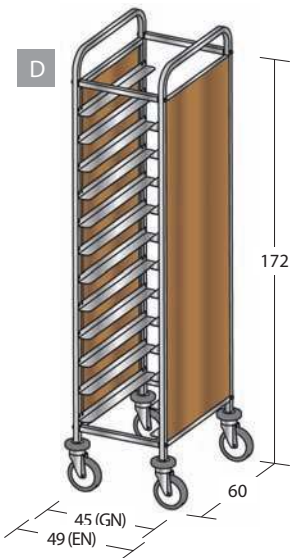
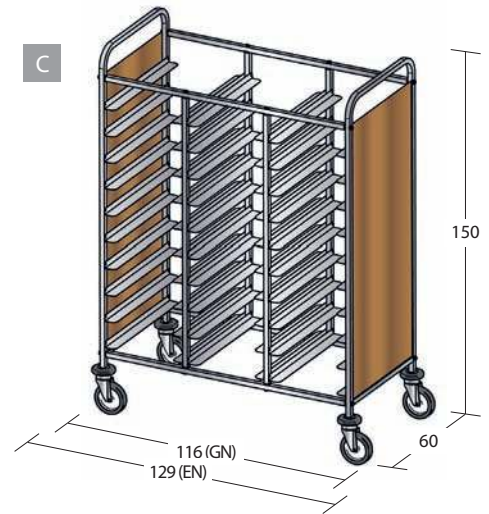
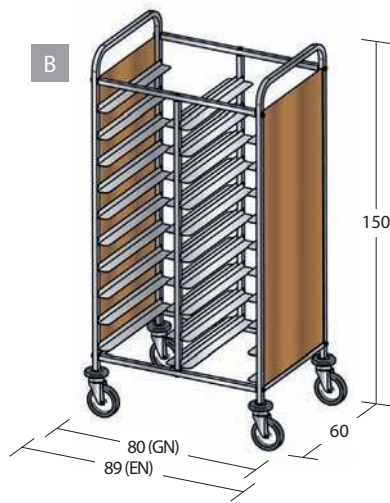
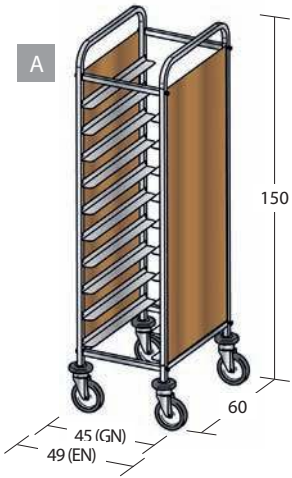
246

| Item | Loading capacity | Runners | Shelf spacing (cm) |  | Max dim. (cm) |
|-----------|------------------|---|--------------------|---|---------------|
| 1470GN-PN | 10 GN |  | 11 | A | 45x60x150 |
| 1472GN-PN | 12 GN |  | 11 | D | 45x60x172 |
| 1475GN-PN | 20 GN |  | 11 | B | 80x60x150 |
| 1477GN-PN | 24 GN |  | 11 | E | 80x60x172 |
| 1480GN-PN | 30 GN |  | 11 | C | 116x60x150 |
| 1482GN-PN | 36 GN |  | 11 | F | 116x60x172 |
| 1470EN-PN | 10 EN |  | 11 | A | 49x60x150 |
| 1472EN-PN | 12 EN |  | 11 | D | 49x60x172 |
| 1475EN-PN | 20 EN |  | 11 | B | 89x60x150 |
| 1477EN-PN | 24 EN |  | 11 | E | 89x60x172 |
| 1480EN-PN | 30 EN |  | 11 | C | 129x60x150 |
| 1482EN-PN | 36 EN |  | 11 | F | 129x60x172 |

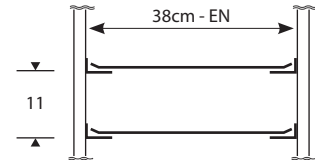
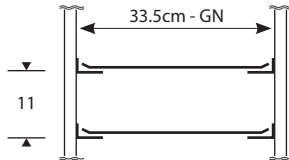
| Options |  | Description | For item |
|---------|---|---|----------|
| S1200 | 1 | Set with 2 braked castors | All |
| SE200 | 2 | Set with 4 resilient castors (2 with brake) | All |



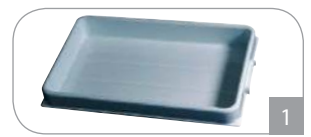
Max overall dimensions



247



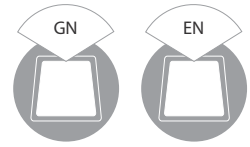
| Accessories | Description | For item |
|-------------|---|----------|
| A0019 | 1 Removable ABS container - GN size | All GN |
| A050GN | 2 Removable stainless steel container - GN size | All GN |
| A050EN | 2 Removable stainless steel container - EN size | All EN |



NOTE: each column corresponds to one removable container

GN - EN TRAY TROLLEYS - MELAMINE-FACED PANELS ON 3 SIDES

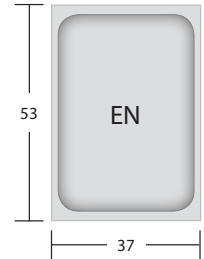
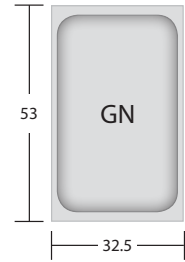
- Stainless steel 2x2cm square tube construction with bolted cross-members
- Stainless steel L-shaped runners
- Suitable for GN or EN trays, depending on model
- Melamine-faced panels on three sides, top shelf with rails
- Grey rubber ring buffers
- Swivel castors, ø 12.5cm



Cherry wood



Item 1476SGN + S1200



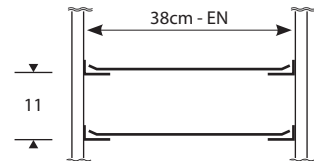
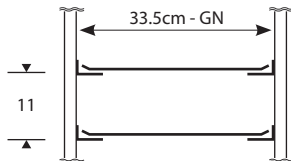
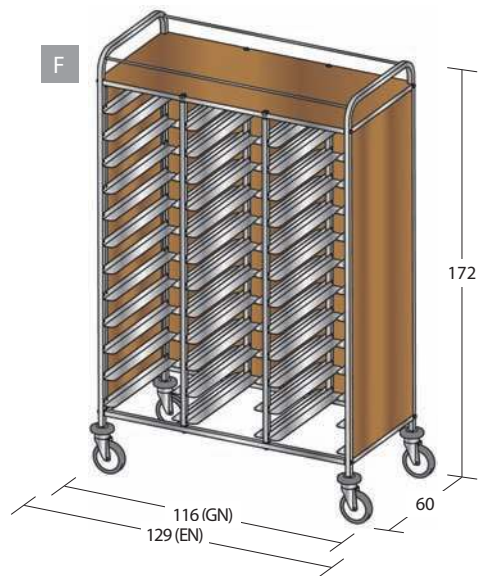
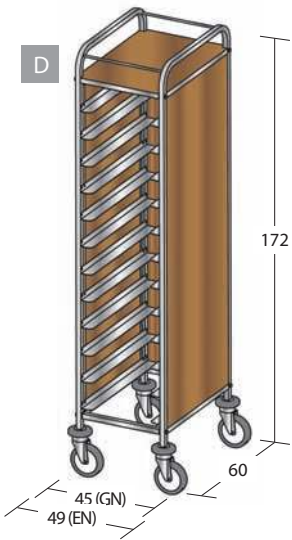
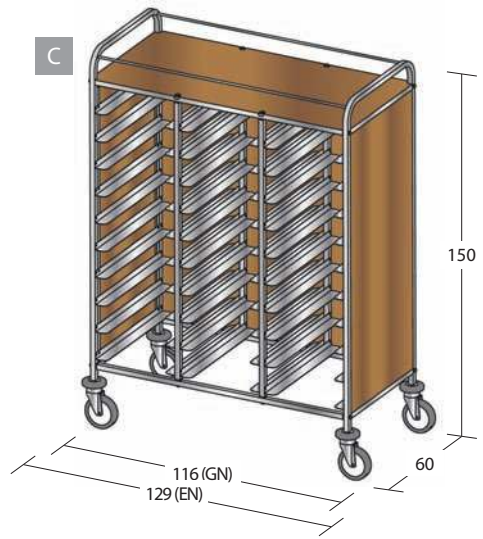
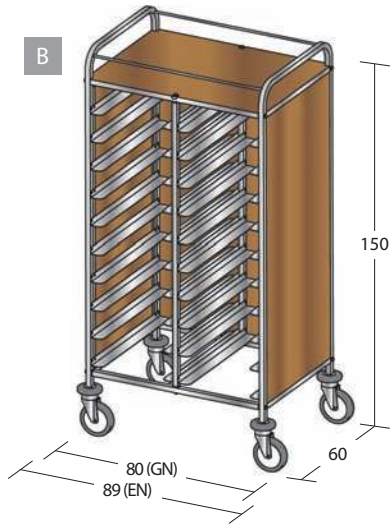
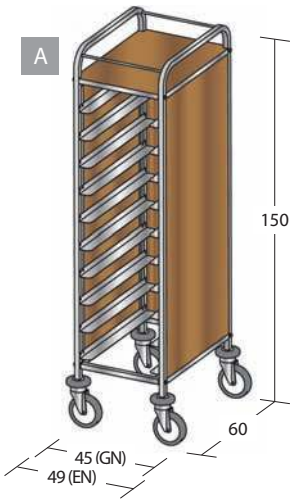
248

| Item | Loading capacity | Runners | Shelf spacing (cm) | | Max dim. (cm) |
|---------|------------------|---------|--------------------|---|---------------|
| 1471SGN | 10 GN | | 11 | A | 45x60x150 |
| 1474SGN | 12 GN | | 11 | D | 45x60x172 |
| 1476SGN | 20 GN | | 11 | B | 80x60x150 |
| 1478SGN | 24 GN | | 11 | E | 80x60x172 |
| 1481SGN | 30 GN | | 11 | C | 116x60x150 |
| 1483SGN | 36 GN | | 11 | F | 116x60x172 |
| 1471SEN | 10 EN | | 11 | A | 49x60x150 |
| 1474SEN | 12 EN | | 11 | D | 49x60x172 |
| 1476SEN | 20 EN | | 11 | B | 89x60x150 |
| 1478SEN | 24 EN | | 11 | E | 89x60x172 |
| 1481SEN | 30 EN | | 11 | C | 129x60x150 |
| 1483SEN | 36 EN | | 11 | F | 129x60x172 |

| Options | | Description | For item |
|---------|---|---|----------|
| S1200 | 1 | Set with 2 braked castors | All |
| SE200 | 2 | Set with 4 resilient castors (2 with brake) | All |

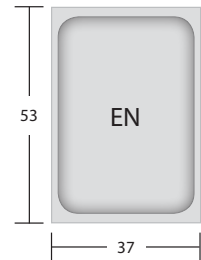
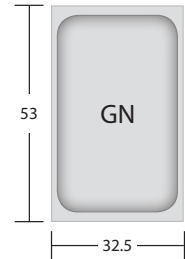
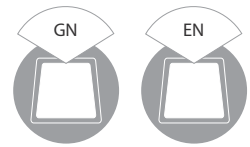


Max overall dimensions
















GN - EN TRAY TROLLEYS - STAINLESS STEEL PANELS ON 2 SIDES


- Stainless steel 2x2cm square tube construction with bolted cross-members
- Stainless steel L-shaped runners
- Suitable for GN or EN trays, depending on model
- Two AISI 304 stainless steel side panels
- Grey rubber ring buffers
- Swivel castors, ø 12.5cm



Item 1470GN-PI

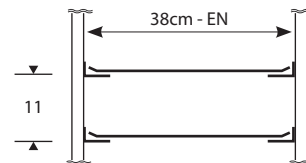
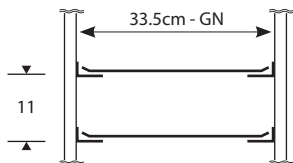
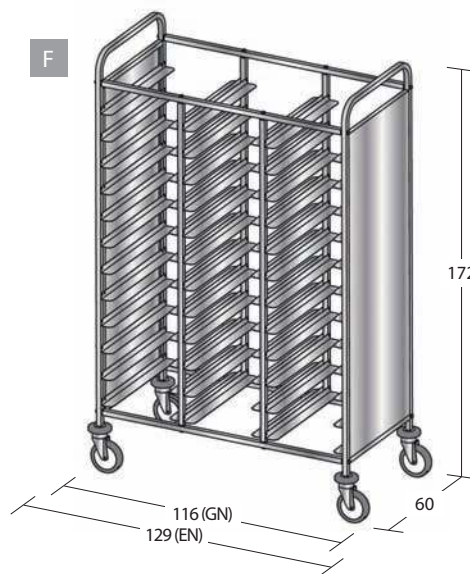
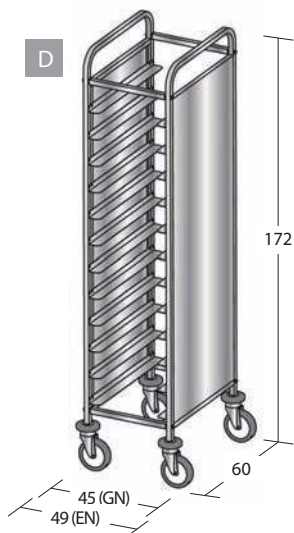
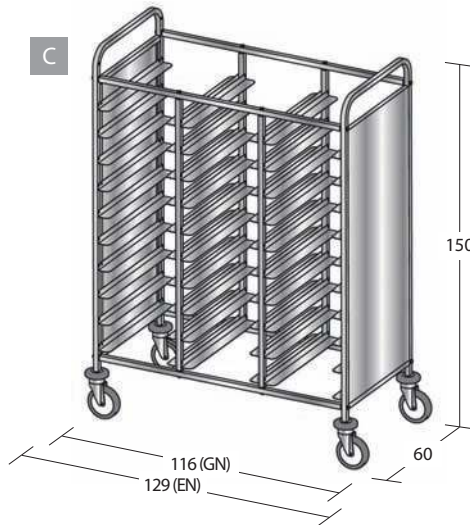
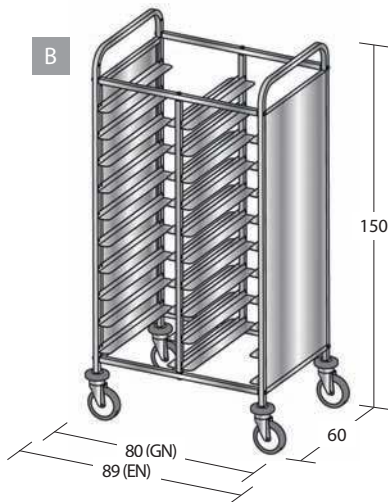
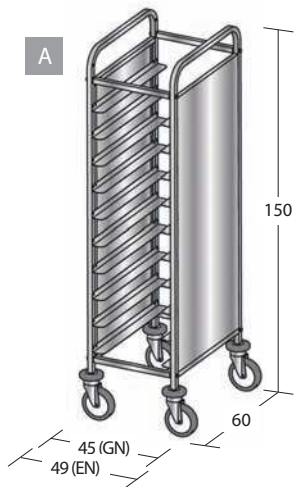
250

| Item | Loading capacity | Runners | Shelf spacing (cm) |  | Max dim. (cm) |
|-----------|------------------|---|--------------------|---|---------------|
| 1470GN-PI | 10 GN |  | 11 | A | 45x60x150 |
| 1472GN-PI | 12 GN |  | 11 | D | 45x60x172 |
| 1475GN-PI | 20 GN |  | 11 | B | 80x60x150 |
| 1477GN-PI | 24 GN |  | 11 | E | 80x60x172 |
| 1480GN-PI | 30 GN |  | 11 | C | 116x60x150 |
| 1482GN-PI | 36 GN |  | 11 | F | 116x60x172 |
| 1470EN-PI | 10 EN |  | 11 | A | 49x60x150 |
| 1472EN-PI | 12 EN |  | 11 | D | 49x60x172 |
| 1475EN-PI | 20 EN |  | 11 | B | 89x60x150 |
| 1477EN-PI | 24 EN |  | 11 | E | 89x60x172 |
| 1480EN-PI | 30 EN |  | 11 | C | 129x60x150 |
| 1482EN-PI | 36 EN |  | 11 | F | 129x60x172 |

| Options |  | Description | For item |
|---------|---|---|----------|
| S1200 | 1 | Set with 2 braked castors | All |
| SE200 | 2 | Set with 4 resilient castors (2 with brake) | All |



Max overall dimensions



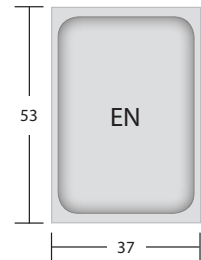
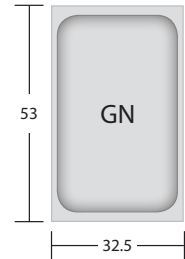
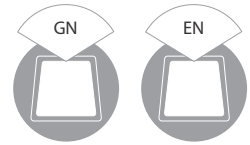
| Accessories | | Description | For item |
|-------------|---|---|----------|
| A0019 | 1 | Removable ABS container - GN size | All GN |
| A050GN | 2 | Removable stainless steel container - GN size | All GN |
| A050EN | 2 | Removable stainless steel container - EN size | All EN |



NOTE: each column corresponds to one removable container














GN - EN TRAY TROLLEYS - STAINLESS STEEL PANELS ON 3 SIDES


- Stainless steel 2x2cm square tube construction with bolted cross-members
- Stainless steel L-shaped runners
- Suitable for GN or EN trays, depending on model
- AISI 304 stainless steel panels on three sides, top shelf with rails
- Grey rubber ring buffers
- Swivel castors, ø 12.5cm



252

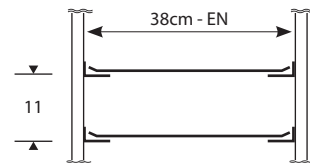
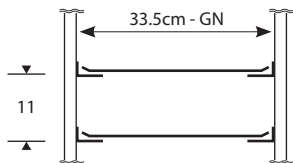
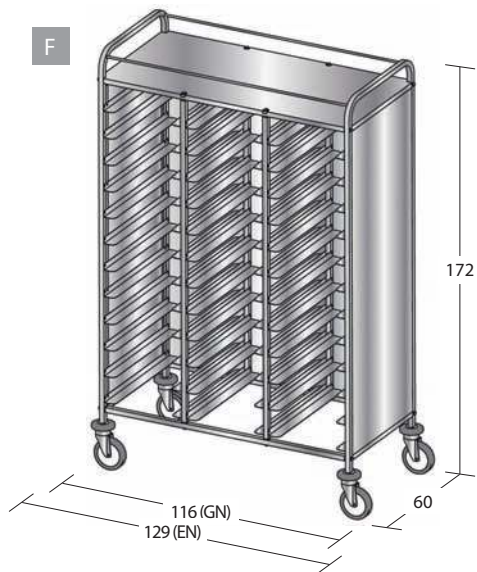
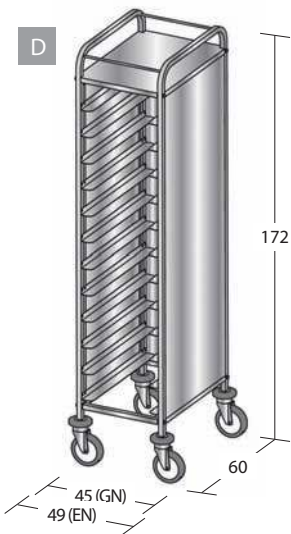
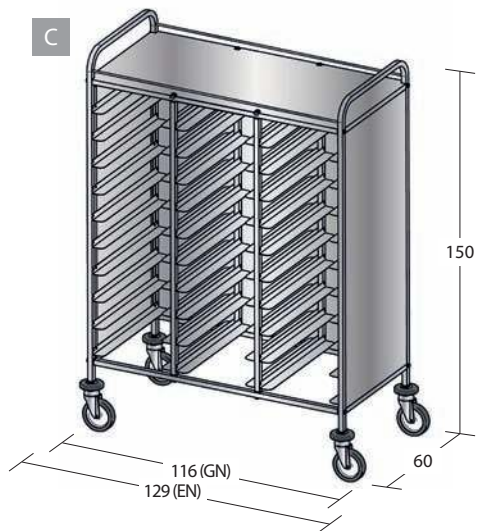
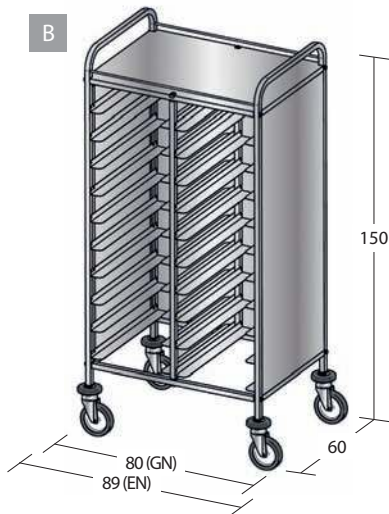
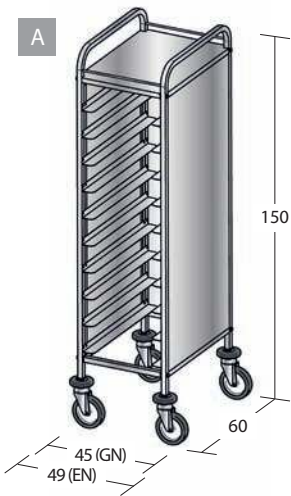
Item 1476GN

| Item | Loading capacity | Runners | Shelf spacing (cm) |  | Max dim. (cm) |
|--------|------------------|---|--------------------|---|---------------|
| 1471GN | 10 GN |  | 11 | A | 45x60x150 |
| 1474GN | 12 GN |  | 11 | D | 45x60x172 |
| 1476GN | 20 GN |  | 11 | B | 80x60x150 |
| 1478GN | 24 GN |  | 11 | E | 80x60x172 |
| 1481GN | 30 GN |  | 11 | C | 116x60x150 |
| 1483GN | 36 GN |  | 11 | F | 116x60x172 |
| 1471EN | 10 EN |  | 11 | A | 49x60x150 |
| 1474EN | 12 EN |  | 11 | D | 49x60x172 |
| 1476EN | 20 EN |  | 11 | B | 89x60x150 |
| 1478EN | 24 EN |  | 11 | E | 89x60x172 |
| 1481EN | 30 EN |  | 11 | C | 129x60x150 |
| 1483EN | 36 EN |  | 11 | F | 129x60x172 |

| Options |  | Description | For item |
|---------|---|---|----------|
| S1200 | 1 | Set with 2 braked castors | All |
| SE200 | 2 | Set with 4 resilient castors (2 with brake) | All |

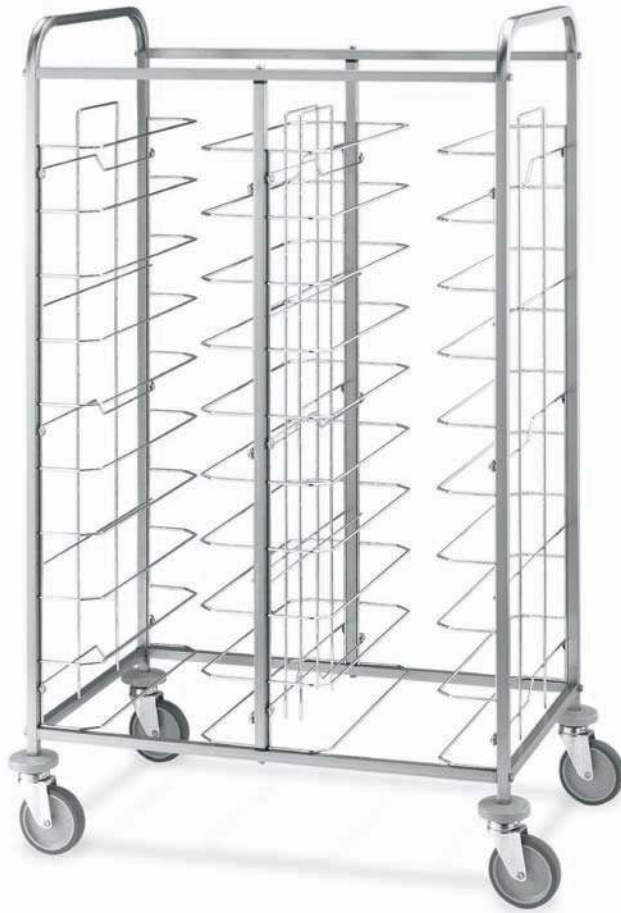
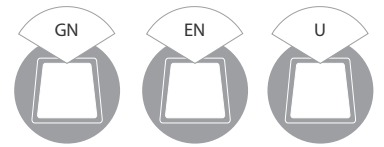


Max overall dimensions

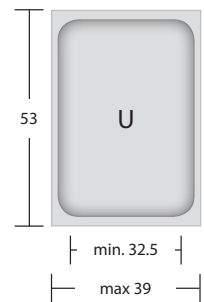
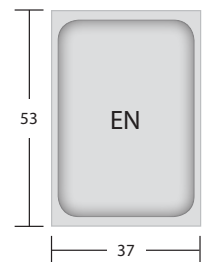
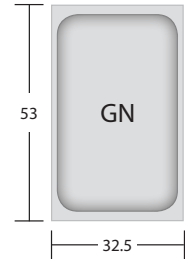


UNIVERSAL TRAY TROLLEYS


- Stainless steel 2x2cm square tube construction with bolted cross-members
- Chrome-plated steel wire supports
- Suitable for trays of max 53x39cm, even in different sizes and shapes
- Grey rubber ring buffers
- Swivel castors, ø 12.5cm




Item 1475U



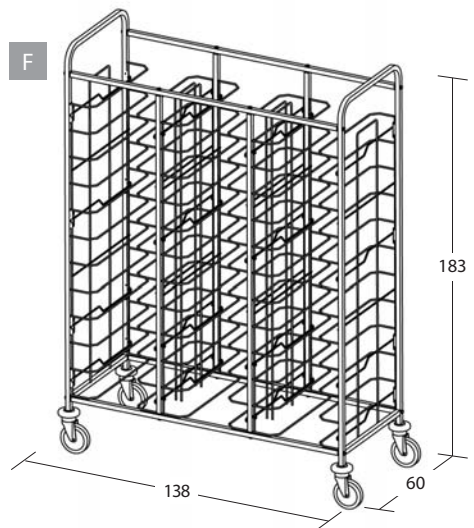
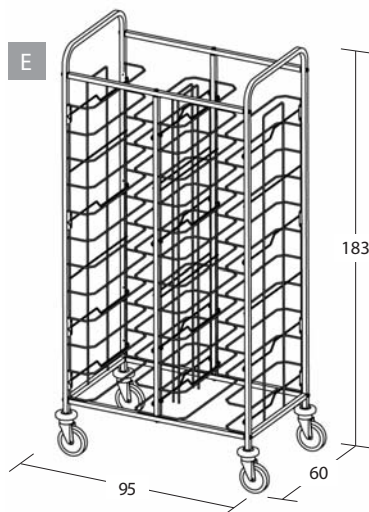
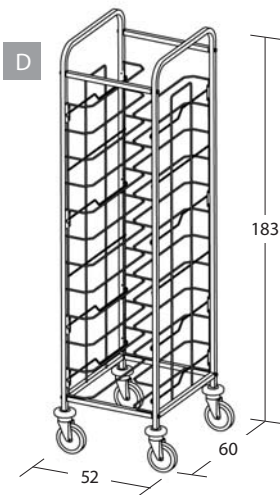
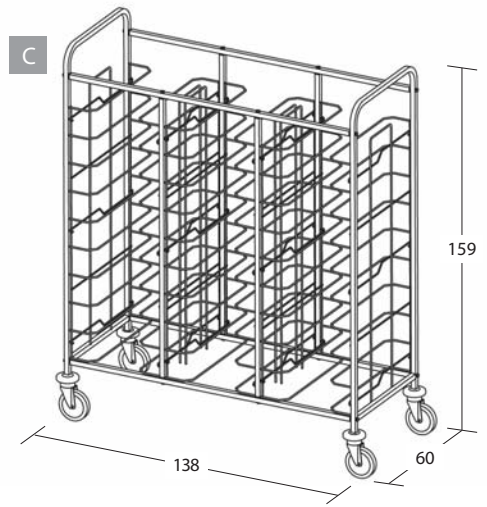
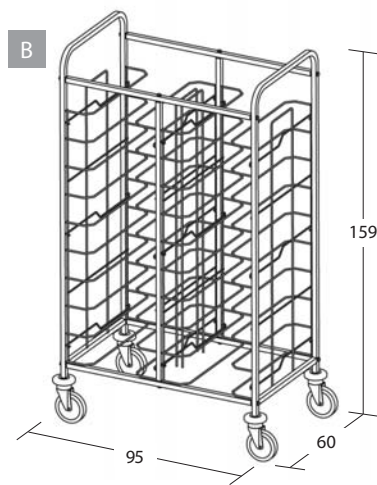
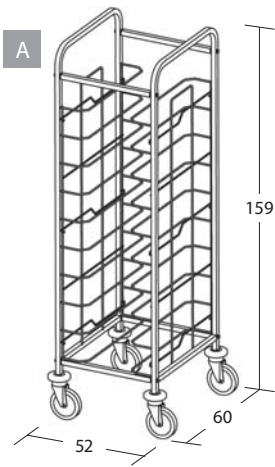
254

| Item | Loading capacity | Supports | Shelf spacing (cm) |  | Max dim. (cm) |
|-------|------------------|----------|--------------------|---|---------------|
| 1470U | 10 | wire | 11 | A | 52x60x159 |
| 1472U | 12 | wire | 11 | D | 52x60x183 |
| 1475U | 20 | wire | 11 | B | 95x60x159 |
| 1477U | 24 | wire | 11 | E | 95x60x183 |
| 1480U | 30 | wire | 11 | C | 138x60x159 |
| 1482U | 36 | wire | 11 | F | 138x60x183 |

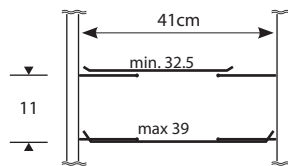
| Options |  | Description | For item |
|---------|---|---|----------|
| S1200 | 1 | Set with 2 braked castors | All |
| SE200 | 2 | Set with 4 resilient castors (2 with brake) | All |



Max overall dimensions



255



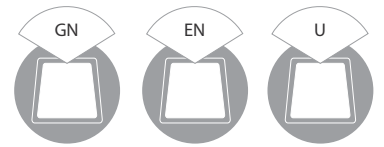
| Accessories | Description | For item |
|-------------|---|----------|
| A050U | 1 Removable stainless steel universal container | All |



NOTE: each column corresponds to one removable container

UNIVERSAL TRAY TROLLEYS WITH MELAMINE-FACED PANELS ON 2 SIDES

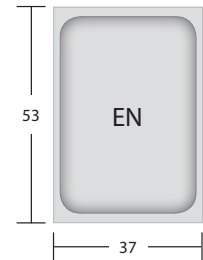
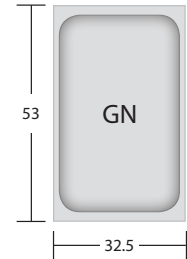
- Stainless steel 2x2cm square tube construction with bolted cross-members
- Chrome-plated steel wire supports
- Suitable for trays of max 53x39cm, even in different sizes and shapes
- Two melamine-faced side panels
- Grey rubber ring buffers
- Swivel castors, ø 12.5cm




Cherry wood




Item 1470U-PN



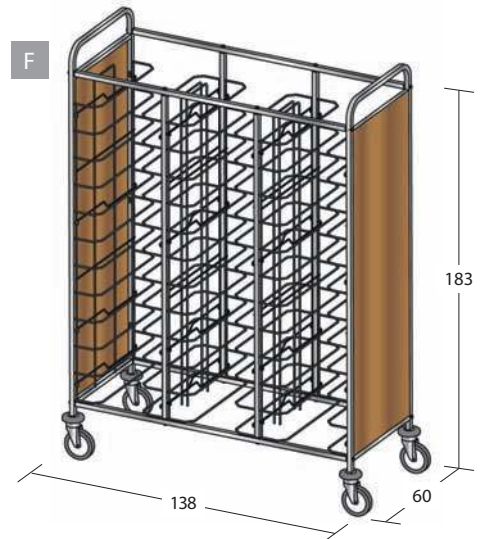
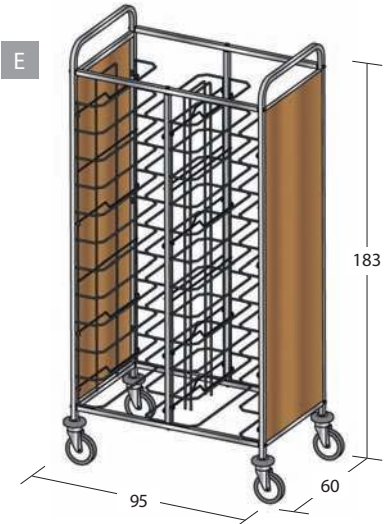
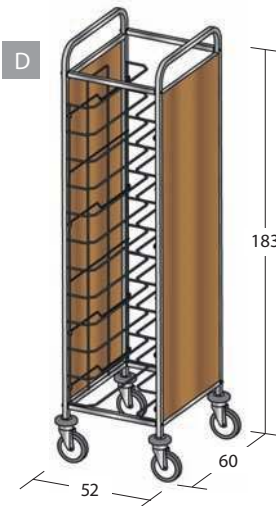
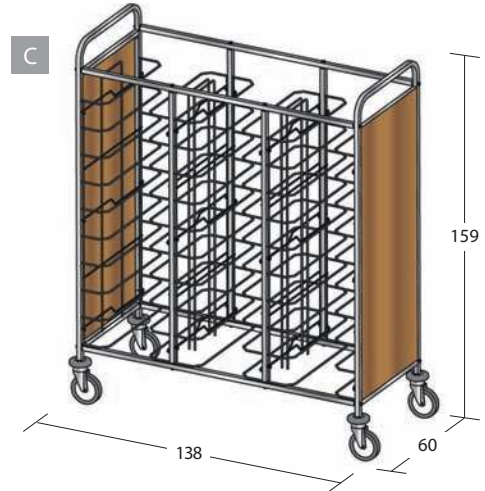
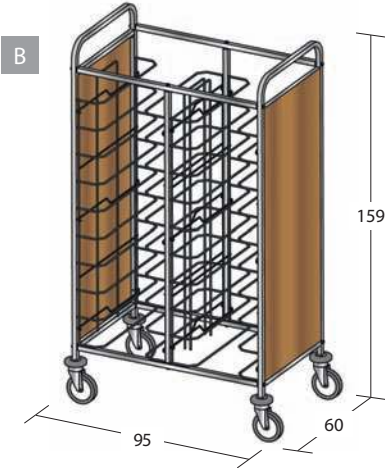
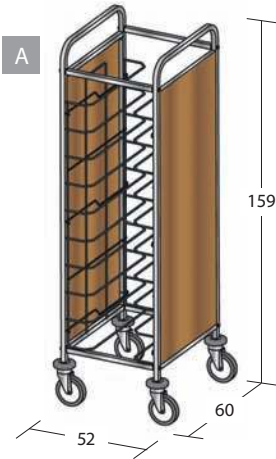
256

| Item | Loading capacity | Supports | Shelf spacing (cm) |  | Max dim. (cm) |
|----------|------------------|----------|--------------------|---|---------------|
| 1470U-PN | 10 | wire | 11 | A | 52x60x159 |
| 1472U-PN | 12 | wire | 11 | D | 52x60x183 |
| 1475U-PN | 20 | wire | 11 | B | 95x60x159 |
| 1477U-PN | 24 | wire | 11 | E | 95x60x183 |
| 1480U-PN | 30 | wire | 11 | C | 138x60x159 |
| 1482U-PN | 36 | wire | 11 | F | 138x60x183 |

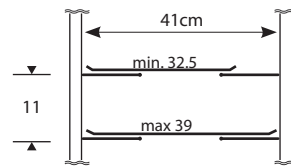
| Options |  | Description | For item |
|---------|---|---|----------|
| S1200 | 1 | Set with 2 braked castors | All |
| SE200 | 2 | Set with 4 resilient castors (2 with brake) | All |



Max overall dimensions



257



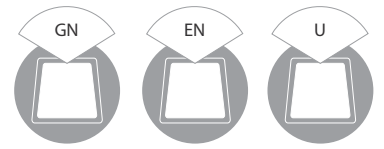
| Accessories | Description | For item |
|-------------|---|----------|
| A050U | 1 Removable stainless steel universal container | All |



NOTE: each column corresponds to one removable container

UNIVERSAL TRAY TROLLEYS WITH MELAMINE-FACED PANELS ON 3 SIDES

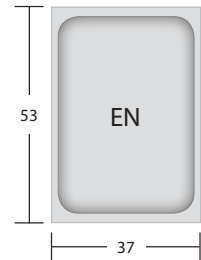
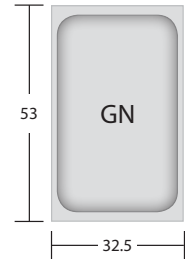
- Stainless steel 2x2cm square tube construction with bolted cross-members
- Chrome-plated steel wire supports
- Suitable for trays of max 53x39cm, even in different sizes and shapes
- Melamine-faced panels on three sides, top shelf with rails
- Grey rubber ring buffers
- Swivel castors, ø 12.5cm



Cherry wood



Item 1471SU



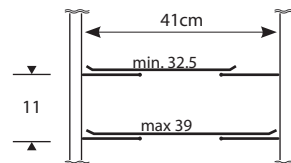
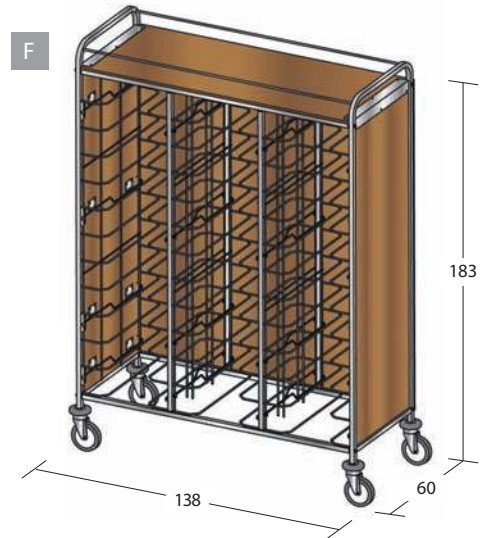
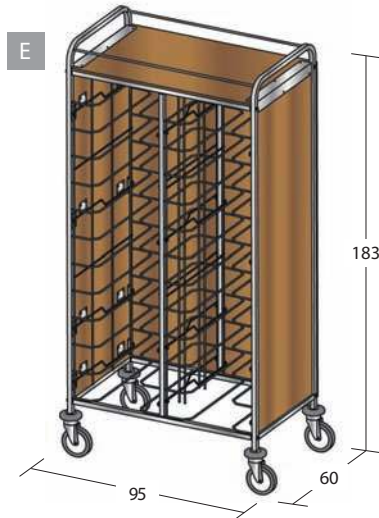
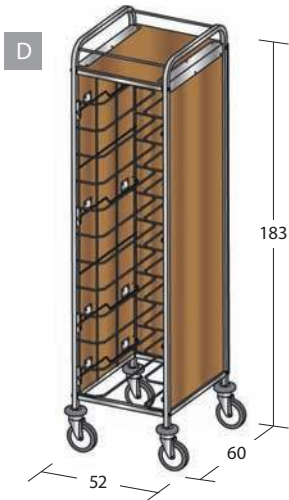
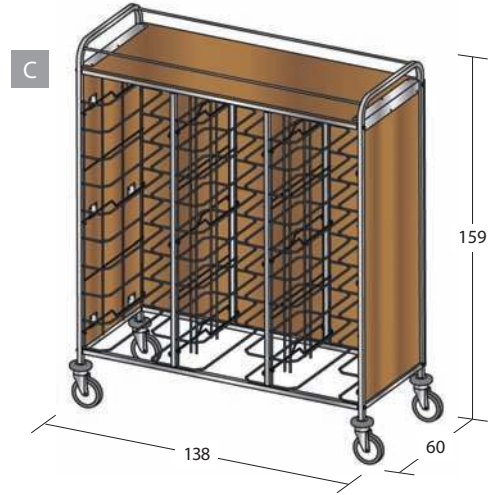
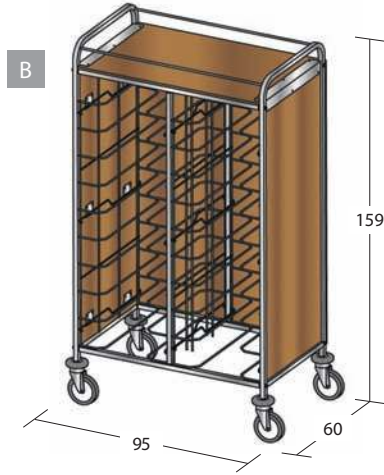
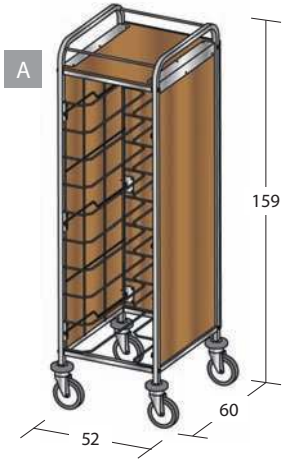
258

| Item | Loading capacity | Supports | Shelf spacing (cm) | | Max dim. (cm) |
|--------|------------------|----------|--------------------|---|---------------|
| 1471SU | 10 | wire | 11 | A | 52x60x159 |
| 1474SU | 12 | wire | 11 | D | 52x60x183 |
| 1476SU | 20 | wire | 11 | B | 95x60x159 |
| 1478SU | 24 | wire | 11 | E | 95x60x183 |
| 1481SU | 30 | wire | 11 | C | 138x60x159 |
| 1483SU | 36 | wire | 11 | F | 138x60x183 |

| Options | | Description | For item |
|---------|---|---|----------|
| S1200 | 1 | Set with 2 braked castors | All |
| SE200 | 2 | Set with 4 resilient castors (2 with brake) | All |

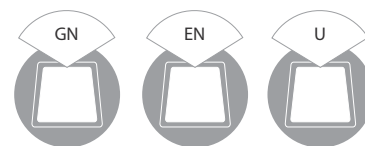


Max overall dimensions

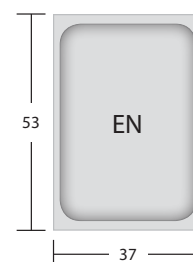
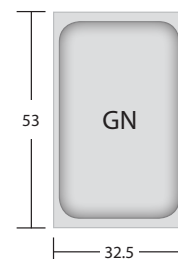


UNIVERSAL TRAY TROLLEYS WITH STAINLESS STEEL PANELS ON 2 SIDES


- Stainless steel 2x2cm square tube construction with bolted cross-members
- Chrome-plated steel wire supports
- Suitable for trays of max 53x39cm, even in different sizes and shapes
- Two AISI 304 stainless steel side panels
- Grey rubber ring buffers
- Swivel castors, ø 12.5cm




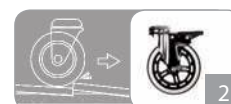
Item 1475U-PI



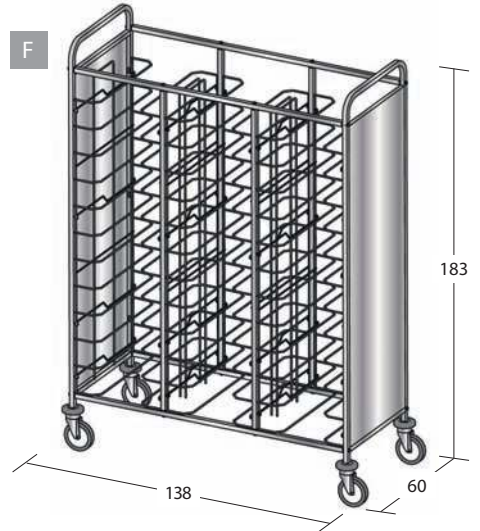
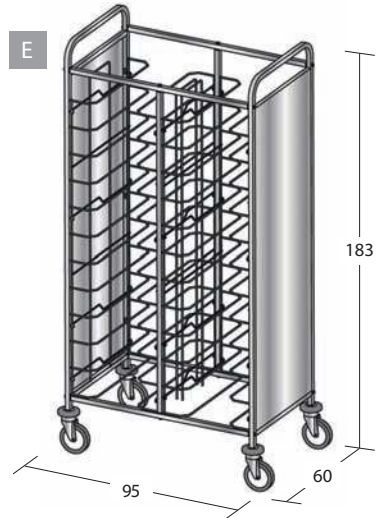
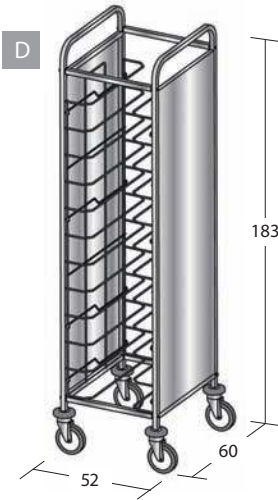
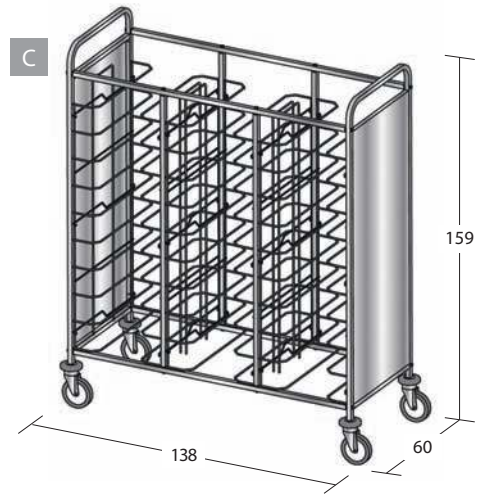
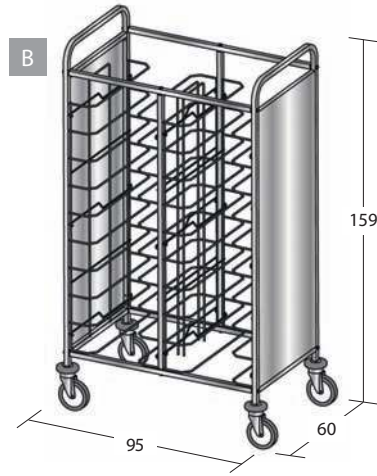
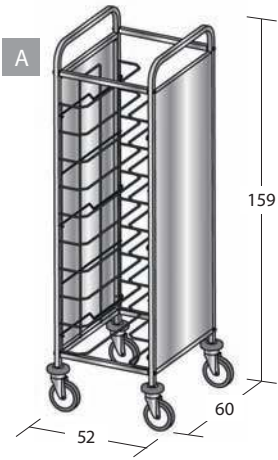
260

| Item | Loading capacity | Supports | Shelf spacing (cm) |  | Max dim. (cm) |
|----------|------------------|----------|--------------------|---|---------------|
| 1470U-PI | 10 | wire | 11 | A | 52x60x159 |
| 1472U-PI | 12 | wire | 11 | D | 52x60x183 |
| 1475U-PI | 20 | wire | 11 | B | 95x60x159 |
| 1477U-PI | 24 | wire | 11 | E | 95x60x183 |
| 1480U-PI | 30 | wire | 11 | C | 138x60x159 |
| 1482U-PI | 36 | wire | 11 | F | 138x60x183 |

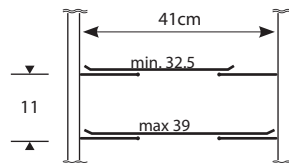
| Options |  | Description | For item |
|---------|---|---|----------|
| S1200 | 1 | Set with 2 braked castors | All |
| SE200 | 2 | Set with 4 resilient castors (2 with brake) | All |



Max overall dimensions



261



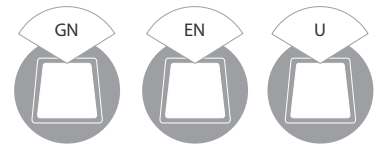
| Accessories | Description | For item |
|-------------|---|----------|
| A050U | 1 Removable stainless steel universal container | All |



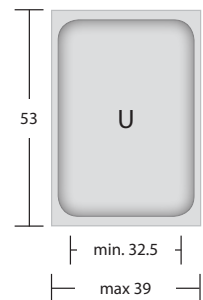
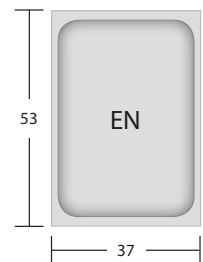
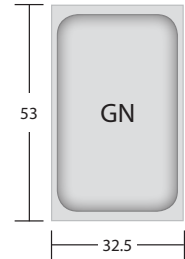
NOTE: each column corresponds to one removable container

UNIVERSAL TRAY TROLLEYS WITH STAINLESS STEEL PANELS ON 3 SIDES


- Stainless steel 2x2cm square tube construction with bolted cross-members
- Chrome-plated steel wire supports
- Suitable for trays of max 53x39cm, even in different sizes and shapes
- AISI 304 stainless steel panels on three sides, top shelf with rails
- Grey rubber ring buffers
- Swivel castors, ø 12.5cm




Item 1476U



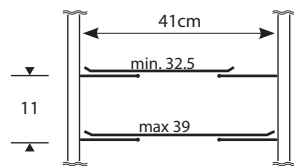
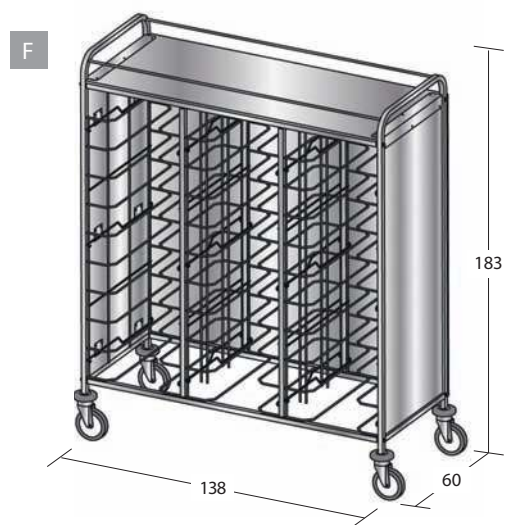
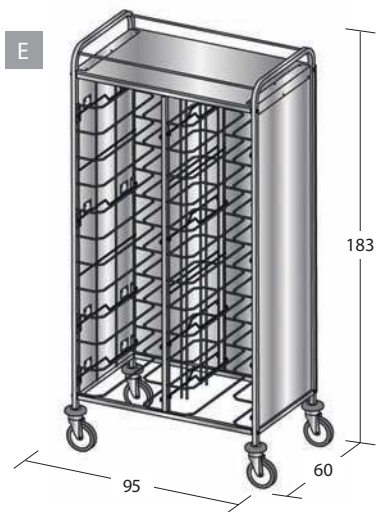
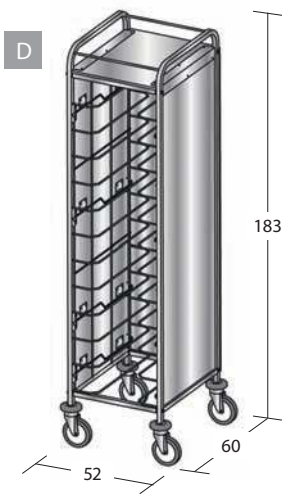
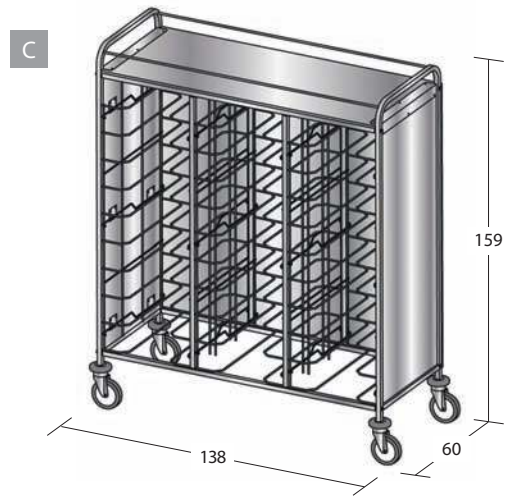
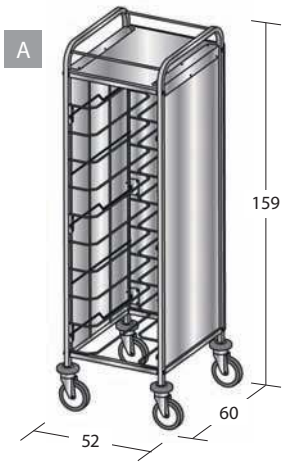
262

| Item | Loading capacity | Supports | Shelf spacing (cm) |  | Max dim. (cm) |
|-------|------------------|----------|--------------------|---|---------------|
| 1471U | 10 | wire | 11 | A | 52x60x159 |
| 1474U | 12 | wire | 11 | D | 52x60x183 |
| 1476U | 20 | wire | 11 | B | 95x60x159 |
| 1478U | 24 | wire | 11 | E | 95x60x183 |
| 1481U | 30 | wire | 11 | C | 138x60x159 |
| 1483U | 36 | wire | 11 | F | 138x60x183 |

| Options |  | Description | For item |
|---------|---|---|----------|
| S1200 | 1 | Set with 2 braked castors | All |
| SE200 | 2 | Set with 4 resilient castors (2 with brake) | All |

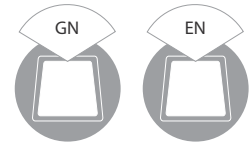


Max overall dimensions



GN - EN TRAY TROLLEYS

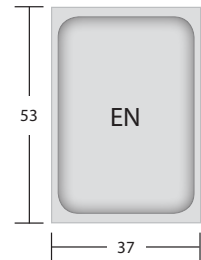
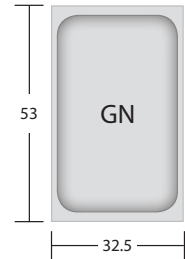
- Stainless steel 2.5x2.5cm square tube construction with bolted cross-members
- Stainless steel L-shaped runners
- Grey rubber ring buffers
- Swivel castors, ø 12.5cm








SUITABLE FOR EUROTHERM TRAYS




Item 1494-GN



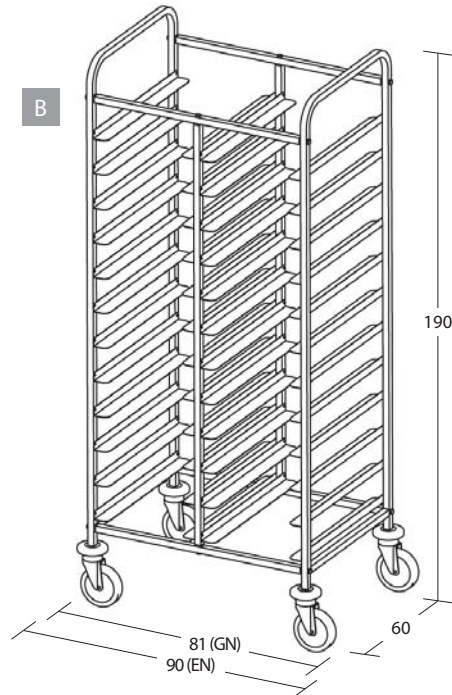
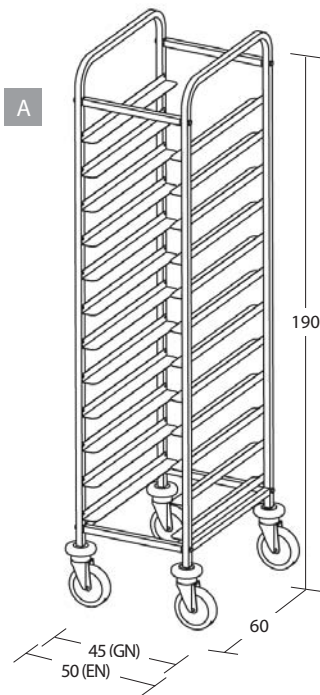
264

| Item | Loading capacity | Runners | Shelf spacing (cm) |  | Max dim. (cm) |
|---------|------------------|---|--------------------|---|---------------|
| 1494-GN | 12 GN |  | 12 | A | 45x60x190 |
| 1495-GN | 24 GN |  | 12 | B | 81x60x190 |
| 1494-EN | 12 EN |  | 12 | A | 50x60x190 |
| 1495-EN | 24 EN |  | 12 | B | 90x60x190 |

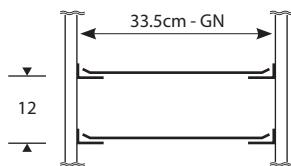
| Options |  | Description | For item |
|---------|---|---|----------|
| S1220 | 1 | Set with 2 braked castors | All |
| SE220 | 2 | Set with 4 resilient castors (2 with brake) | All |



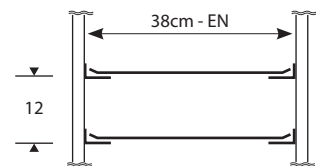
Max overall dimensions



Item 1494-GN, 1495-GN



Item 1494-EN, 1495-EN



| Accessories | | Description | For item |
|-------------|---|---|----------|
| A0019 | 1 | Removable ABS container - GN size | All GN |
| A050GN | 2 | Removable stainless steel container - GN size | All GN |
| A050EN | 2 | Removable stainless steel container - EN size | All EN |



NOTE: each column corresponds to one removable container

GN CONTAINER TROLLEYS WITH C-SHAPED RUNNERS

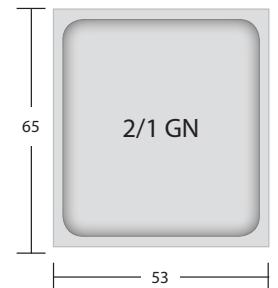
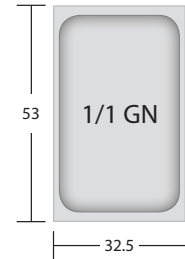
- Stainless steel 2x2cm square tube construction with bolted cross-members
- C-shaped stainless steel sheet runners to prevent overturning
- Suitable for GN containers
- Stainless steel top for items 2073 and 2074
- Grey rubber ring buffers
- Swivel castors - ø 9.5cm for items 2073 and 2074 - or ø 12.5cm for items 2070 and 2072








Item 2074




Item 2072 + S1200



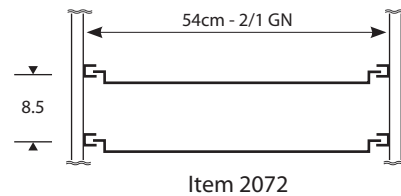
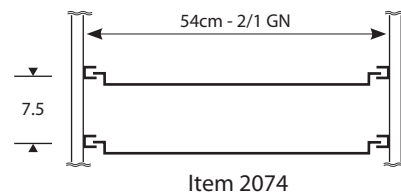
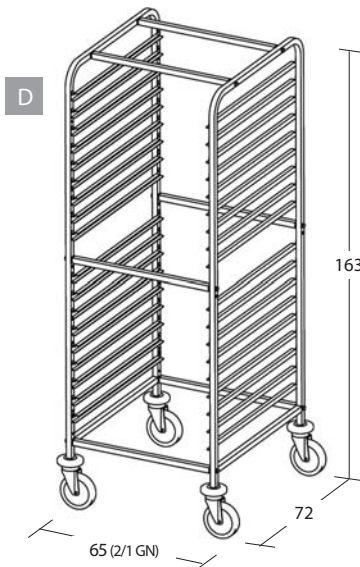
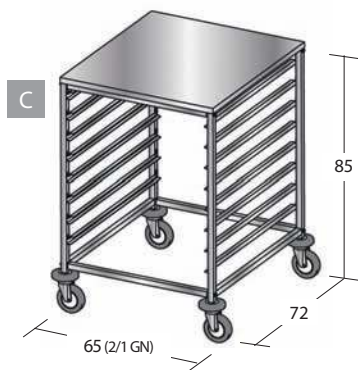
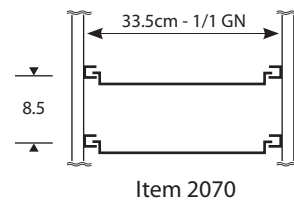
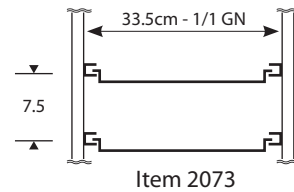
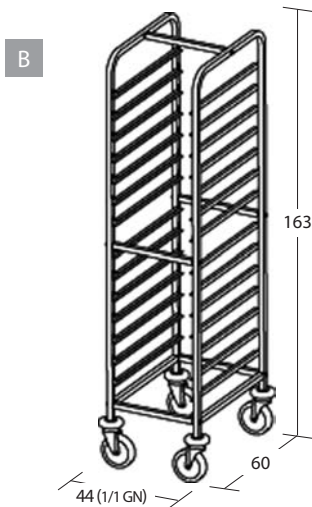
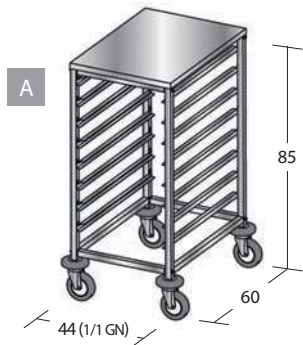
266

| Item | Loading capacity | Runners | Shelf spacing (cm) |  | Max dim. (cm) |
|------|------------------|---|--------------------|---|---------------|
| 2070 | 14 1/1 GN |  | 8.5 | B | 44x60x163 |
| 2072 | 14 2/1 GN |  | 8.5 | D | 65x72x163 |
| 2073 | 8 1/1 GN |  | 7.5 | A | 44x60x85 |
| 2074 | 8 2/1 GN |  | 7.5 | C | 65x72x85 |

| Options |  | Description | For item |
|---------|---|---------------------------|-------------|
| S1200 | 1 | Set with 2 braked castors | 2070 - 2072 |
| S1130 | 1 | Set with 2 braked castors | 2073 - 2074 |



Max overall dimensions



| Accessories | | Description | For item |
|-------------|---|-----------------------------------|-------------|
| A0170 | 1 | 1/1 GN stainless steel wire shelf | 2070 - 2073 |
| A0171 | 1 | 2/1 GN stainless steel wire shelf | 2072 - 2074 |

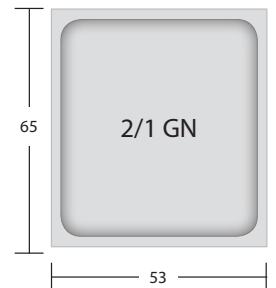
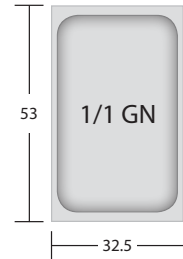







GN CONTAINER TROLLEYS WITH C-SHAPED RUNNERS & STAINLESS STEEL PANELS ON 2 SIDES


- Stainless steel 2x2cm square tube construction with bolted cross-members
- C-shaped stainless steel sheet runners to prevent overturning
- Suitable for GN containers
- Two AISI 304 stainless steel side panels
- Stainless steel top for items 2073-PI and 2074-PI
- Grey rubber ring buffers
- Swivel castors - ø 9.5cm for items 2073-PI and 2074-PI - or ø 12.5cm for items 2070-PI and 2072-PI



Item 2070-PI + S1200

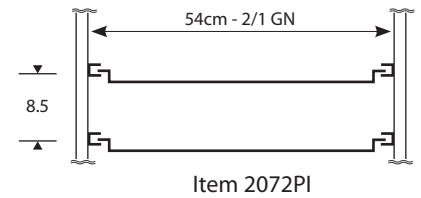
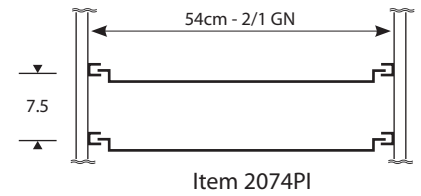
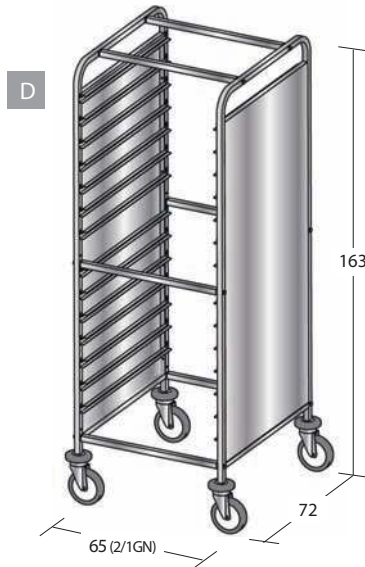
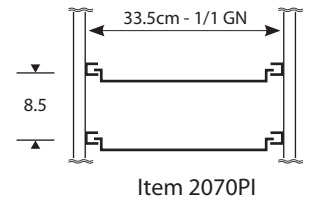
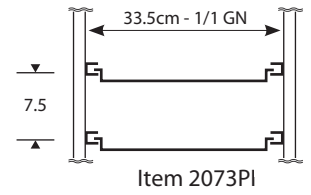
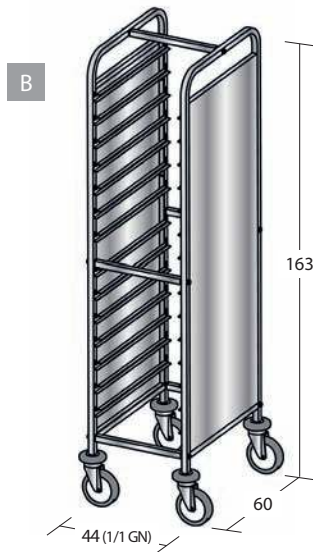
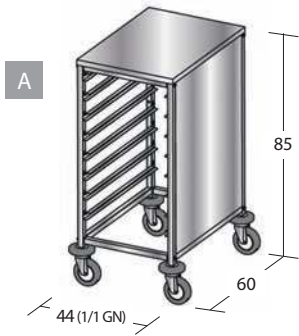


| Item | Loading capacity | Runners | Shelf spacing (cm) |  | Max dim. (cm) |
|--------|------------------|---|--------------------|---|---------------|
| 2070PI | 14 1/1 GN |  | 8.5 | B | 44x60x163 |
| 2072PI | 14 2/1 GN |  | 8.5 | D | 65x72x163 |
| 2073PI | 8 1/1 GN |  | 7.5 | A | 44x60x85 |
| 2074PI | 8 2/1 GN |  | 7.5 | C | 65x72x85 |

| Options |  | Description | For item |
|---------|---|---------------------------|-------------------|
| S1200 | 1 | Set with 2 braked castors | 2070-PI - 2072-PI |
| S1130 | 1 | Set with 2 braked castors | 2073-PI - 2074-PI |



Max overall dimensions



| Accessories | | Description | For item |
|-------------|---|-----------------------------------|-------------------|
| A0170 | 1 | 1/1 GN stainless steel wire shelf | 2070-PI - 2073-PI |
| A0171 | 1 | 2/1 GN stainless steel wire shelf | 2072-PI - 2074-PI |



GN CONTAINER TROLLEYS WITH C-SHAPED RUNNERS

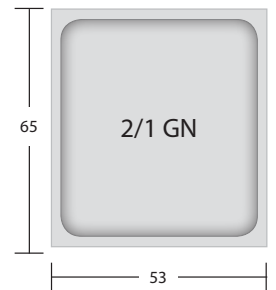
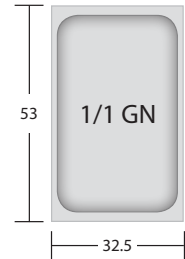
- Stainless steel 2.5x2.5cm square tube construction with bolted cross-members
- C-shaped stainless steel sheet runners with end stops to prevent sliding and overturning
- Suitable for GN containers
- "S" version with welded structure, crosspieces and flaps
- Grey rubber ring buffers
- Swivel castors, ø 12.5cm








Item 2062 + S1220



Item 2060 + S1220



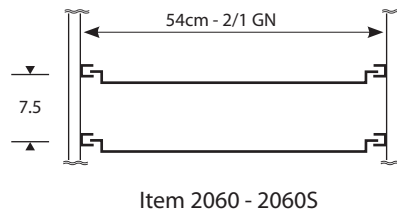
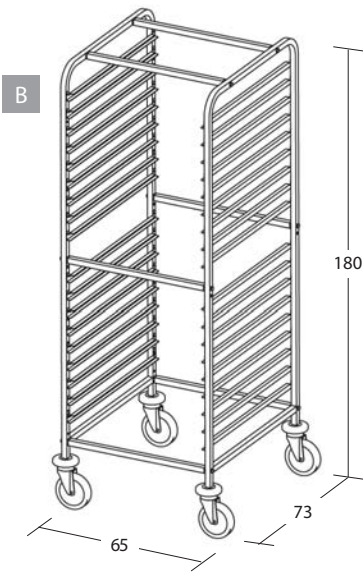
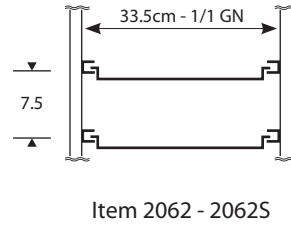
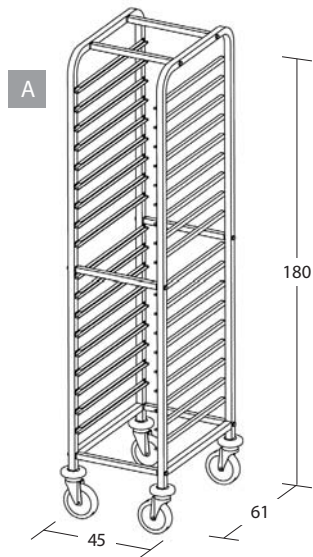
270

| Item | Loading capacity | Runners | Shelf spacing (cm) |  | Max dim. (cm) |
|-------|------------------|---|--------------------|---|---------------|
| 2060 | 18 2/1 GN |  | 7.5 | B | 65x73x180 |
| 2060S | 18 2/1 GN |  | 7.5 | B | 65x73x180 |
| 2062 | 18 1/1 GN |  | 7.5 | A | 45x61x180 |
| 2062S | 18 1/1 GN |  | 7.5 | A | 45x61x180 |

| Options |  | Description | For item |
|---------|---|---------------------------|----------|
| S1220 | 1 | Set with 2 braked castors | All |



Max overall dimensions



| Accessories | | Description | For item |
|-------------|---|-----------------------------------|--------------|
| A0170 | 1 | 1/1 GN stainless steel wire shelf | 2062 - 2062S |
| A0171 | 1 | 2/1 GN stainless steel wire shelf | 2060 - 2060S |



GN CONTAINER TROLLEYS WITH WIRE SUPPORTS

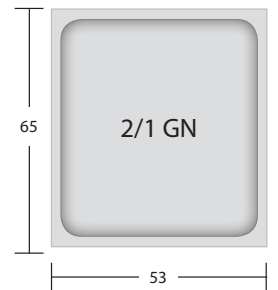
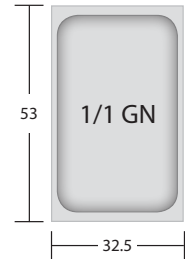
- Stainless steel 2x2cm square tube construction with bolted cross-members
- Stainless steel wire supports
- Suitable for GN trays and containers
- Stainless steel top for items 2080 and 2082
- Grey rubber ring buffers for items 2090 and 2092
- Swivel castors - ø 9.5cm for items 2080 and 2082 - or ø 12.5cm for items 2090 and 2092




Item 2080 + S1130




Item 2092



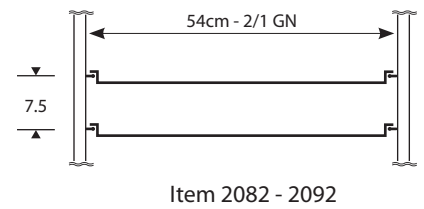
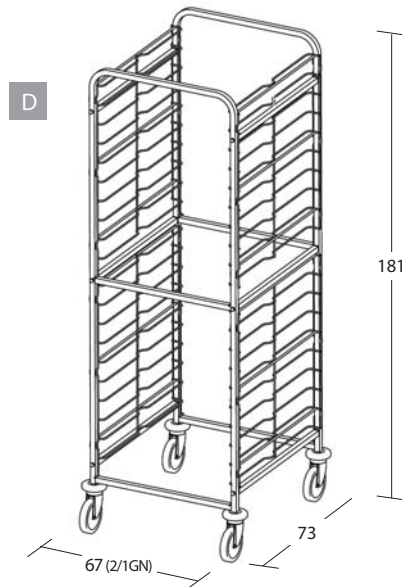
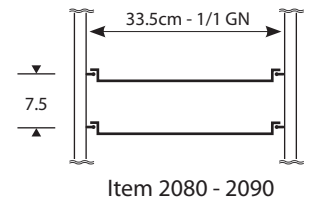
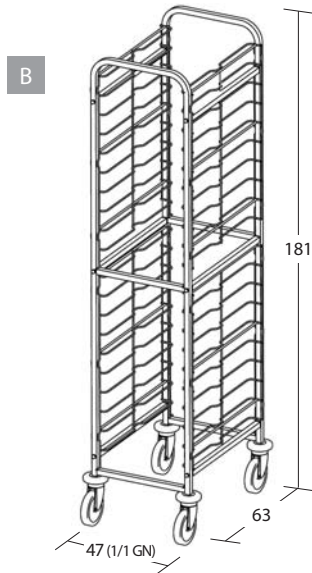
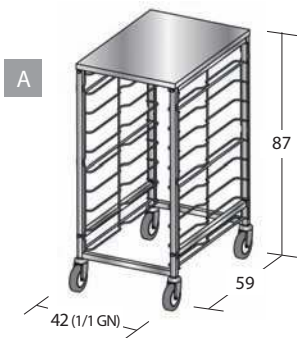
272

| Item | Loading capacity | Supports | Shelf spacing (cm) |  | Max dim. (cm) |
|------|------------------|----------|--------------------|---|---------------|
| 2080 | 9 1/1 GN | wire | 7.5 | A | 42x59x87 |
| 2082 | 9 2/1 GN | wire | 7.5 | C | 62x69x87 |
| 2090 | 20 1/1 GN | wire | 7.5 | B | 47x63x181 |
| 2092 | 20 x 2/1 GN | wire | 7.5 | D | 67x73x181 |

| Options |  | Description | For item |
|---------|---|---------------------------|-------------|
| S1130 | 1 | Set with 2 braked castors | 2080 - 2082 |
| S1200 | 1 | Set with 2 braked castors | 2090 - 2092 |



Max overall dimensions

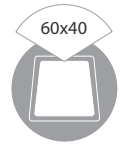


| Accessories | | Description | For item |
|-------------|---|-----------------------------------|-------------|
| A0170 | 1 | 1/1 GN stainless steel wire shelf | 2080 - 2090 |
| A0171 | 1 | 2/1 GN stainless steel wire shelf | 2082 - 2092 |



60x40cm CONTAINER TROLLEYS WITH L-SHAPED RUNNERS

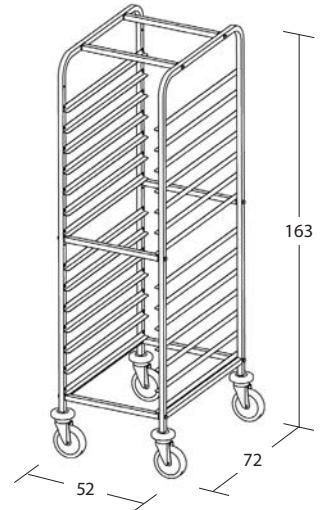
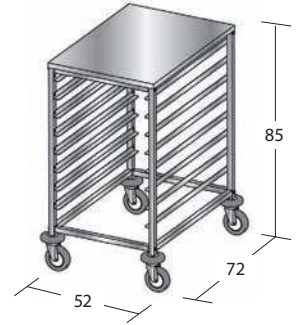
- Stainless steel 2x2cm square tube construction with bolted cross-members
- Stainless steel L-shaped runners
- Suitable for 60x40cm containers
- Stainless steel top for items 2078
- Grey rubber ring buffers
- Swivel castors - \varnothing 9.5cm for items 2078 - or \varnothing 12.5cm for items 2076



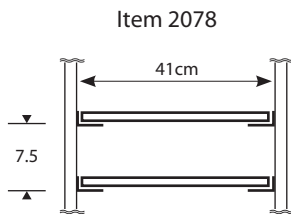
Item 2078



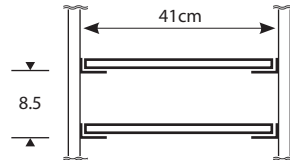
Item 2076 + S1200



274

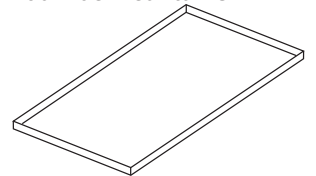


Item 2078



Item 2076

60x40cm container

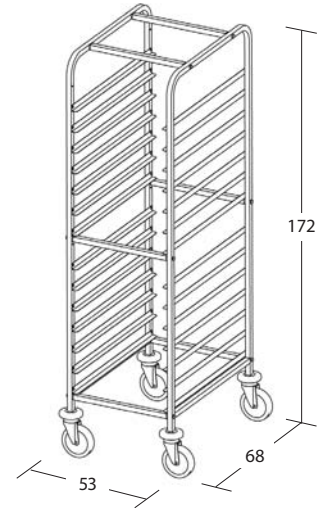
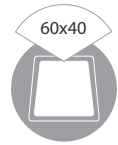


| Item | Loading capacity | Runners | Shelf spacing (cm) | Max dim. (cm) |
|------|------------------|---------|--------------------|---------------|
| 2076 | 14 | L | 8.5 | 52x72x163 |
| 2078 | 8 | L | 7.5 | 52x72x85 |

| Options | Description | For item |
|---------|-----------------------------|----------|
| S1130 | 1 Set with 2 braked castors | 2078 |
| S1200 | 1 Set with 2 braked castors | 2076 |



- Stainless steel 2.5x2.5cm square tube construction with bolted cross-members
- Stainless steel L-shaped runners with end stops
- Suitable for 60x40cm containers
- "S" version with welded structure, crosspieces and flaps
- Grey rubber ring buffers
- Swivel castors, ø 12.5cm

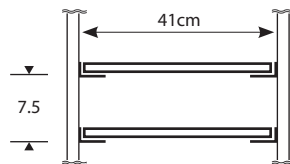


Item 2066 + S1220

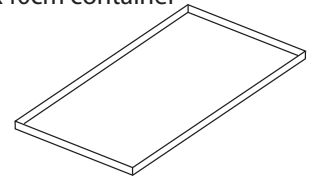
275



Item 2066 - 2066S



60x40cm container



| Item | Loading capacity | Runners | Shelf spacing (cm) | Max dim. (cm) |
|-------|------------------|---------|--------------------|---------------|
| 2066 | 18 | L | 7.5 | 53x68x172 |
| 2066S | 18 | L | 7.5 | 53x68x172 |

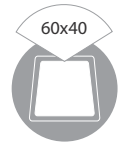
| Options | Description | For item |
|---------|-----------------------------|----------|
| S1220 | 1 Set with 2 braked castors | All |



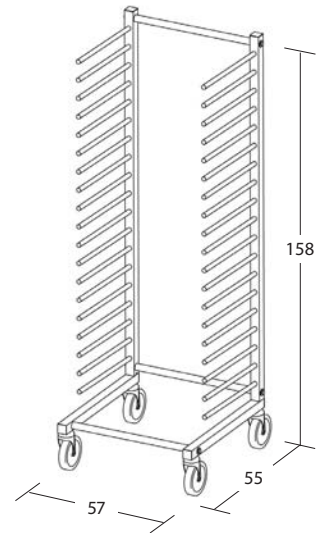
1

60x40cm CONTAINER TROLLEYS

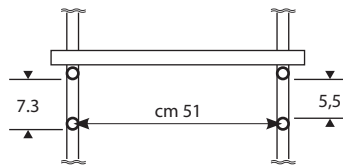
- Stainless steel 3.5x3.5cm square tube construction with bolted cross-members
- Stainless steel tubular supports - \varnothing 1.6cm
- Suitable for 60x40cm containers
- Swivel castors, \varnothing 12.5cm



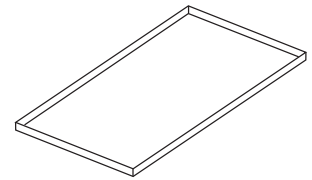
Item 1497



276



60x40cm container



| Item | Loading capacity | Supports | Shelf spacing (cm) | Max dim. (cm) |
|------|------------------|----------|--------------------|---------------|
| 1497 | 20 | tubular | 7.3 | 57x55x158 |

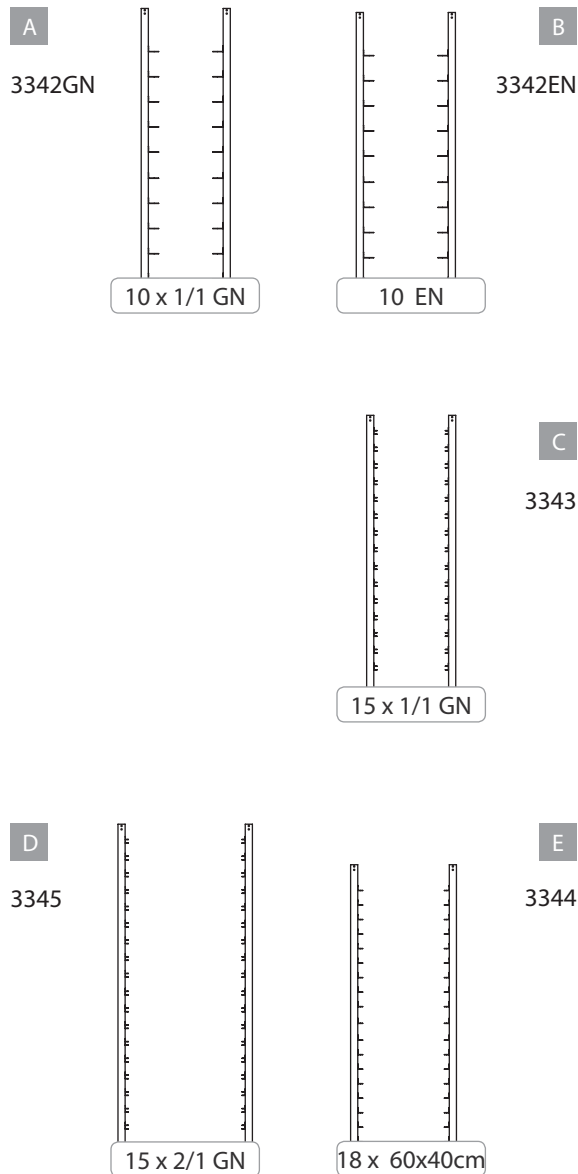
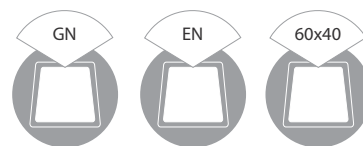
Options  Description For item

S1190 1 Set with 2 braked castors

1497



- AISI 304 stainless steel sheet construction, brushed finish
- 1 front hinged door opening to 270°
- Snap closure handle
- Two stainless steel tubular push bars with PVC brackets on one side
- C-shaped or L-shaped stainless steel sheet supports for trays/containers of various shapes and sizes
- All round grey non marking rubber bumper
- Swivel wheels - ø 12.5cm (2 with brake)



277

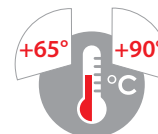
| Item | Loading capacity | Runners | Shelf spacing (cm) | | Max dim. (cm) |
|--------|------------------|---------|--------------------|---|---------------|
| 3342GN | 10 1/1 GN | | 11 | A | 52x65x142 |
| 3342EN | 10 EN | | 11 | B | 56x65x142 |
| 3343 | 15 1/1 GN | | 7.5 | C | 52x65x142 |
| 3345 | 15 2/1 GN | | 7.5 | D | 72x77x142 |
| 3344 | 18 60x40cm | | 6.5 | E | 59x77x145 |

| Options | | Description | For item |
|---------|---|---|----------|
| SE230 | 1 | Set with 4 resilient castors (2 with brake) | All |

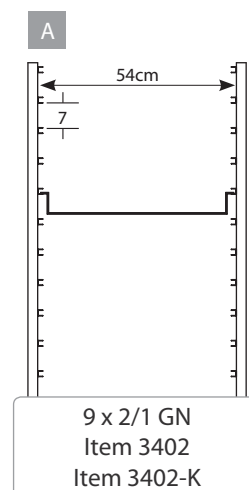


TRAY/PAN MOBILE CUPBOARDS - INSULATED/HEATED VERSION

- Insulated AISI 304 stainless steel sheet construction, brushed finish
- Removable seal
- 1 front hinged door opening to 270°
- Snap closure handle (lock available on request)
- Push bar
- Internal compartment with rounded edges and special supports for 2/1GN-1/1GN containers
- Ventilated heating unit with powered fan and heating element
- Built-in control panel fitted with ON/OFF switch with warning light, digital thermostat-thermometer, and coiled power cable at the back
- Mains supply: 230V, 50/60 Hz, single-phase; power 1600W
- Water container to release moisture inside the cupboard
- Grey non marking rubber bumpers
- Swivel wheels - ø 12.5cm (2 with brake), with grey non marking rubber tread. Resilient wheels for uneven floors or outdoor use available on request



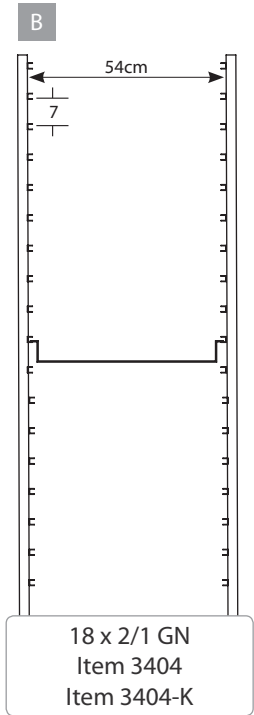
Item 3402-K



| Item | Loading capacity | Runners | Shelf spacing (cm) | Watt | 📷 | Max dim. (cm) |
|--------|------------------|---------|--------------------|------|---|---------------|
| 3402 | 9 x 2/1 GN | ☐ | 7 | | A | 92x72x110 |
| 3404 | 18 x 2/1 GN | ☐ | 7 | | B | 92x72x170 |
| 3402-K | 9 x 2/1 GN | ☐ | 7 | 1600 | A | 92x72x110 |
| 3404-K | 18 x 2/1 GN | ☐ | 7 | 1600 | B | 92x72x170 |



Item 3404-K



Detail: base with rubber buffers

| Options | Description | For item |
|---------|---|----------|
| SE230 | 1 Set with 4 resilient castors (2 with brake) | All |



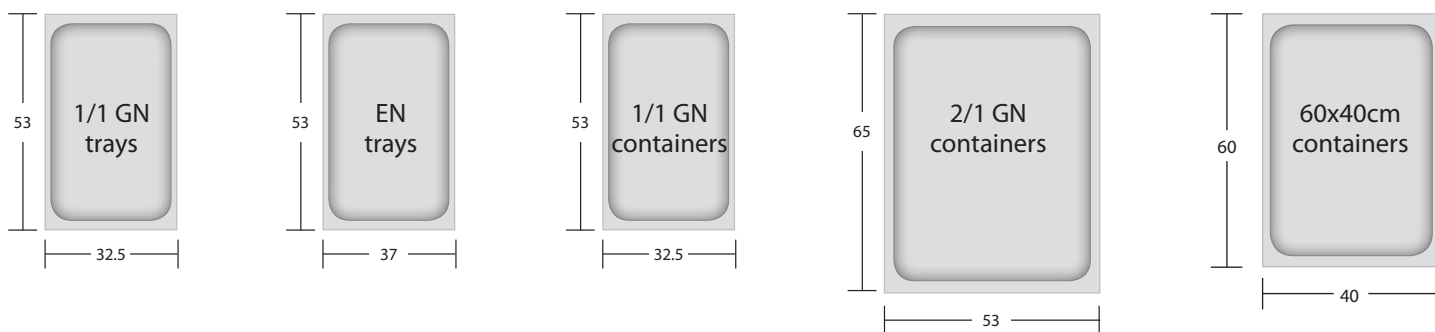
| Accessories | Description | For item |
|-------------|-------------------------|----------|
| A0038 | - Door handle with lock | All |

| | | |
|-------|-----------------------------------|-----|
| A0171 | 1 2/1GN stainless steel wire rack | All |
|-------|-----------------------------------|-----|



PRESENTATION OF TRAY/PAN MOBILE CUPBOARDS

- The range includes a number of models characterized by different heights (150cm, 190cm), capacities (GN-EN-universal trays, GN-60x40 containers) and runners (L-shaped, C-shaped and universal)
- The fully welded construction is made from AISI 304 stainless steel sheet with brushed finish. Single skin, insulated double skin (series DP) and heated (series K) versions available.
- 1 or 2 double skin front doors with rubber seal, opening to 270°
- Snap closure handle (lock available on request)
- Two push bars on both sides that can be used even with the doors open
- Internal compartment fitted with runners for pans and trays of different shapes depending on model
- All round grey non marking rubber bumper
- Two fixed and two braked swivel castors, \varnothing 16cm, with galvanized brackets; grey non marking rubber tread rolling on bearings. Resilient castors for uneven floors or outdoor use available on request



280



Stainless steel tube handles with PVC supports that can be used also with open doors



Runners for pans and trays of different shapes



All round non marking grey rubber bumper



Double skinned front doors with seal, opening to 270°



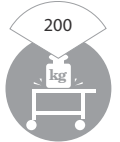
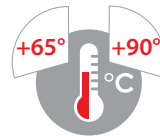
Two fixed and two braked swivel castors, rolling on bearings

INSULATED HEATED VERSIONS:

- Insulated construction made from expanded polyurethane panels fitted between the steel sheet walls
- Thermometer
- Ventilated heating unit consisting of an AISI 304 stainless steel sheet casing containing a powered fan and heating element, built-in control panel fitted with ON/OFF switch with warning light, thermostat, operation warning light and coiled power cable at the back
- The heating unit can be pulled out for ease of maintenance (the cupboard can be washed with a water jet after disassembling the electrical parts)
- Mains supply: 230V, 50/60 Hz, single-phase; power 1600W (1600W x 2 with double doors)
- Water trough to release moisture inside the cupboard



Thermometer



Humidifier

Note: the heating unit is fitted inside one single casing and can be pulled out with no need for special tools or specialized technicians to intervene. Easy to replace in case of malfunction. Please contact your dealer to order a new or regenerated unit. The latter solution is less expensive as the defective unit shall be returned and only the replaced parts + transport fees will be charged.



Removable heating unit, complete with power cable



Compartment with no heating unit ready for cleaning





Control panel

TRAY/PAN MOBILE CUPBOARDS - AMBIENT/INSULATED VERSION

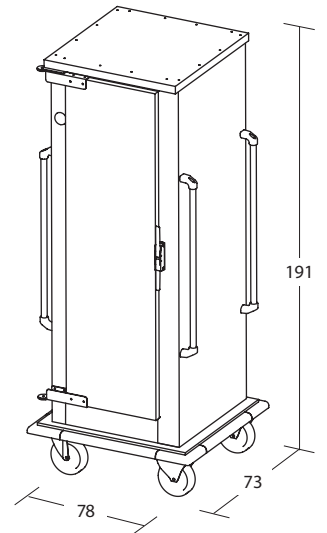
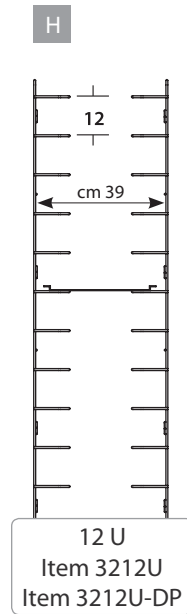
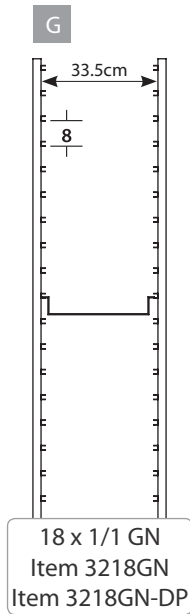
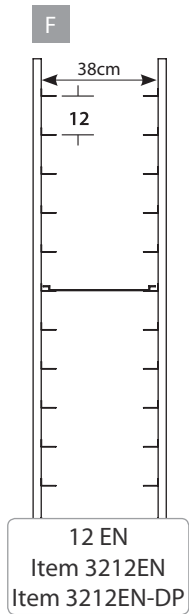
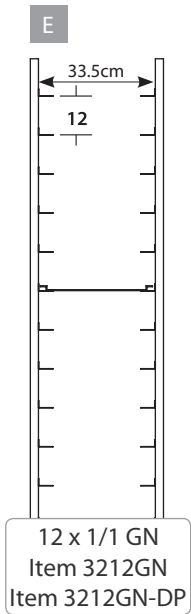
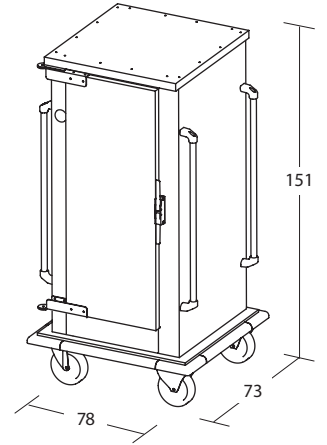
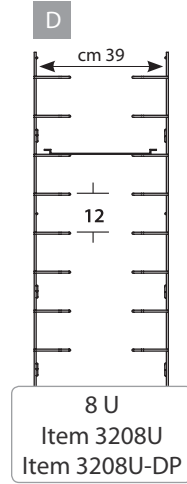
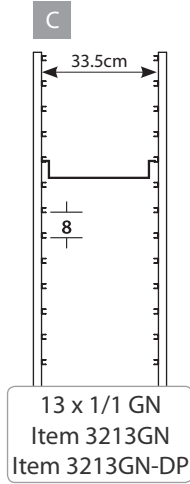
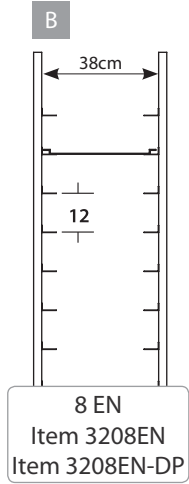
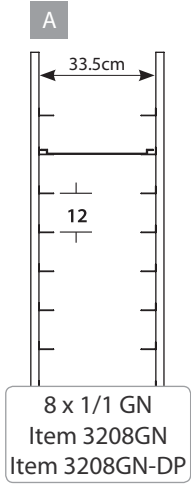
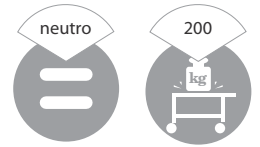
- Fully welded AISI 304 stainless steel sheet construction, brushed finish; single skin, or double skin insulated with expanded polyurethane panels fitted between the steel sheet walls (series DP)
- 1 double skin front door with rubber seal, opening to 270°
- Snap closure handle (lock available on request)
- Two push bars on both sides that can be used even with the doors open
- Internal compartment fitted with runners for pans and trays of different shapes depending on model
- Thermometer in the double skin version
- All round grey non marking rubber bumper
- Two fixed and two braked swivel castors, ø 16cm, with galvanized brackets; grey non marking rubber tread rolling on bearings. Resilient castors for uneven floors or outdoor use available on request



282

| Item | Loading capacity | Runners | Shelf spacing (cm) |  | Max dim. (cm) |
|-----------|------------------|---|--------------------|---|---------------|
| 3208GN | 8 1/1 GN |  | 12 | A | 78x73x151 |
| 3208EN | 8 EN |  | 12 | B | 78x73x151 |
| 3213GN | 13 1/1 GN |  | 8 | C | 78x73x151 |
| 3208U | 8 U | Universal | 12 | D | 78x73x151 |
| 3212GN | 12 1/1 GN |  | 12 | E | 78x73x191 |
| 3212EN | 12 EN |  | 12 | F | 78x73x191 |
| 3218 GN | 18 1/1 GN |  | 8 | G | 78x73x191 |
| 3212U | 12 U | Universal | 12 | H | 78x73x191 |
| 3208GN-DP | 8 1/1 GN |  | 12 | A | 78x73x151 |
| 3208EN-DP | 8 EN |  | 12 | B | 78x73x151 |
| 3213GN-DP | 13 1/1 GN |  | 8 | C | 78x73x151 |
| 3208U-DP | 8 U | Universal | 12 | D | 78x73x151 |
| 3212GN-DP | 12 1/1 GN |  | 12 | E | 78x73x191 |
| 3212EN-DP | 12 EN |  | 12 | F | 78x73x191 |
| 3218GN-DP | 18 1/1 GN |  | 8 | G | 78x73x191 |
| 3212U-DP | 12 U | Universal | 12 | H | 78x73x191 |

TRAY/PAN MOBILE CUPBOARDS - AMBIENT/INSULATED VERSION



283

| Options | Description | For item |
|-------------|---|----------|
| SE260 | 1 Set with 4 resilient castors (2 with brake) | All |
| Accessories | Description | For item |
| A0038 | - Closing handle with lock | All |
| A0170 | 1 1/1 GN stainless steel wire rack | All GN |



TRAY/PAN MOBILE CUPBOARDS - HEATED VERSION

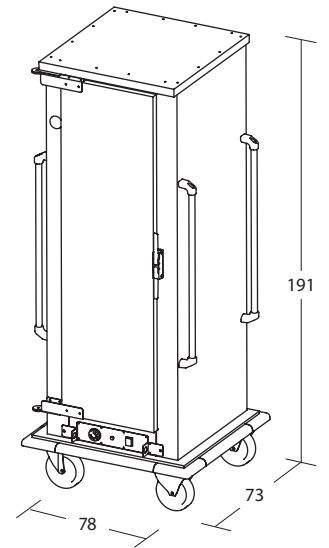
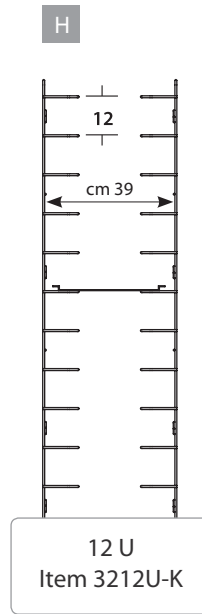
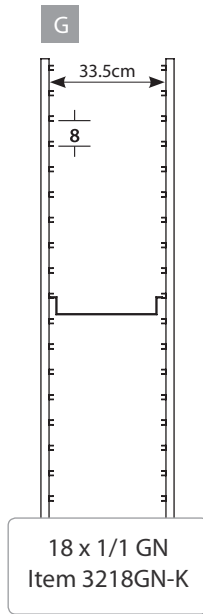
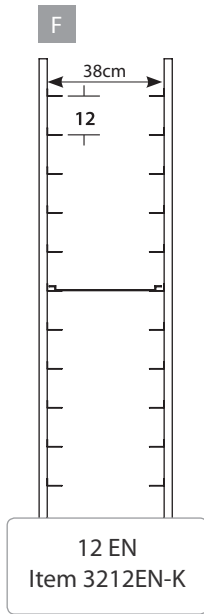
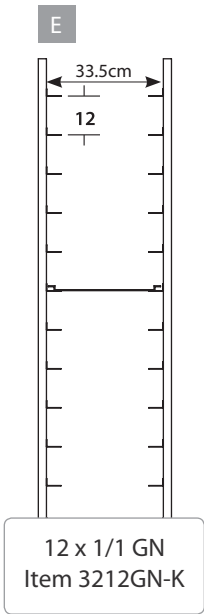
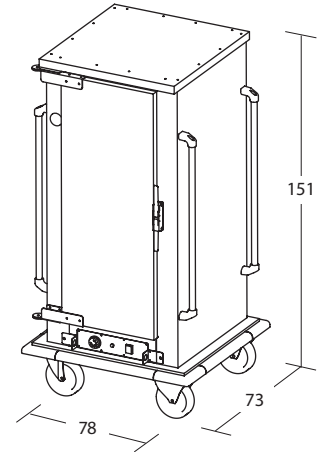
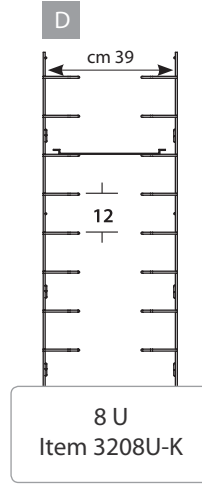
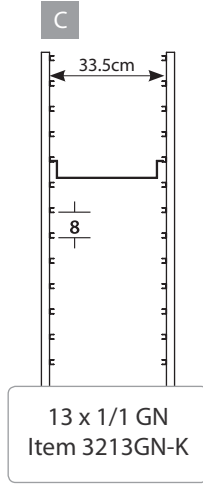
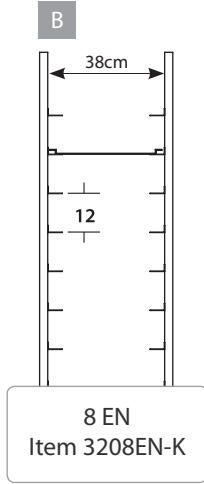
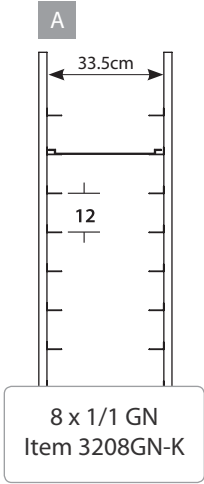
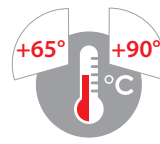
- Fully welded AISI 304 stainless steel sheet construction, brushed finish; double skin insulated with expanded polyurethane panels fitted between the steel sheet walls
- 1 double skin front door with rubber seal opening to 270°
- Snap closure handle (lock available on request)
- Two push bars on both sides that can be used even with the doors open
- Internal compartment fitted with runners for pans and trays of different shapes depending on model
- Thermometer
- Ventilated heating unit consisting of an AISI 304 stainless steel sheet casing containing a powered fan and heating element, built-in control panel fitted with ON/OFF switch with warning light, thermostat, operation warning light and coiled power cable at the back
- The heating unit can be pulled out for ease of maintenance (the cupboard can be washed with a water jet after disassembling the electrical parts)
- Mains supply: 230V, 50/60 Hz, single-phase; power 1600W
- Water trough to release moisture inside the cupboard
- All round grey non marking rubber bumper
- Two fixed and two braked swivel castors, \varnothing 16cm, with galvanized brackets; grey non marking rubber tread rolling on bearings. Resilient castors for uneven floors or outdoor use available on request



284

| Item | Loading capacity | Runners | Shelf spacing (cm) | Watt | 📷 | Max dim. (cm) |
|----------|------------------|-----------|--------------------|------|---|---------------|
| 3208GN-K | 8 1/1 GN | └ | 12 | 1600 | A | 78x73x151 |
| 3208EN-K | 8 EN | └ | 12 | 1600 | B | 78x73x151 |
| 3213GN-K | 13 1/1 GN | └ | 8 | 1600 | C | 78x73x151 |
| 3208U-K | 8 U | Universal | 12 | 1600 | D | 78x73x151 |
| 3212GN-K | 12 1/1 GN | └ | 12 | 1600 | E | 78x73x191 |
| 3212EN-K | 12 EN | └ | 12 | 1600 | F | 78x73x191 |
| 3218GN-K | 18 1/1 GN | └ | 8 | 1600 | G | 78x73x191 |
| 3212U-K | 12 U | Universal | 12 | 1600 | H | 78x73x191 |

TRAY/PAN MOBILE CUPBOARDS - HEATED VERSION



285

| Options | Description | For item |
|-------------|---|----------|
| SE260 | 1 Set with 4 resilient castors (2 with brake) | All |
| Accessories | Description | For item |
| A0038 | - Closing handle with lock | All |
| A0170 | 1 1/1 GN stainless steel wire rack | All GN |
















TRAY/PAN MOBILE CUPBOARDS - AMBIENT/INSULATED VERSION

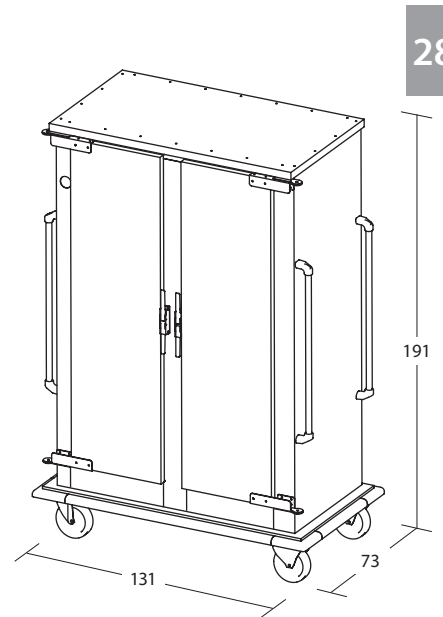
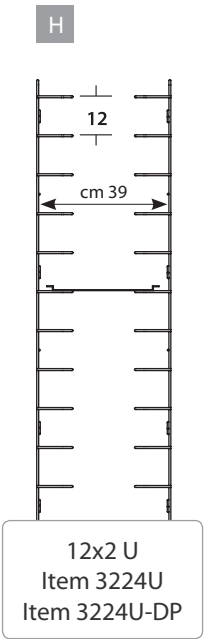
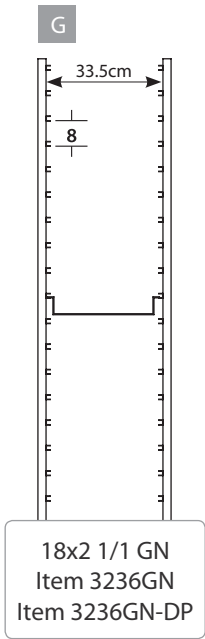
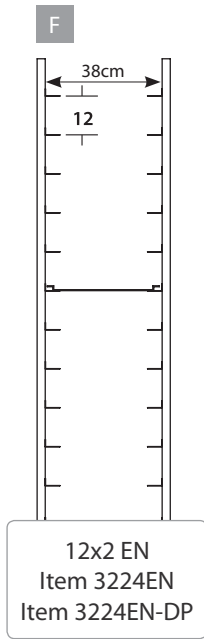
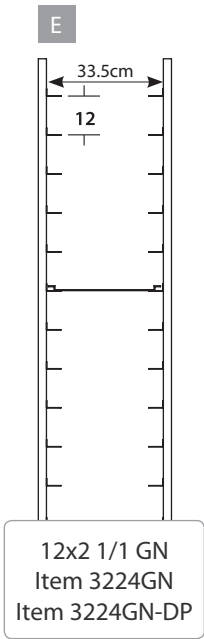
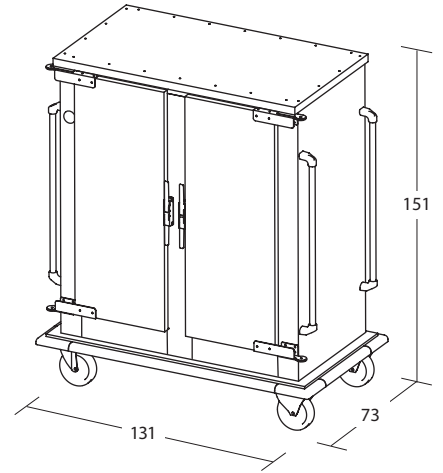
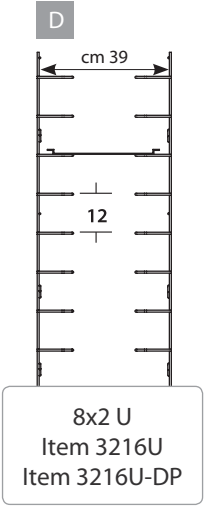
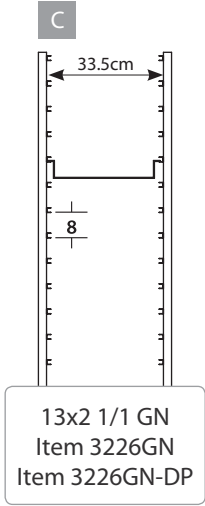
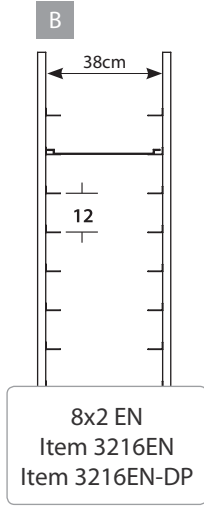
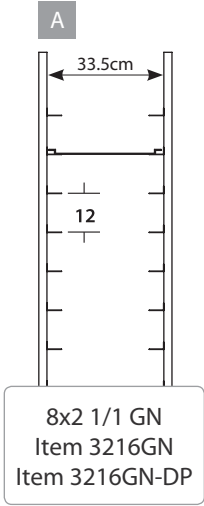
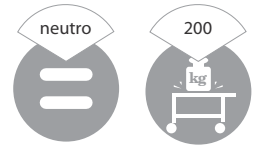
- Fully welded AISI 304 stainless steel sheet construction, brushed finish; single skin, or double skin insulated with expanded polyurethane panels fitted between the steel sheet walls (series DP)
- 2 double skin front doors with rubber seal, opening to 270°
- Snap closure handles (lock available on request)
- Two push bars on both sides that can be used even with the doors open
- Internal compartment fitted with runners for pans and trays of different shapes depending on model
- Thermometer in the double skin version
- All round grey non marking rubber bumper
- Two fixed and two braked swivel castors, ø 16cm, with galvanized brackets; grey non marking rubber tread rolling on bearings. Resilient castors for uneven floors or outdoor use available on request



286

| Item | Loading capacity | Runners | Shelf spacing (cm) |  | Max dim. (cm) |
|-----------|------------------|---|--------------------|---|---------------|
| 3216GN | 8x2 1/1 GN |  | 12 | A | 131x73x151 |
| 3216EN | 8x2 EN |  | 12 | B | 131x73x151 |
| 3226GN | 13x2 1/1 GN |  | 8 | C | 131x73x151 |
| 3216U | 8x2 U | Universal | 12 | D | 131x73x151 |
| 3224GN | 12x2 1/1 GN |  | 12 | E | 131x73x191 |
| 3224EN | 12x2 EN |  | 12 | F | 131x73x191 |
| 3236GN | 18x2 1/1 GN |  | 8 | G | 131x73x191 |
| 3224U | 12x2 U | Universal | 12 | H | 131x73x191 |
| 3216GN-DP | 8x2 1/1 GN |  | 12 | A | 131x73x151 |
| 3216EN-DP | 8x2 EN |  | 12 | B | 131x73x151 |
| 3226GN-DP | 13x2 1/1 GN |  | 8 | C | 131x73x151 |
| 3216U-DP | 8x2 U | Universal | 12 | D | 131x73x151 |
| 3224GN-DP | 12x2 1/1 GN |  | 12 | E | 131x73x191 |
| 3224EN-DP | 12x2 EN |  | 12 | F | 131x73x191 |
| 3236GN-DP | 18x2 1/1 GN |  | 8 | G | 131x73x191 |
| 3224U-DP | 12x2 U | Universal | 12 | H | 131x73x191 |

TRAY/PAN MOBILE CUPBOARDS - AMBIENT/INSULATED VERSION



287

| Options | Description | For item |
|---------|---|----------|
| SE260 | 1 Set with 4 resilient castors (2 with brake) | All |

| Accessories | Description | For item |
|-------------|------------------------------------|----------|
| A0038 | - Closing handle with lock | All |
| A0170 | 1 1/1 GN stainless steel wire rack | All GN |



TRAY/PAN MOBILE CUPBOARDS - HEATED VERSION

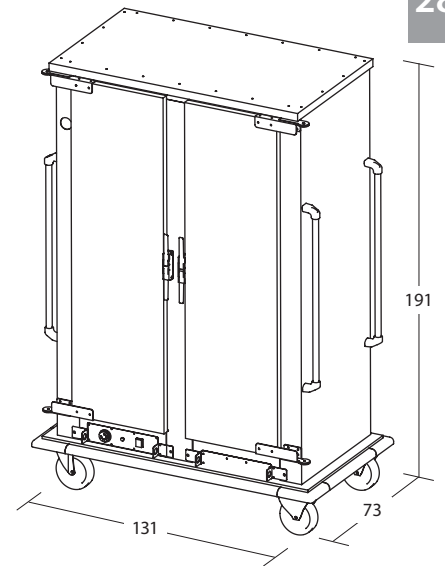
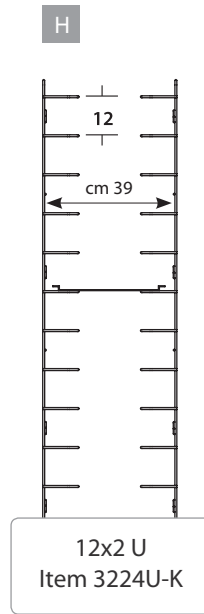
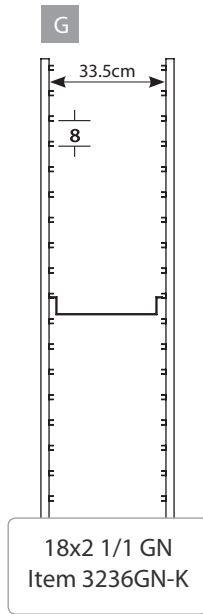
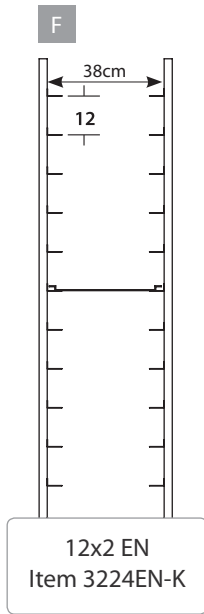
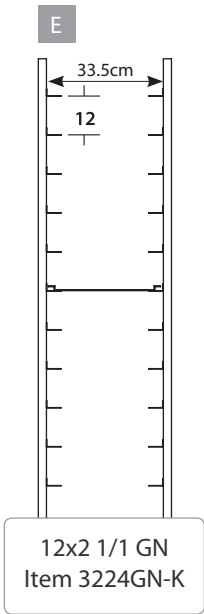
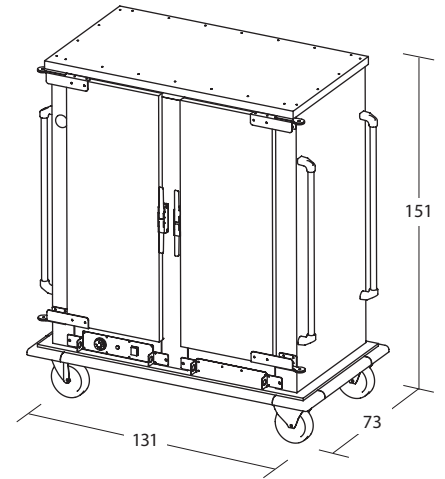
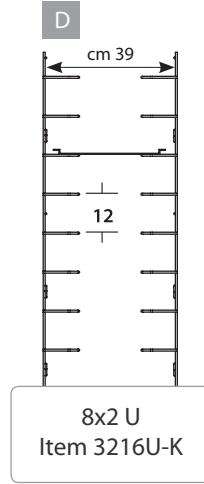
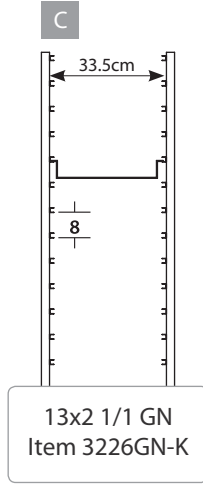
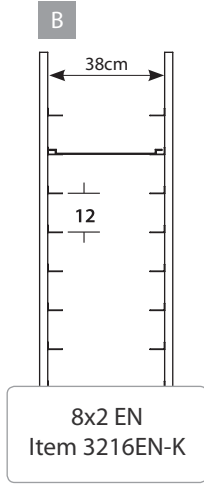
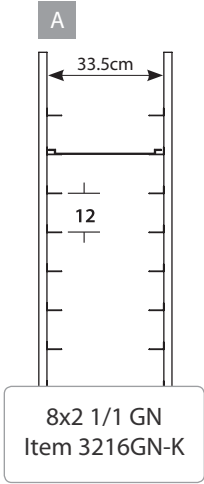
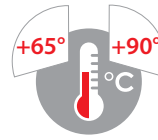
- Fully welded AISI 304 stainless steel sheet construction, brushed finish; double skin insulated with expanded polyurethane panels fitted between the steel sheet walls
- 2 double skin front doors with rubber seal opening to 270°
- Snap closure handles (lock available on request)
- Two push bars on both sides that can be used even with the doors open
- Internal compartment fitted with runners for pans and trays of different shapes depending on model
- Thermometer
- Ventilated heating unit consisting of an AISI 304 stainless steel sheet casing containing a powered fan and heating element, built-in control panel fitted with ON/OFF switch with warning light, thermostat, operation warning light and coiled power cable at the back
- The heating unit can be pulled out for ease of maintenance (the cupboard can be washed with a water jet after disassembling the electrical parts)
- Mains supply: 230V, 50/60 Hz, single-phase; power 1600W x 2
- Water trough to release moisture inside the cupboard
- All round grey non marking rubber bumper
- Two fixed and two braked swivel castors, ø 16cm, with galvanized brackets; grey non marking rubber tread rolling on bearings. Resilient castors for uneven floors or outdoor use available on request

288



| Item | Loading capacity | Runners | Shelf spacing (cm) | Watt | 📷 | Max dim. (cm) |
|----------|------------------|-----------|--------------------|------|---|---------------|
| 3216GN-K | 8x2 1/1 GN | └ | 12 | 3200 | A | 131x73x151 |
| 3216EN-K | 8x2 EN | └ | 12 | 3200 | B | 131x73x151 |
| 3226GN-K | 13x2 1/1 GN | └ | 8 | 3200 | C | 131x73x151 |
| 3216U-K | 8x2 U | Universal | 12 | 3200 | D | 131x73x151 |
| 3224GN-K | 12x2 1/1 GN | └ | 12 | 3200 | E | 131x73x191 |
| 3224EN-K | 12x2 EN | └ | 12 | 3200 | F | 131x73x191 |
| 3236GN-K | 18x2 1/1 GN | └ | 8 | 3200 | G | 131x73x191 |
| 3224U-K | 12x2 U | Universal | 12 | 3200 | H | 131x73x191 |

TRAY/PAN MOBILE CUPBOARDS - HEATED VERSION



289

| Options | Description | For item |
|---------|---|----------|
| SE260 | 1 Set with 4 resilient castors (2 with brake) | All |



| Accessories | Description | For item |
|-------------|----------------------------|----------|
| A0038 | - Closing handle with lock | All |

| | | |
|-------|------------------------------------|--------|
| A0170 | 1 1/1 GN stainless steel wire rack | All GN |
|-------|------------------------------------|--------|












TRAY/PAN MOBILE CUPBOARDS - AMBIENT/INSULATED VERSION

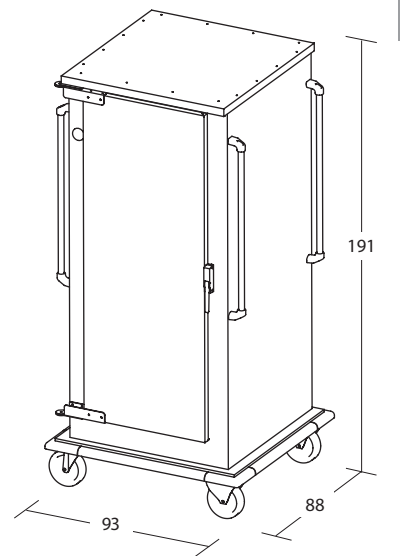
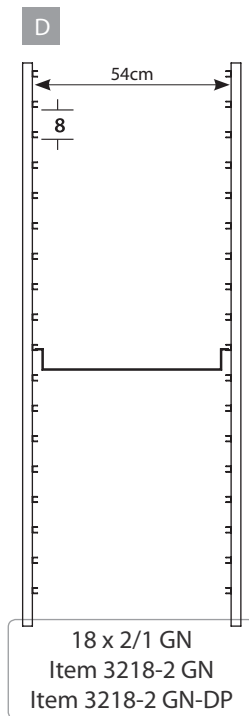
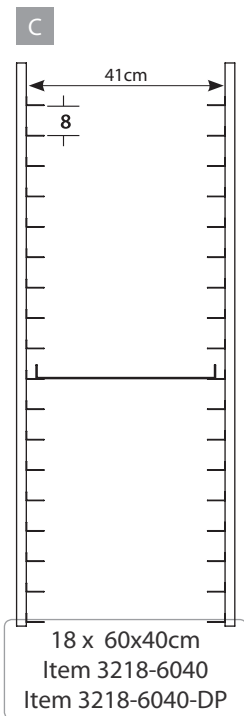
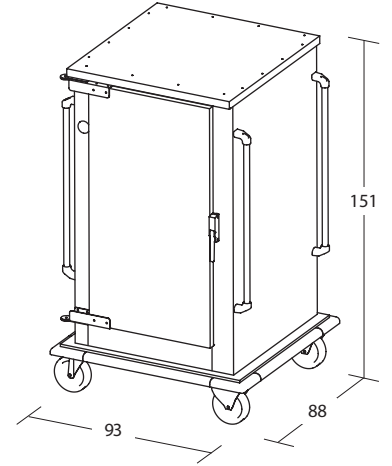
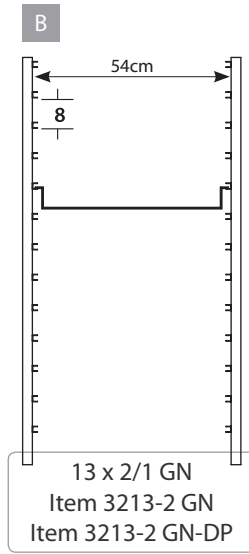
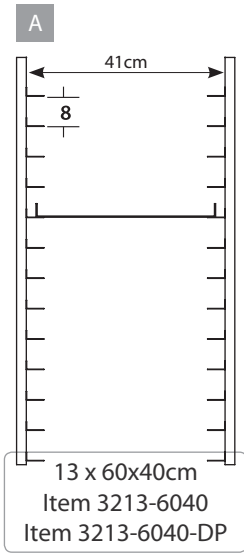
- Fully welded AISI 304 stainless steel sheet construction, brushed finish; single skin, or double skin insulated with expanded polyurethane panels fitted between the steel sheet walls (series DP)
- 1 double skin front door with rubber seal opening to 270°
- Snap closure handle (lock available on request)
- Two push bars on both sides that can be used even with the doors open
- Internal compartment fitted with runners for pans and trays of different shapes depending on model
- Thermometer in the double skin version
- All round grey non marking rubber bumper
- Two fixed and two braked swivel castors, ø 16cm, with galvanized brackets; grey non marking rubber tread rolling on bearings. Resilient castors for uneven floors or outdoor use available on request



290

| Item | Loading capacity | Runners | Shelf spacing (cm) |  | Max dim. (cm) |
|--------------|------------------|---|--------------------|---|---------------|
| 3213-6040 | 13 60x40cm |  | 8 | A | 93x88x151 |
| 3213-2GN | 13 2/1 GN |  | 8 | B | 93x88x151 |
| 3218-6040 | 18 60x40cm |  | 8 | C | 93x88x191 |
| 3218-2GN | 18 2/1 GN |  | 8 | D | 93x88x191 |
| 3213-6040-DP | 13 60x40cm |  | 8 | A | 93x88x151 |
| 3213-2GN-DP | 13 2/1 GN |  | 8 | B | 93x88x151 |
| 3218-6040-DP | 18 60x40cm |  | 8 | C | 93x88x191 |
| 3218-2GN-DP | 18 2/1 GN |  | 8 | D | 93x88x191 |

TRAY/PAN MOBILE CUPBOARDS - AMBIENT/INSULATED VERSION



291

| Options | Description | For item |
|-------------|---|----------|
| SE260 | 1 Set with 4 resilient castors (2 with brake) | All |
| Accessories | Description | For item |
| A0038 | - Closing handle with lock | All |
| A0171 | 1 2/1GN stainless steel wire rack | All GN |








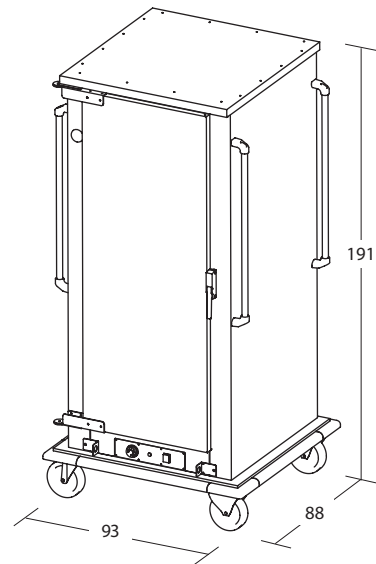
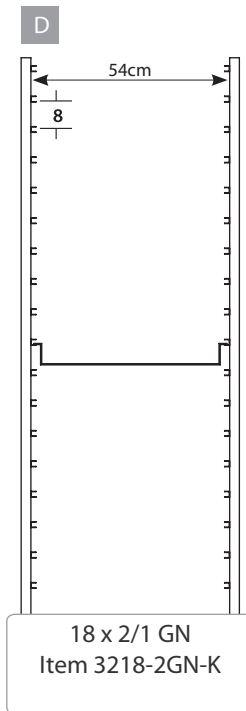
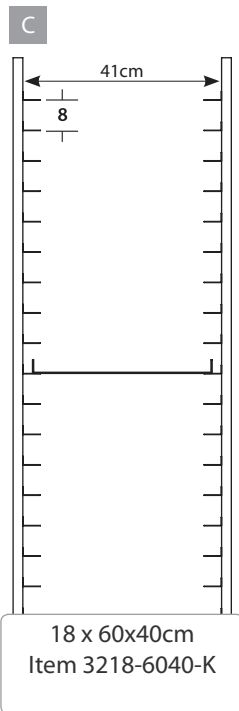
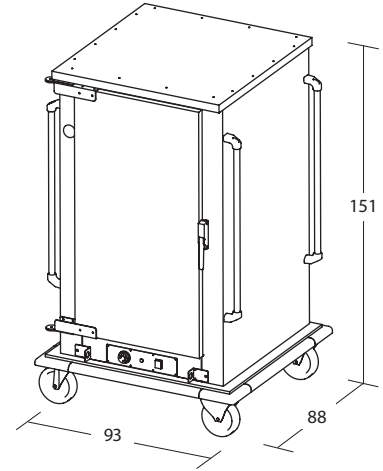
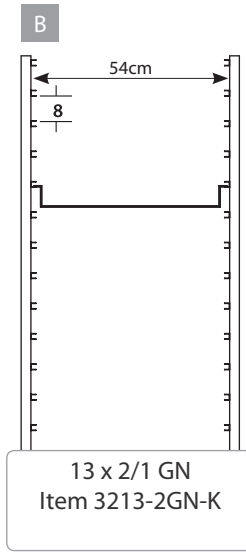
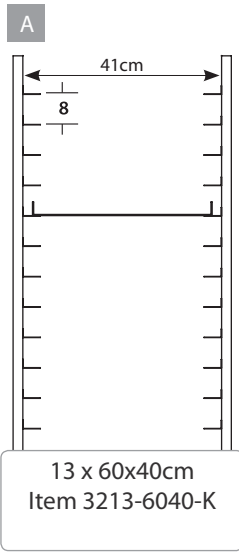
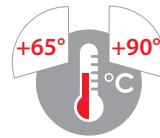
TRAY/PAN MOBILE CUPBOARDS - HEATED VERSION

- Fully welded AISI 304 stainless steel sheet construction, brushed finish; double skin insulated with expanded polyurethane panels fitted between the steel sheet walls
- 1 double skin front doors with rubber seal opening to 270°
- Snap closure handles (lock available on request)
- Two push bars on both sides that can be used even with the doors open
- Internal compartment fitted with runners for pans and trays of different shapes depending on model
- Thermometer
- Ventilated heating unit consisting of an AISI 304 stainless steel sheet casing containing a powered fan and heating element, built-in control panel fitted with ON/OFF switch with warning light, thermostat, operation warning light and coiled power cable at the back
- The heating unit can be pulled out for ease of maintenance (the cupboard can be washed with a water jet after disassembling the electrical parts)
- Mains supply: 230V, 50/60 Hz, single-phase; power 1600W
- Water container to release moisture inside the cupboard
- All round grey non marking rubber bumper
- Two fixed and two braked swivel castors, ø 16cm, with galvanized brackets; grey non marking rubber tread rolling on bearings. Resilient castors for uneven floors or outdoor use available on request



292

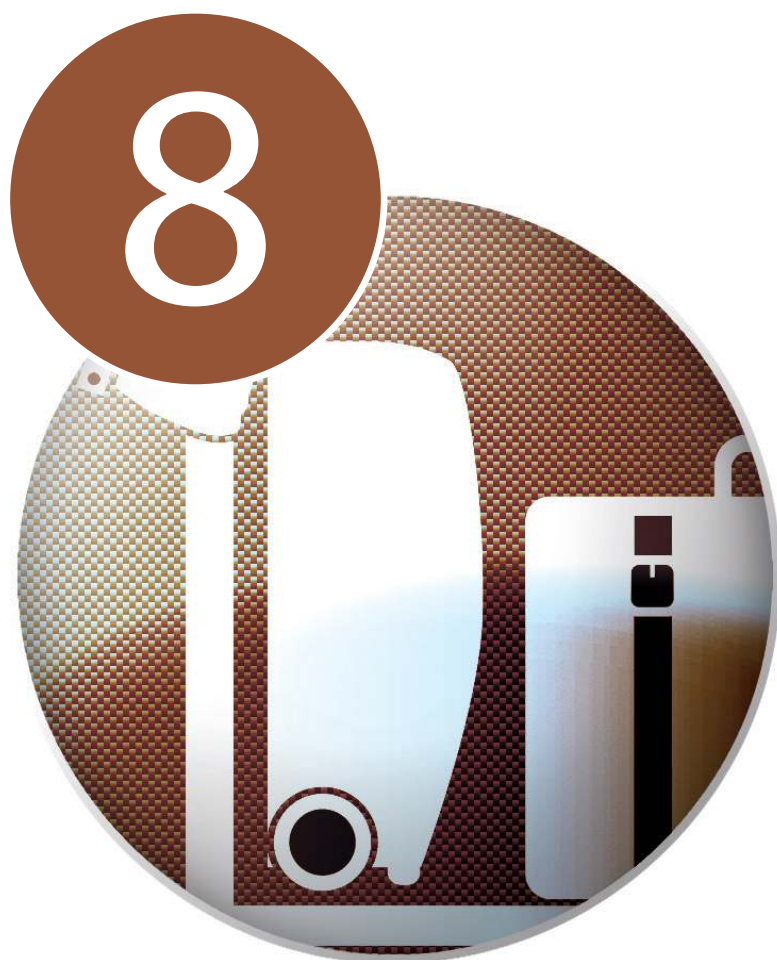
| Item | Loading capacity | Runners | Shelf spacing (cm) | Watt |  | Max dim. (cm) |
|-------------|------------------|---|--------------------|------|---|---------------|
| 3213-6040-K | 13 60x40cm |  | 8 | 1600 | A | 93x88x151 |
| 3213-2GN-K | 13 2/1 GN |  | 8 | 1600 | B | 93x88x151 |
| 3218-6040-K | 18 60x40cm |  | 8 | 1600 | C | 93x88x191 |
| 3218-2GN-K | 18 2/1 GN |  | 8 | 1600 | D | 93x88x191 |



| Options | Description | For item |
|-------------|---|----------|
| SE260 | 1 Set with 4 resilient castors (2 with brake) | All |
| Accessories | Description | For item |
| A0038 | - Closing handle with lock | All |
| A0171 | 1 2/1GN stainless steel wire rack | All GN |



LUGGAGE RACKS
AND CARTS,
BARRIER SYSTEM
POSTS AND SHOE
POLISHERS



BRASS-PLATED BIRDCAGE LUGGAGE CARTS

- Brass-plated steel tube frame protected by clear coat
- Carpeted deck - claret or black colour
- Full wrap-around rubber bumper
- Two fixed and two braked swivel castors, ø 16cm



Item 1950R

296

| Item | Carpet colour | Max dim. (cm) |
|-------|---------------|---------------|
| 1921N | Black | 79x59x189 |
| 1921R | Claret | 79x59x189 |
| 1920N | Black | 99x59x189 |
| 1920R | Claret | 99x59x189 |
| 1950N | Black | 108x76x189 |
| 1950R | Claret | 108x76x189 |

| Options | Description | For item |
|---------|--|----------|
| SE280 | 1 Set with 4 resilient castors (2 fixed and 2 swivel with brake) | All |
| SE310 | 2 Set with 4 pneumatic wheels (2 fixed and 2 swivel) to allow usage on uneven surfaces | All |





Item 1920R



Item 1921N

CHROME-PLATED BIRDCAGE LUGGAGE CARTS

- Chrome-plated steel tube frame
- Carpeted deck - claret or black colour
- Full wrap-around rubber bumper
- Two fixed and two braked swivel castors, ø 16cm

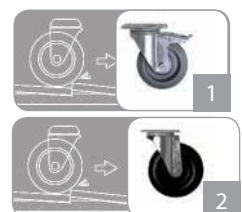
298



Item 1950CN

| Item | Carpet colour | Max dim. (cm) |
|--------|---------------|---------------|
| 1922CN | Black | 79x59x189 |
| 1922CR | Claret | 79x59x189 |
| 1920CN | Black | 99x59x189 |
| 1920CR | Claret | 99x59x189 |
| 1950CN | Black | 108x76x189 |
| 1950CR | Claret | 108x76x189 |

| Options | Description | For item |
|---------|--|----------|
| SE270 | 1 Set with 4 resilient castors (2 fixed and 2 swivel with brake) | All |
| SE310 | 2 Set with 4 pneumatic wheels (2 fixed and 2 swivel) to allow usage on uneven surfaces | All |





Item 1922CN + SE310



Item 1920CN

STAINLESS STEEL BIRDCAGE LUGGAGE CARTS

- Stainless steel tube frame with polished or satin finish
- Carpeted deck - claret or black colour
- Full wrap-around rubber bumper
- Two fixed and two braked swivel castors, ø 16cm

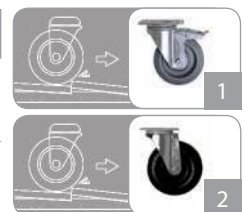


Item 1922XR

300

| Item | Description | Carpet colour | Max dim. (cm) |
|--------|--------------------------|---------------|---------------|
| 1922XR | Polished stainless steel | Claret | 79x59x189 |
| 1922XN | Polished stainless steel | Black | 79x59x189 |
| 1922SR | Satin stainless steel | Claret | 79x59x189 |
| 1922SN | Satin stainless steel | Black | 79x59x189 |
| 1920XR | Polished stainless steel | Claret | 99x59x189 |
| 1920XN | Polished stainless steel | Black | 99x59x189 |
| 1920SR | Satin stainless steel | Claret | 99x59x189 |
| 1920SN | Satin stainless steel | Black | 99x59x189 |
| 1950XR | Polished stainless steel | Claret | 108x76x189 |
| 1950XN | Polished stainless steel | Black | 108x76x189 |
| 1950SR | Satin stainless steel | Claret | 108x76x189 |
| 1950SN | Satin stainless steel | Black | 108x76x189 |

| Options | Description | For item |
|---------|--|----------|
| SE270 | 1 Set with 4 resilient castors (2 fixed and 2 swivel with brake) | All |
| SE310 | 2 Set with 4 pneumatic wheels (2 fixed and 2 swivel) to allow usage on uneven surfaces | All |





Item 1950XN



Item 1920XN

GARMENT RAILS

- Easily demountable chrome or brass plated steel frame
- 150cm-long garment rail
- Side extension bars (40cm each)
- Swivel castors



Item 1796

302



Item 1796D

Extension bar



| Item | Description | Max dim. (cm) |
|-------|---------------------|--|
| 1796 | Chrome-plated steel | 150x55x153 (with retracted extension bars) |
| 1796D | Brass-plated steel | 150x55x153 (with retracted extension bars) |

- Garment rail structure in chrome-plated steel tube
- Stainless steel deck
- Grey rubber bumper rings at corners
- Swivel castors, ø 14cm



Item 1795

303

| Item | Max dim. (cm) |
|------|---------------|
| 1795 | 115x58x156 |

| Options | Description | For item | |
|---------|-----------------------------|----------|---|
| S1250 | 1 Set with 2 braked castors | 1795 |  |

LUGGAGE HANDTRUCKS

- Chrome-plated steel tube frame
- Folding luggage support
- Stackable
- Swivel castors, ø 12.5cm

304



Item 1485

| Item | Max dim. (cm) |
|------|---------------|
| 1485 | 74x55x95 |

| Options | Description | For item |
|---------|---------------------------------------|----------|
| A00335 | 1 Set with 2 grey rubber bumper rings | 1485 |



- Chrome-plated steel tube frame
- Chrome wire basket
- Stackable
- Two fixed castors (ø 20cm) and two swivel castors (ø 12.5cm)



Item 1487

305

| Item | Max dim. (cm) |
|------|---------------|
| 1487 | 89x64x102 |

| Options | Description | For item |
|---------|---------------------------------------|----------|
| A00335 | 1 Set with 2 grey rubber bumper rings | 1487 |



LUGGAGE HANDTRUCKS

- Chrome-plated steel tube frame
- Folding luggage support
- Castors, ø 20cm



Item 1790

306

Item

Max dim. (cm)

1790

76x58x130



- Frame and handle in aluminum painted steel sheet tube protected by clear coat
- Carpeted deck
- Lateral retaining bars depending on model
- Two fixed and two swivel castors, ø 16cm



Item 1894.1



Item 1894.2



Item 1894.3

| Item | Retaining bars | Max dim. (cm) |
|--------|----------------|---------------|
| 1894.1 | no | 144x66x95 |
| 1894.2 | 1 pair | 144x66x95 |
| 1894.3 | 2 pairs | 144x66x95 |

| Options | Description | For item |
|---------|--|----------|
| S1270 | 1 Set with 2 braked castors | All |
| SE310 | 2 Set with 4 pneumatic wheels (2 fixed and 2 swivel) to allow usage on uneven surfaces | All |



WOODEN LUGGAGE RACKS

- Folding wood structure - various colours available depending on models
- With or without back guard
- Removable black PVC straps



Item 1460S



Item 1460



Item 1461S



Item 1461

| Item | Wood finish | Back guard | Max dim. (cm) |
|-------|--------------|------------|---------------|
| 1460 | Dark walnut | Yes | 48x48x58 |
| 1460S | Dark walnut | No | 48x48x53 |
| 1461 | Natural wood | Yes | 48x48x58 |
| 1461S | Natural wood | No | 48x48x53 |

- Folding painted wood structure - various colours available depending on models
- With or without back guard
- Removable black PVC straps



Item 1466C



Item 1468C



Item 1466



Item 1468

| Item | Wood finish | Back guard | Max dim. (cm) |
|-------|---------------|------------|---------------|
| 1466 | Wenge stained | No | 65x47x57 |
| 1466C | Natural wood | No | 65x47x57 |
| 1468 | Wenge stained | Yes | 65x47x68 |
| 1468C | Natural wood | Yes | 65x47x68 |

STEEL LUGGAGE RACKS

- Chrome or brass-plated tubular steel frame
- ø 2cm or 2.5cm - depending on model
- Without back guard
- Rubber feet
- Black PVC straps



Item 1755G



Item 1755P



Item 1756G



Item 1756P

| Item | Description | Tube cross-section (cm) | Max dim. (cm) |
|-------|---------------|-------------------------|---------------|
| 1755G | Chrome-plated | 2.5 | 68x43x51 |
| 1755P | Chrome-plated | 2 | 56x38x44 |
| 1756G | Brass-plated | 2.5 | 68x43x51 |
| 1756P | Brass-plated | 2 | 56x38x44 |

- Chrome or brass-plated tubular steel frame
- ø 2cm or 2.5cm - depending on model
- With back guard
- Rubber feet
- Black PVC straps



Item 1750G



Item 1750P



Item 1751G



Item 1751P

| Item | Description | Tube cross-section (cm) | Max dim. (cm) |
|-------|---------------|-------------------------|---------------|
| 1750G | Chrome-plated | 2.5 | 68x49x72 |
| 1750P | Chrome-plated | 2 | 56x40x58 |
| 1751G | Brass-plated | 2.5 | 68x49x72 |
| 1751P | Brass-plated | 2 | 56x40x58 |

POSTS FOR ROPE BARRIER SYSTEMS

- Post in polished stainless steel or brass-plated, 60mm ø
- Fastening ring to attach rope hooks in any direction
- Round ballasted base
- Suitable for sign holders
- Synthetic braided rope - various colours available
- Max recommended rope length: 1.5m.



Item 1907



Item 1913

Item 1914



312

| Item | Description | Colour/Finish | Max dim. (cm) |
|-------|------------------------------------|-----------------|---------------|
| 1913 | Post | Stainless steel | Ø 31x 94 |
| 1914 | Post | Brass-plated | Ø 31 x94 |
| 1909 | Vertical A4 portrait sign holder | Black | |
| 1907 | Horizontal A4 portrait sign holder | Black | |
| A0202 | Rope per metre | Claret | Ø 3 |
| A0204 | Rope per metre | Gold | Ø 3 |
| A0206 | Rope per metre | Green | Ø 3 |
| A0208 | Rope per metre | Blue | Ø 3 |
| A0213 | Snap rope hook | Stainless steel | |
| A0214 | Snap rope hook | Brass-plated | |

- Post in polished stainless steel or or black lacquer - 50mm ø
- Round ballasted base
- 2m-long retractable strap
- Suitable for sign holders



Item 1908



Item 1906XR



Item 1905XR

Item 1905R

| Item | Description | Max dim. (cm) |
|--------|--|---------------|
| 1905 | Black post - blue strap | Ø 31x 100 |
| 1905R | Black post - red strap | Ø 31x 100 |
| 1905X | Stainless steel post - blue strap | Ø 31x 100 |
| 1905XR | Stainless steel post - red strap | Ø 31x 100 |
| 1906XB | Stainless steel wall fittings - blue strap | |
| 1906XR | Stainless steel wall fittings - red strap | |
| 1906NB | Black lacquer wall fittings - blue strap | |
| 1906NR | Black lacquer wall fittings - red strap | |
| 1908 | Vertical A4 sign holder, stainless steel frame | |

- Epoxy powder coated steel frame
- Grip handle
- ON/OFF button with electronic timer for delayed stopping
- Cotton and horsehair brushes
- Single-phase electric motor (230V - 50Hz, 150W)
- Rubber mat
- Polish dispenser
- Adjustable feet



Item 9023

314

| Item | Max dim. (cm) |
|------|---------------|
| 9023 | 62x30x83 |

| Accessories | Description |
|-------------|-----------------------------------|
| 9026 | 1l neutral polish (min 6l bottle) |





ROOM SERVICE TABLES
AND HOUSEKEEPING
TROLLEYS

ROOM SERVICE TABLES

- Stainless steel construction, brushed finish
- Round melamine-faced top with all round rubber bumper and folding leaves
- The top folds vertically to nest the tables together and save space
- Swivel castors, \varnothing 9.5cm, 2 with brake

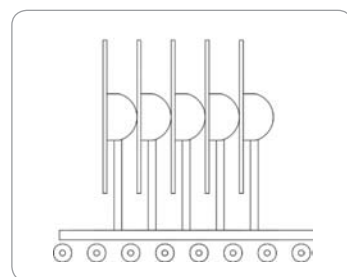
Cherry wood



Item 1104-80

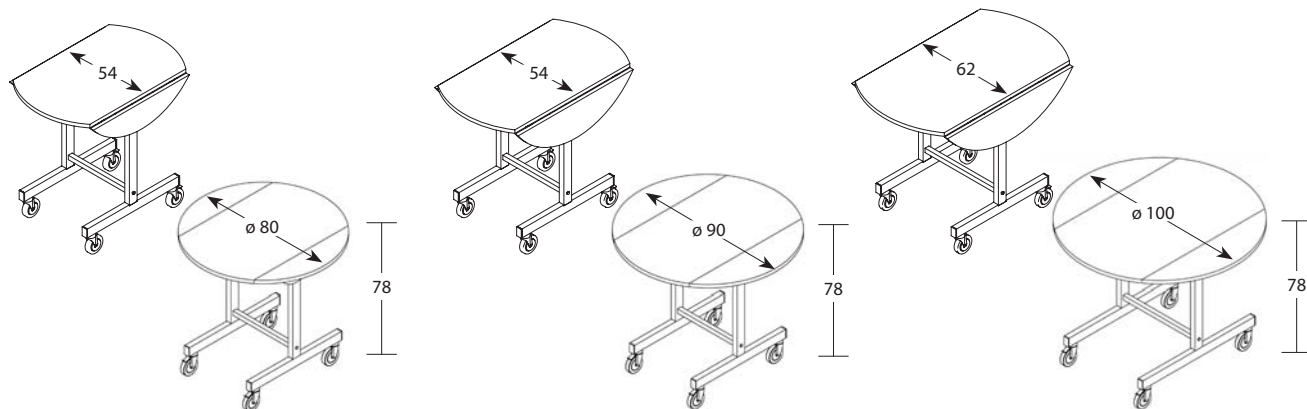


Foldable



Nestable

318



| Item | Top shelf dim. (cm) | Max dim. (cm) |
|----------|---------------------|----------------------|
| 1104-80 | \varnothing 80 | \varnothing 80x78 |
| 1104-90 | \varnothing 90 | \varnothing 90x78 |
| 1104-100 | \varnothing 100 | \varnothing 100x78 |

| Item | Description | For item |
|-------|--------------------------|------------------|
| A0001 | 1 Insulated food carrier | 1104-100 |
| A0003 | 1 Insulated food carrier | 1104-80, 1104-90 |



1

- Stainless steel construction, brushed finish
- Square melamine-faced top with all round rubber bumper and folding leaves
- The top folds vertically to nest the tables together and save space
- Swivel castors, \varnothing 9.5cm, 2 with brake

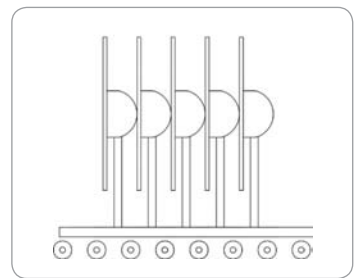
Cherry wood



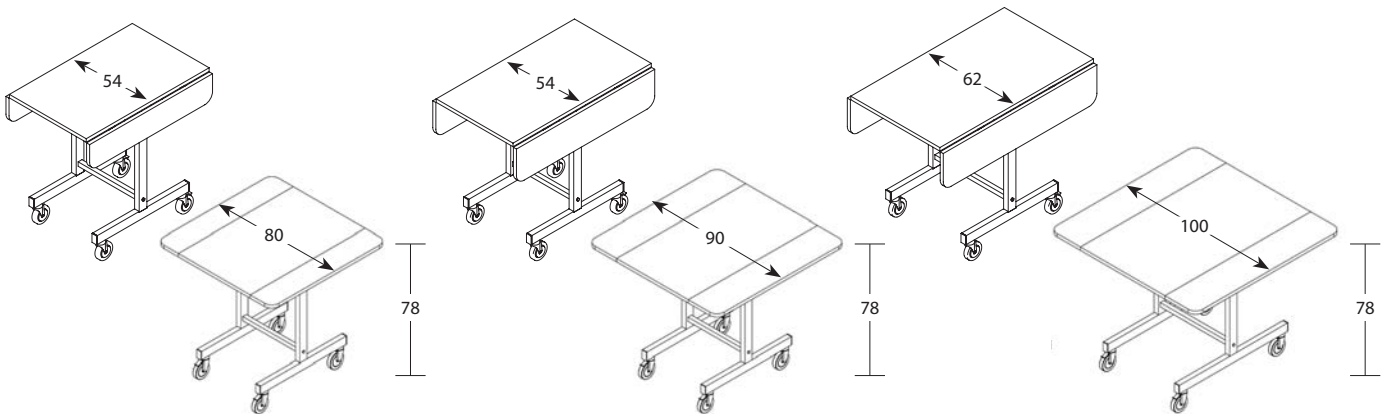
Item 1104-Q80



Foldable



Nestable



| Item | Top shelf dim. (cm) | Max dim. (cm) |
|-----------|---------------------|---------------|
| 1104-Q80 | 80x80 | 80x80x78 |
| 1104-Q90 | 90x90 | 90x90x78 |
| 1104-Q100 | 100x100 | 100x100x78 |

| Item | Description | For item |
|-------|--------------------------|--------------------|
| A0001 | 1 Insulated food carrier | 1104-Q100 |
| A0003 | 1 Insulated food carrier | 1104-Q80, 1104-Q90 |



ROOM SERVICE TABLES

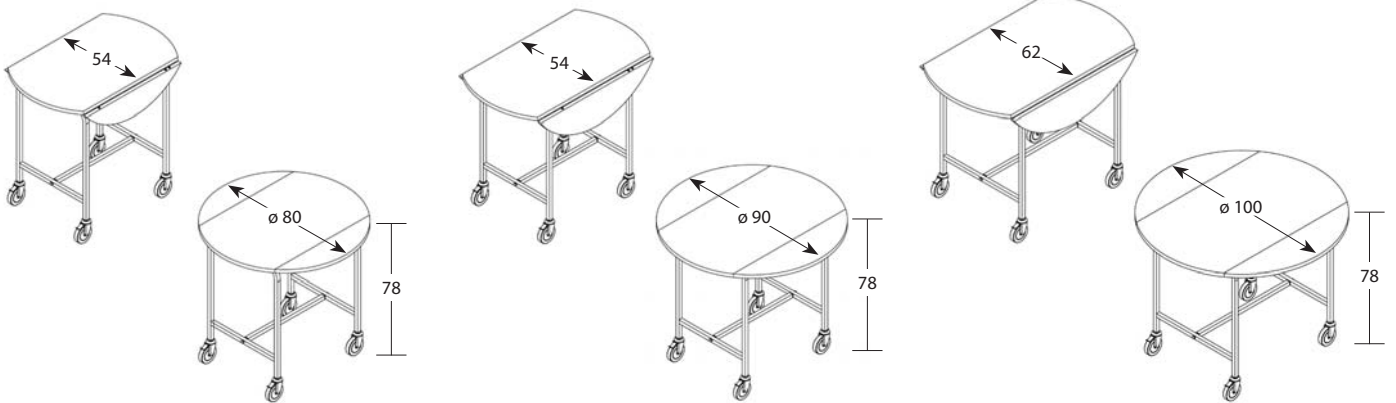
- Stainless steel 2x2cm square tube frame
- Round melamine-faced top with all round rubber bumper and folding leaves
- Swivel castors, \varnothing 9.5cm, 2 with brake

Cherry wood



Item 1102-80

320



| Item | Top shelf dim. (cm) | Max dim. (cm) |
|----------|---------------------|----------------------|
| 1102-80 | \varnothing 80 | \varnothing 80x78 |
| 1102-90 | \varnothing 90 | \varnothing 90x78 |
| 1102-100 | \varnothing 100 | \varnothing 100x78 |

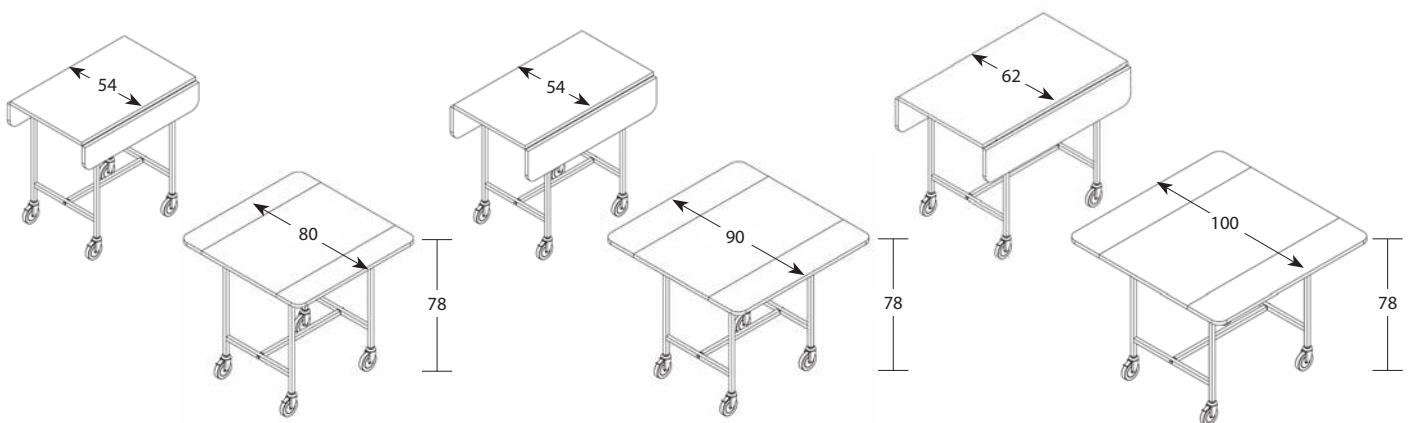
- Stainless steel 2x2cm square tube frame
- Square melamine-faced top with all round rubber bumper and folding leaves
- Swivel castors, \varnothing 9.5cm, 2 with brake

Cherry wood



Item 1102-Q80

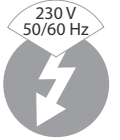
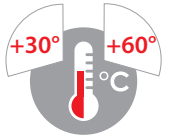
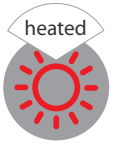
321



| Item | Top shelf dim. (cm) | Max dim. (cm) |
|-----------|---------------------|---------------|
| 1102-Q80 | 80x80 | 80x80x78 |
| 1102-Q90 | 90x90 | 90x90x78 |
| 1102-Q100 | 100x100 | 100x100x78 |

INSULATED FOOD CARRIERS

- AISI 304 stainless steel sheet construction, brushed finish
- Can take plates with a max diameter of 32cm
- PVC handle to transport the carrier
- Front hinged door, opening angle 180°
- Opening handle with snap closure
- Intermediate stainless steel shelf
- ON/OFF switch with warning light
- Thermostatic control from +30 °C to +90 °C
- Removable power cable
- Mains voltage: 230V, 50/60 Hz, single-phase



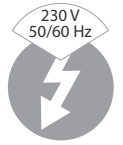
Item A0003



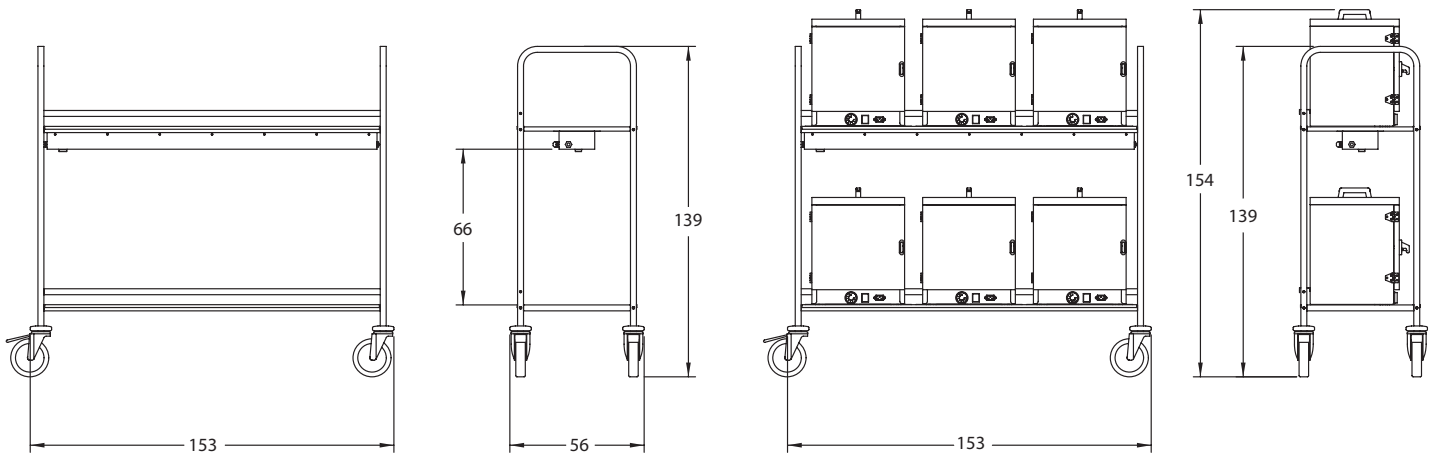
322

| Item | For item | Max dim. (cm) |
|-------|--------------------------------------|---------------|
| A0001 | 1104-100, 1104-Q100 | 39x46x51 |
| A0003 | 1104-80, 1104-90, 1104-Q80, 1104-Q90 | 45x46x51 |

- AISI 304 stainless steel tube construction with stainless steel sheet shelves
- Max capacity: 6 insulated food carriers (items A0001 - A0003)
- Max absorbed power 2400W
- Mains voltage: 230V, 50/60 Hz, single-phase
- Grey rubber ring buffers
- Swivel castors, \varnothing 12.5cm, 2 with brake



Item 1150 + (6xA0001-A0003)



| Item | Power | Max dim. (cm) |
|------|----------|---------------|
| 1150 | 6 x 400W | 153x56x139 |

MINI BAR RESTOCKING TROLLEYS

- Stainless steel 2x2cm square tube frame
- Supplied with 3 removable PVC racks fitted with inserts to prevent tipping for no. 40 bottles – max ø 6.5cm
- Grey rubber ring buffers
- Swivel castors, ø 12.5cm



Item 2050 + S1200

324

| Item | Max dim. (cm) |
|------|---------------|
| 2050 | 73x47x102 |

| Options | Description | For item |
|---------|-----------------------------|----------|
| S1200 | 1 Set with 2 braked castors | 2050 |



- Grey epoxy powder painted steel sheet construction comprising a base and three intermediate shelves adjustable in height
- Detachable PVC bin for empty bottles
- Push handle
- 180° opening doors with lock
- Base fitted with all round grey non marking rubber bumper
- Two fixed and two swivel castors, ø 16cm



Item 2012 + S1270

Item 2012 + S1270

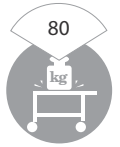
| Item | Max dim. (cm) |
|------|---------------|
| 2012 | 100x62x119 |

| Options | Description | For item |
|---------|---|----------|
| S1270 | 1 Set with 2 braked castors | 2012 |
| SE270 | 2 Set with 4 resilient castors (2 with brake) | 2012 |



STAINLESS STEEL CHAMBERMAID TROLLEYS - SERIES 4400

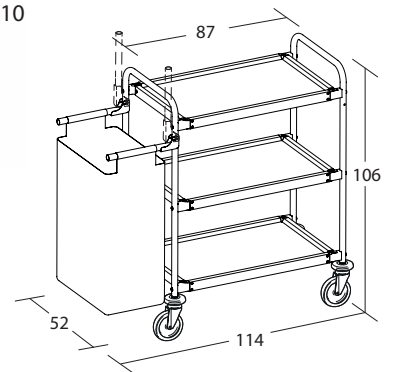
- Stainless steel 2.5cm tube construction
- Sheet steel shelves plastic coated, wood effect finish
- No sharp edges
- Pressed aluminium corner joints to fix the tiers to the frame with rounded inner angles
- 1 folding bag holder with canvas bag for dirty linen (Item 4402)
- 2 folding bag holders with canvas bag for dirty linen (Item 4404)
- Grey rubber ring buffers
- Swivel castors, ø 12.5cm



Walnut



Item 4402 + S1210



326

| Item | Description | Max dim. (cm) |
|------|--|---------------|
| 4402 | 3 tiers - 70x45 cm + 1 folding bag holder with canvas bag for dirty linen | 87-114x52x106 |
| 4404 | 4 tiers - 70x45 cm + 2 folding bag holders with canvas bag for dirty linen | 87-140x52x130 |

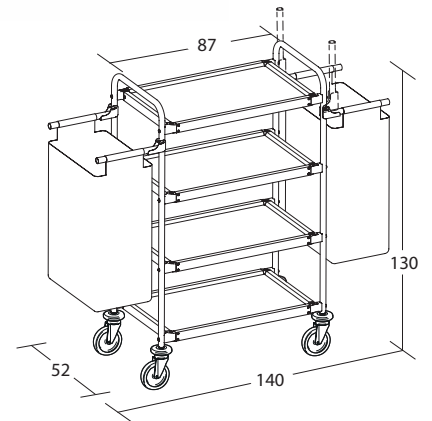
| Options | Description | For item |
|---------|---|----------|
| S1210 | 1 Set with 2 braked castors | All |
| SE210 | 2 Set with 4 resilient castors (2 with brake) | All |





Item 4404 + S1210

327



| Accessories | | Description | For item |
|-------------|---|----------------------------|----------|
| A0079 | 3 | PVC tray | All |
| R0040 | - | Canvas bag for dirty linen | 4402 |
| R0010 | - | Canvas bag for dirty linen | 4404 |



CHAMBERMAID TROLLEYS WITH MELAMINE-FACED SHELVES

- Stainless steel 2x2cm square tube frame
- Melamine-faced shelves
- Folding bag holder with canvas bag for dirty linen
- Grey rubber bumper
- Swivel castors, ø 12.5cm

Cherry wood



Item 4410 + S1200



Item 4415 + S1200

328

| Item | Description | Max dim. (cm) |
|------|--|----------------|
| 4410 | 4 tiers + 1 folding bag holder with canvas bag for dirty linen | 101-140x52x137 |
| 4415 | 4 tiers + 1 folding bag holder with canvas bag for dirty linen + 1 folding waste bag holder with lid and dividing panel | 101-140x52x137 |

| Options | Description | For item |
|---------|---|----------|
| S1200 | 1 Set with 2 braked castors | All |
| SE200 | 2 Set with 4 resilient castors (2 with brake) | All |

| Accessories | Description | For item |
|-------------|----------------------------|----------|
| R0010 | Canvas bag for dirty linen | All |



- Stainless steel 2x2cm square tube frame
- Melamine-faced shelves
- 2 folding bag holders with canvas bag for dirty linen
- Grey rubber ring buffers
- Swivel castors, ø 12.5cm

Cherry wood



Item 4430.90 + S1200

| Item | Description | Max dim. (cm) |
|---------|--|----------------|
| 4430.70 | 4 x 70cm tiers + 2 folding bag holders with canvas bag for dirty linen | 81-120x52x137 |
| 4430.90 | 4 x 90cm tiers + 2 folding bag holders with canvas bag for dirty linen | 101-140x52x137 |

| Options | Description | For item |
|---------|---|----------|
| S1200 | 1 Set with 2 braked castors | All |
| SE200 | 2 Set with 4 resilient castors (2 with brake) | All |

| Accessories | Description | For item |
|-------------|----------------------------|----------|
| R0010 | Canvas bag for dirty linen | All |



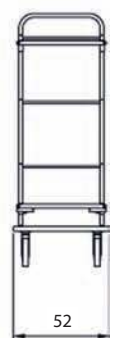
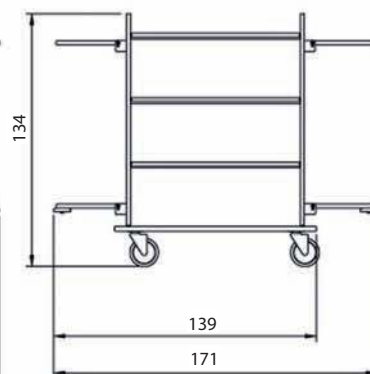
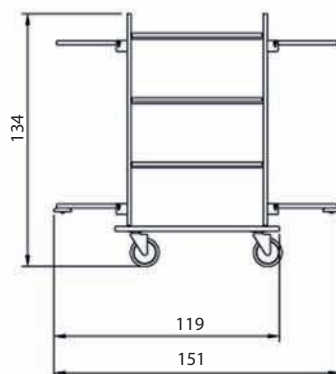
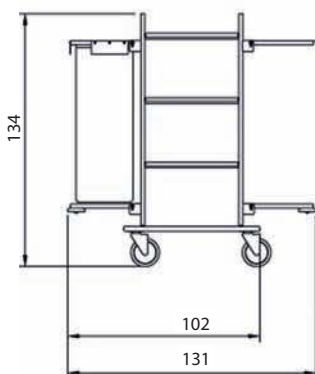
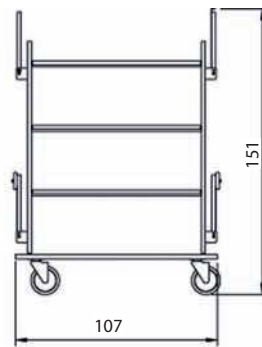
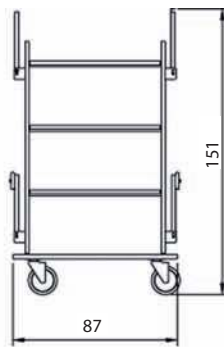
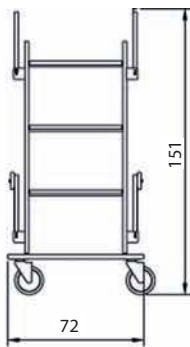
PRESENTATION OF HOUSEKEEPING TROLLEYS WITH MELAMINE-FACED SHELVES

A modular series of housekeeping trolleys with three different base sizes - 50, 70, 90cm length - and the common feature of having four shelves for clean linen, the possibility to mount side panels and to add a rear panel.

For dirty linen, a bag holder ring with canvas bag is fitted as standard and can be folded to save space. To collect waste, a folding waste bag holder accessory is available and is fitted with lid, dividing panel and small bag support shelf. Another folding bag holder with canvas linen bag or a folding waste bag holder with lid and bag support shelf can be added to any model in the series. For 70 or 90cm-long trolleys a top loading tray is available, which can be either open or closed with a lid fitted with a lock.

The tubular stainless steel structure sits on a cherry wood-stained melamine base, with grey rubber bumper, to which the 15 cm-diameter plate-mounted castors are fitted, including two with optional brake, which guarantee excellent resistance to weight and smooth sliding.

330





Item A41
Folding bag holder ring with
canvas bag for dirty linen



Item A45-90
Top loading compartmental tray with lid and
lock; also available without lid



Item A43
Folding waste bag holder with
lid, dividing panel and small
bag support shelf



Item 4492 + A43 + A45-90 + S1240

HOUSEKEEPING TROLLEYS WITH MELAMINE-FACED SHELVES

- Stainless steel 2x2cm square tube frame
- Melamine-faced shelves and side panels
- Folding bag holder with canvas bag for dirty linen
- Base fitted with all round grey non marking rubber bumper
- Swivel castors, ø cm 15

Cherry wood



Item 4450 + S1240



Item 4491

332

| Item | Description | Max dim. (cm) |
|------|---|---------------|
| 4450 | 72cm base + 1 folding bag holder with canvas bag | 72x52x134 |
| 4451 | 72cm base + side panels + 1 folding bag holder with canvas bag | 72x52x134 |
| 4452 | 72cm base + panels on three sides + 1 folding bag holder with canvas bag | 72x52x134 |
| 4470 | 87cm base + 1 folding bag holder with canvas bag | 87x52x134 |
| 4471 | 87cm base + side panels + 1 folding bag holder with canvas bag | 87x52x134 |
| 4472 | 87cm base + panels on three sides + 1 folding bag holder with canvas bag | 87x52x134 |
| 4490 | 107cm base + 1 folding bag holder with canvas bag | 107x52x134 |
| 4491 | 107cm base + side panels + 1 folding bag holder with canvas bag | 107x52x134 |
| 4492 | 107cm base + panels on three sides + 1 folding bag holder with canvas bag | 107x52x134 |

| Options | Description | For item |
|---------|---|----------------------------------|
| S1240 | 1 Set with 2 braked castors | All |
| SE240 | 2 Set with 4 resilient castors (2 with brake) | 4470-4471-4472 4490-4491-4492 |





Item 4451 + S1240



Item 4452 + S1240



Item 4471 + S1240



Item 4491 + S1240

| Accessories | Description | For item |
|-------------|---|--------------------|
| A41 | Folding bag holder with canvas bag for dirty linen | All |
| A42 | Folding bag support | All |
| A43 | Folding waste bag holder with lid and small bag support shelf | All |
| A44-70 | Top loading compartmental tray, 70cm | 4470 - 4471 - 4472 |
| A44-90 | Top loading compartmental tray, 90cm | 4490 - 4491 - 4492 |
| A45-70 | Top loading compartmental tray with lid and lock, 70cm | 4470 - 4471 - 4472 |
| A45-90 | Top loading compartmental tray with lid and lock, 90cm | 4490 - 4491 - 4492 |
| R0015 | Canvas bag for dirty linen | All |

PRESENTATION OF HOUSEKEEPING TROLLEYS WITH CUPBOARD

This trolley was created for clearing rooms and was designed to offer maximum versatility and sturdiness. Numerous special accessories complete the piece and make it suitable for various uses.

The fully-welded sheet steel structure finished with epoxy powder paint makes this a solid and sturdy piece that can cope with particularly difficult work conditions, such as service lifts that are not perfectly levelled, uneven external paving, etc.

Anchored to the base are 16 cm-diameter castors - two fixed and two swivel castors with an optional brake. Alternatively, resilient castors or wheels with pneumatic tyres can be fitted and are ideal for outdoor use. The edge bumpers protect the trolleys from knocks and do not ruin furnishings.

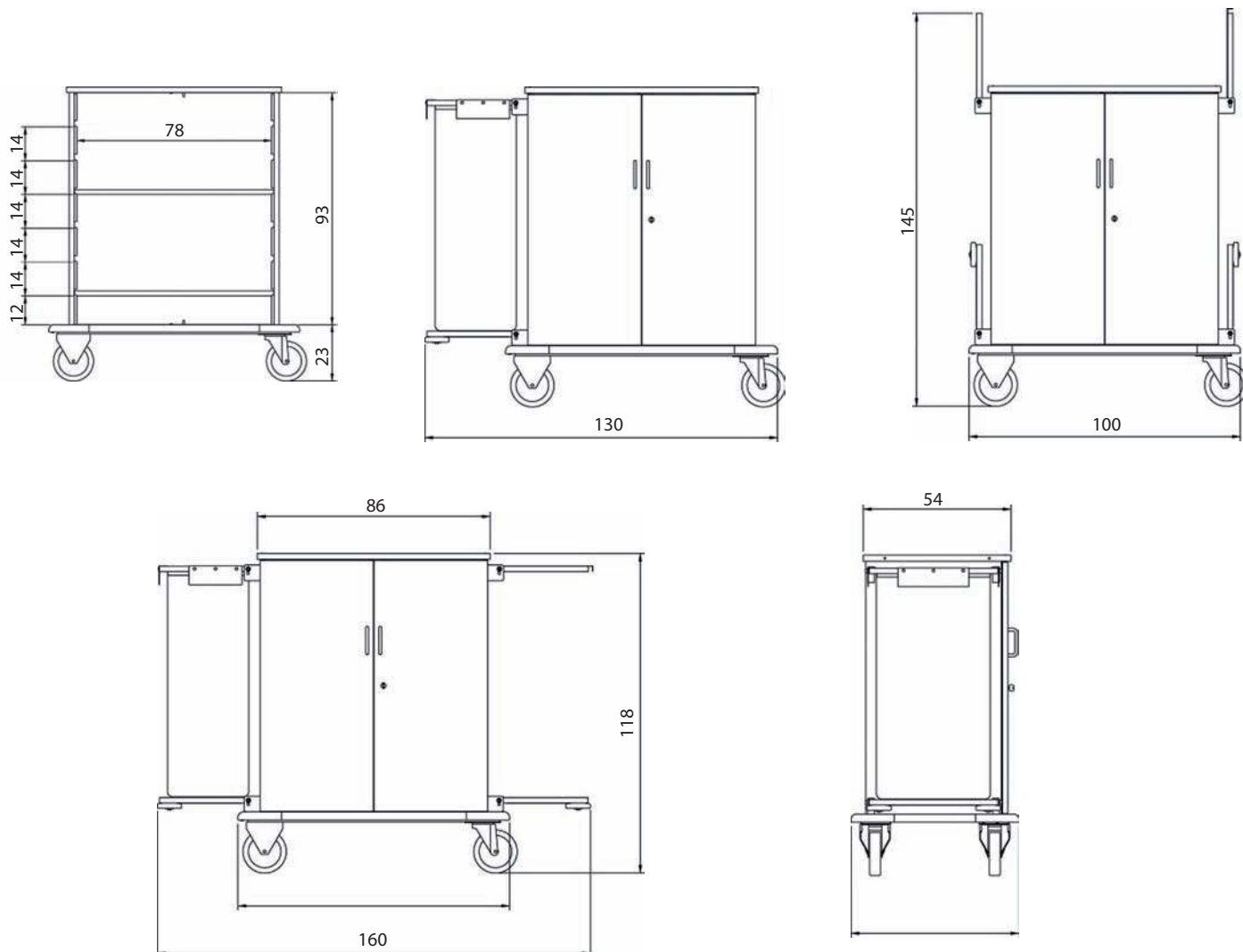
As well as a base panel, the internal compartment has two height-adjustable shelves and if requested, can be fitted with lockable doors.

External accessories (dirty linen bag support, waste bag support) include a small lower panel (optional for linen bag holder) that, when open in the working position, extends protection to furnishings thanks to integrated rubber buffers. When the trolley is not in use, all the accessories can be folded to save space.

Furthermore, a product tray with adjustable internal dividers is available that can be placed on top and can be either open or closed with a lockable lid.

A maximum of three black ABS product trays can be placed on the side of the trolley.

334





Item A46
Folding bag holder with
canvas bag for dirty
linen



Item A45-90
Top loading compartmental tray with lid and
lock; also available without lid



Item A48
Folding waste bag
holder with lid and
small bag support shelf



Item 2026S + A47 + A45-90 + S1270



Item A49
Two lockable
doors



Item A47
Folding bag support



Item AB01x3



Item 2020 + S1270



Item 2024 + S1270

| Item | Canvas bag | Waste bag holder | Doors | Max dim. (cm) |
|-------|------------|------------------|-------|---------------|
| 2020 | - | - | - | 100x62x118 |
| 2020S | - | - | 2 | 100x62x118 |
| 2022 | 1 | - | - | 130x62x118 |
| 2022S | 1 | - | 2 | 130x62x118 |
| 2024 | 2 | - | - | 160x62x118 |
| 2024S | 2 | - | 2 | 160x62x118 |
| 2026 | 1 | 1 | - | 160x62x118 |
| 2026S | 1 | 1 | 2 | 160x62x118 |

| Options | Description | For item |
|---------|---|----------|
| S1270 | 1 Set with 2 braked castors | All |
| SE270 | 2 Set with 4 resilient wheels (2 with brake) | All |
| SE310 | 3 Set with 4 pneumatic wheels (2 rigid, 2 swivel) | All |





Item 2022S + A47 + AB01(x3) + S1270



Item 2022S + S1270



Item 2026S + A47 + A45-90 + S1270

| Accessories | | Description | For item |
|-------------|---|---|----------|
| A47 | - | Folding bag support | All |
| A44-90 | - | Top loading compartmental tray , 90cm | All |
| A45-90 | - | Top loading compartmental tray with lid&lock, 90 cm | All |
| R0015 | - | Canvas bag for dirty linen | All |
| AB01 | 1 | PVC waste bin, 35x19x18cm | All |



- White plastic-coated steel tube foldable structure (Item 1500)
- White painted steel tube and wire foldable structure (Item 1505-1510)
- Swivel wheels - various diameters available depending on models



Item 1500

338

| Item | Wheel ø (cm) | Max dim. (cm) |
|------|--------------|---------------|
| 1500 | 8 | 80x51x75 |
| 1505 | 9.5 | 80x52x77 |
| 1510 | 9.5 | 100x60x87 |

| Accessories | | Description | For item |
|-------------|---|----------------------------|------------|
| R0020 | 1 | Canvas bag for dirty linen | 1500 -1505 |
| R0030 | 1 | Canvas bag for dirty linen | 1510 |



1



Item 1505



Item 1510

POLYPROPYLENE LINEN TRUCKS

- Structure made of polypropylene snap-in tubes
- Wheels mounted onto a galvanized steel frame – various diameters available depending on models



Item 15500

340



Item 15502

| Item | Wheel \varnothing (cm) | Max dim. (cm) |
|-------|--------------------------|---------------|
| 15500 | 12.5 | 134x75x84 |
| 15502 | 10 | 102x63x82 |
| 15504 | 10 | 95x63x66 |
| 15506 | 8 | 83x48x62 |
| 15508 | 8 | 83x48x79 |



Item 15504



Item 15506



Item 15508

LINEN TRUCKS

- ABS base
- Nylon bag holder ring with bag retaining rubber seal
- AISI 304 stainless steel tube uprights
- Swivel castors, ø 8cm, 2 with brake



Item 14510



Item 14512



Item 14514

342

| Item | Max dim. (cm) |
|-------|---------------|
| 14510 | 36x54x93 |
| 14512 | 74x54x93 |
| 14514 | 112x54x93 |

| Accessories | Description | For item |
|-------------|-----------------------------|----------|
| A14540 | 1 Pedal operated blue lid | All |
| A14542 | - Pedal operated red lid | All |
| A14544 | - Pedal operated yellow lid | All |
| A14546 | - Pedal operated green lid | All |
| A14548 | - Pedal operated white lid | All |
| A14550 | - Pedal operated brown lid | All |
| A0298 | 2 Push handle | All |
| R0296 | 3 Canvas bag | All |





Item 14510 + A14540



Item 14510 + A14542 + R0296



Item 14512 + A14540 + A14542 + A0298



Item 14542



Item 14544



Item 14546



Item 14548



Item 14550



WASTE BINS,
WASTE PAPER BINS,
ASHTRAYS,
UMBRELLA STANDS,
PAPER TOWEL
DISPENSERS

WHEELED WASTE COLLECTORS

- AISI 304 stainless steel waste container, brushed finish
- Watertight pressed bottom with no sharp edges
- Lid: 1/2 fixed + 1/2 opening
- All-round rubber trim
- Two fixed and two swivel castors







Watertight pressed bottom
with no sharp edges

346



Item 2672



| Item | Opening | Capacity (L) | Max dim. (cm) |  |   cm |  |
|------|---------|--------------|---------------|---|--|---|
| 2670 | Manual | 110 | 58x35x70 | 11 | M 64x39x72 | 12 |
| 2672 | Manual | 140 | 62x40x70 | 13 | M 68x43x72 | 14 |
| 2674 | Manual | 150 | 60x45x70 | 13 | M 66x49x72 | 14 |

- AISI 304 stainless steel waste bin, brushed finish
- Watertight radial pressed bottom with no sharp edges
- Manual or pedal operated opening depending on model
- All-round rubber trim
- Wheel-mounted





Watertight pressed bottom with no sharp edges



Item 2652



Item 2658

| Item | Opening | Capacity (L) | Max dim. (cm) | Kg |   cm | Kg |
|------|----------------|--------------|---------------|----|--|----|
| 2650 | Pedal operated | 50 | ø 40x62 | 9 | M 43x43x67 | 10 |
| 2652 | Pedal operated | 75 | ø 48x60 | 10 | M 51x51x67 | 11 |
| 2654 | Pedal operated | 100 | ø 48x72 | 11 | M 51x51x78 | 13 |
| 2656 | Manual | 50 | ø 40x62 | 8 | M 43x43x67 | 9 |
| 2658 | Manual | 75 | ø 48x60 | 9 | M 51x51x67 | 10 |
| 2660 | Manual | 100 | ø 48x72 | 10 | M 51x51x78 | 12 |

STAINLESS STEEL WASTE BINS

- AISI 304 stainless steel waste bin, satin finish
- Leak-proof bottom
- Manual opening
- Removable wheeled base



Leak-proof bottom



Item 2450





Item 2451



Item 2452

348

| Item | Opening | Capacity (L) | Max dim. (cm) | Kg |   cm | Kg |
|------|---------|--------------|---------------|----|--|----|
| 2450 | Manual | 50 | ø 40x50 | 10 | M 47x47x64 | 11 |
| 2451 | Manual | 70 | ø 40x70 | 11 | M 52x52x79 | 12 |
| 2452 | Manual | 90 | ø 40x90 | 15 | M 45x47x100 | 16 |

- AISI 304 stainless steel waste bin, satin finish
- Leak-proof bottom
- Pedal operated opening
- Removable wheeled base



Leak-proof bottom



Item 2455





Item 2456



Item 2457

349

| Item | Opening | Capacity (L) | Max dim. (cm) | Kg |   cm | Kg |
|------|----------------|--------------|---------------|----|--|----|
| 2455 | Pedal operated | 50 | ø 40x50 | 10 | M 47x47x64 | 11 |
| 2456 | Pedal operated | 70 | ø 40x70 | 11 | M 52x52x79 | 12 |
| 2457 | Pedal operated | 90 | ø 40x90 | 15 | M 45x47x100 | 16 |

FREE-STANDING WASTE SACK-HOLDERS

- Wheeled white-lacquer metal waste sack-holder
- Pedal operated opening







Item 2438

350

- Wheeled chrome-plated tube waste sack-holder
- Plastic lid, manual opening



Item 2440

| Item | Opening | Capacity (L) | Max dim. (cm) |  Kg |   cm |  Kg |
|------|----------------|--------------|---------------|--|--|--|
| 2438 | Pedal operated | 100 | 40x45x100 | 12 | M 63x57x100 | 13 |
| 2440 | Manual | 100 | 52x48x103 | 6 | M 57x63x105 | 7 |

- AISI 304 stainless steel waste sack-holder, satin finish
- Pedal operated opening
- Swivel castors







Item 2434



Item 2441

- Polyethylene waste bin with handles and satin finished stainless steel dolly
- Nylon castors

| Item | Opening | Capacity (L) | Max dim. (cm) |  Kg |   cm |  Kg |
|------|----------------|--------------|---------------|--|--|--|
| 2434 | Pedal operated | 110 | ø 40x86 | 10 | M 45x47x100 | 11 |
| 2441 | Manual | 75 | ø 57x80 | 5 | M 52x52x79 | 6 |

WASTE BINS - RECYCLING RANGE

- Stainless steel waste bin
- Bag held in place by an elastic ring
- Front door
- Pedal operated opening, stainless steel or coloured finish depending on model
- Two-wheel base



Item 2466



Item 2467



Item 2466B / Item 2467B





Item 2466G / Item 2467G



Item 2466V / Item 2467V



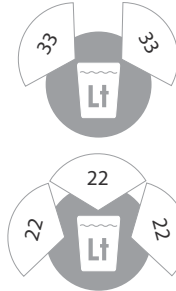
Item 2466R / Item 2467R

| Item | Lid finish | Capacity (L) | Max dim. (cm) | Kg |   cm | Kg |
|-------|-----------------|--------------|---------------|----|--|----|
| 2466 | Stainless steel | 70 | 46x36x70 | 11 | M 52x52x79 | 12 |
| 2466B | Blue | 70 | 46x36x70 | 11 | M 52x52x79 | 12 |
| 2466G | Yellow | 70 | 46x36x70 | 11 | M 52x52x79 | 12 |
| 2466V | Green | 70 | 46x36x70 | 11 | M 52x52x79 | 12 |
| 2466R | Red | 70 | 46x36x70 | 11 | M 52x52x79 | 12 |
| 2467 | Stainless steel | 90 | 46x36x90 | 15 | M 52x52x100 | 16 |
| 2467B | Blue | 90 | 46x36x90 | 15 | M 52x52x100 | 16 |
| 2467G | Yellow | 90 | 46x36x90 | 15 | M 52x52x100 | 16 |
| 2467V | Green | 90 | 46x36x90 | 15 | M 52x52x100 | 16 |
| 2467R | Red | 90 | 46x36x90 | 15 | M 52x52x100 | 16 |

- Stainless steel waste bin
- Removable inner liners in painted galvanised sheet metal, 2 or 3 depending on model
- Pedal operated opening
- Fixed base without wheels



Item 2442



- Stainless steel waste bin
- Inner liner in galvanised sheet metal
- Pedal operated opening



Item 2472



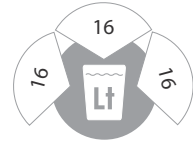
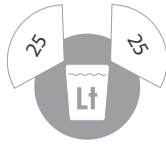
| Item | Liners | Liner capacity | Capacity (L) | Max dim. (cm) | Kg | | | cm | Kg |
|------|--------|----------------|--------------|---------------|----|---|--|----------|----|
| 2442 | 2 | 33 L (each) | 66 | 46x36x70 | 17 | M | | 52x52x79 | 18 |
| 2443 | 3 | 22 L (each) | 66 | 46x36x70 | 17 | M | | 52x52x79 | 18 |
| 2472 | 1 | - | 80 | ø 42x73 | 13 | M | | 52x52x79 | 14 |

| Accessories | | Description | For item |
|-------------|---|------------------------------|-------------|
| 2449 | 1 | Stainless steel wheeled base | 2442 - 2443 |
| 2460B | 2 | Stainless steel wheeled base | 2472 |



RECYCLING BINS

- Stainless steel bin, satin finish
- Removable galvanised inner liners, 2 or 3 depending on model





Item 2585



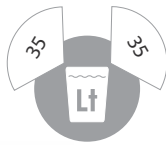
Item 2586



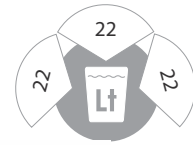
354

| Item | Liners | Liner capacity | Capacity (L) | Max dim. (cm) | Kg |   cm | Kg |
|------|--------|----------------|--------------|---------------|----|--|----|
| 2585 | 2 | 25 L (each) | 50 | ø 35x62 | 6 | M 38x38x67 | 7 |
| 2586 | 3 | 16 L (each) | 48 | ø 35x62 | 6 | M 38x38x67 | 7 |

- Stainless steel bin, satin finish
- Removable galvanised inner liners, 2 or 3 depending on model





Item 2587



Item 2588

355



| Item | Liners | Liner capacity | Capacity (L) | Max dim. (cm) | Kg |  |  cm | Kg |
|------|--------|----------------|--------------|---------------|----|---|--|----|
| 2587 | 2 | 35 L (each) | 70 | ø 40x70 | 7 | M | 52x52x79 | 8 |
| 2588 | 3 | 22 L (each) | 66 | ø 40x70 | 7 | M | 52x52x79 | 8 |

RECYCLING BINS

- Stainless steel rectangular bin
- Swing top in scratch proof stainless steel or lacquer metal depending on model



Item 2431



Item 2432



Item 2431G / Item 2432G



Item 2431V / Item 2432V






Item 2431B / Item 2432B



Item 2431R / Item 2432R

356

| Item | Lid finish | Capacity (L) | Max dim. (cm) | Kg |   cm | Kg |
|-------|-----------------|--------------|---------------|----|--|----|
| 2431 | Stainless steel | 30 | 30x20x70 | 4 | M 33x24x75 | 5 |
| 2431B | Blue | 30 | 30x20x70 | 4 | M 33x24x75 | 5 |
| 2431G | Yellow | 30 | 30x20x70 | 4 | M 33x24x75 | 5 |
| 2431V | Green | 30 | 30x20x70 | 4 | M 33x24x75 | 5 |
| 2431R | Red | 30 | 30x20x70 | 4 | M 33x24x75 | 5 |
| 2432 | Stainless steel | 70 | 40x30x90 | 9 | M 46x35x91 | 10 |
| 2432B | Blue | 70 | 40x30x90 | 9 | M 46x35x91 | 10 |
| 2432G | Yellow | 70 | 40x30x90 | 9 | M 46x35x91 | 10 |
| 2432V | Green | 70 | 40x30x90 | 9 | M 46x35x91 | 10 |
| 2432R | Red | 70 | 40x30x90 | 9 | M 46x35x91 | 10 |

| Accessories |  Description | For item |
|-------------|---|-------------|
| 2431S | 1 Magnetic fitting to join bins | All |
| 2431T | 2 Steel rod bag holder | Series 2431 |
| 2432T | 2 Steel rod bag holder | Series 2432 |



1



2

- Stainless steel bin, push operated opening
- Push operated opening - stainless steel or coloured hatch depending on model



Item 2404G



Item 2404V



Item 2404B



Item 2404R

| Item | Lid finish | Capacity (L) | Max dim. (cm) | Kg | cm | Kg |
|-------|-----------------|--------------|---------------|----|------------|----|
| 2404 | Stainless steel | 45 | ø 30x88 | 6 | M 36x36x94 | 7 |
| 2404B | Blue | 45 | ø 30x88 | 6 | M 36x36x94 | 7 |
| 2404G | Yellow | 45 | ø 30x88 | 6 | M 36x36x94 | 7 |
| 2404V | Green | 45 | ø 30x88 | 6 | M 36x36x94 | 7 |
| 2404R | Red | 45 | ø 30x88 | 6 | M 36x36x94 | 7 |

| Accessories | Description | For item |
|-------------|---------------------------------|----------|
| 2404S | 1 Magnetic fitting to join bins | All |
| 2404C | 2 Galvanised steel sheet liner | All |



WASTE PAPER BINS

- Push opening waste paper bin
- stainless steel or white/black lacquer metal
- Push or pedal operated opening depending on model



Item 2405






Item 2407



Item 2408

358

| Item | Description | Opening | Capacity (L) | Max dim. (cm) | Kg |  |  cm | Kg |
|------|-----------------|---------|--------------|---------------|----|---|--|----|
| 2405 | White lacquer | Push | 45 | ø 30x88 | 6 | M | 36x36x94 | 7 |
| 2407 | Black lacquer | Push | 45 | ø 30x88 | 6 | M | 36x36x94 | 7 |
| 2408 | Stainless steel | Pedal | 45 | ø 30x88 | 6 | M | 36x36x94 | 7 |

| Accessories |  | Description | For item |
|-------------|---|------------------------------|----------|
| 2404C | 1 | Galvanised steel sheet liner | All |



1

- Push opening stainless steel waste paper bin
- Push or pedal operated opening depending on model





Item 2410




Item 2411



Item 2409

| Item | Description | Opening | Capacity (L) | Max dim. (cm) | Kg |  |  cm | Kg |
|------|-----------------|---------|--------------|---------------|----|---|--|----|
| 2409 | Stainless steel | Push | 87 | ø 40x95 | 10 | M | 49x47x101 | 11 |
| 2410 | Stainless steel | Push | 78 | ø 40x83 | 8 | M | 49x49x82 | 9 |
| 2411 | Stainless steel | Pedal | 78 | ø 40x83 | 9 | M | 49x49x82 | 10 |

| Accessories |  | Description | For item |
|-------------|---|------------------------------|-------------|
| 2409Z | 1 | Galvanised steel sheet liner | 2409 |
| 2410Z | 1 | Galvanised steel sheet liner | 2410 - 2411 |



WASTE BINS

- Stainless steel waste bin
- Pedal operated stainless steel lid
- Inner liner



Item 2483







Item 2482

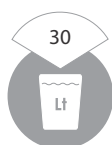


Item 2480

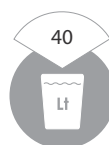
360

| Item | Inner liner | Capacity (L) | Max dim. (cm) |  Kg |   cm |  Kg |
|------|------------------------|--------------|---------------|--|--|--|
| 2483 | Aluminum | 11 | ø 26x40 | 5 | M 30x30x46 | 6 |
| 2482 | Galvanised sheet metal | 18 | ø 26x58 | 6 | M 30x30x63 | 7 |
| 2480 | Galvanised sheet metal | 25 | ø 26x73 | 7 | M 30x30x79 | 8 |



- Stainless steel waste bin
- Pedal operated stainless steel lid
- Inner liner



Item 2491



Item 2490

| Item | Inner liner | Capacity (L) | Max dim. (cm) | Kg |   cm | Kg |
|------|------------------------|--------------|---------------|----|--|----|
| 2491 | Galvanised sheet metal | 30 | ø 32x60 | 7 | M 37x36x64 | 8 |
| 2490 | Galvanised sheet metal | 40 | ø 32x75 | 8 | M 36x36x79 | 9 |

WASTE BINS

- Waste bin in stainless steel or white epoxy powder coated steel
- Black plastic liner
- Pedal operated opening



Item 2493



Item 2493B





Item 2494



Item 2494B

362

MINIMUM SUPPLY: 6 PIECES PER ITEM

| Item | Description | Capacity (L) | Max dim. (cm) | Kg |   cm | Kg |
|-------|-----------------|--------------|---------------|----|--|----|
| 2493 | Stainless steel | 3 | ø 17x25 | 1 | M 26x22x18 | 15 |
| 2493B | White painted | 3 | ø 17x25 | 1 | M 26x22x18 | 15 |
| 2494 | Stainless steel | 5 | ø 21x28 | 1 | M 26x22x32 | 15 |
| 2494B | White painted | 5 | ø 21x28 | 1 | M 26x22x32 | 15 |

- Waste bin in stainless steel or white epoxy powder coated steel
- Black plastic liner
- Pedal operated opening



Item 2495



Item 2495B



Item 2496



Item 2497



| Item | Description | Capacity (L) | Max dim. (cm) | Kg | M | cm | Kg |
|-------|-----------------|--------------|---------------|-----|---|----------|-----|
| 2495 | Stainless steel | 14 | ø 25x38 | 2 | M | 26x34x44 | 2.5 |
| 2495B | White painted | 14 | ø 25x38 | 2 | M | 26x34x44 | 2.5 |
| 2496 | Stainless steel | 20 | ø 29x50 | 3.5 | M | 38x31x55 | 4.5 |
| 2497 | Stainless steel | 30 | ø 29x68 | 4 | M | 38x31x71 | 5.5 |

WASTE PAPER BINS

- Satin finished stainless steel waste paper bin
- Self-extinguishing top, satin finished stainless steel

Self-extinguishing



Item 2553





Item 2554



Item 2544



Item 2545

| Item | Capacity (L) | Max dim. (cm) | Kg |   cm | Kg |
|------|--------------|---------------|----|--|----|
| 2553 | 29 | ø 25x60 | 3 | M 31x31x63 | 4 |
| 2554 | 35 | ø 25x70 | 4 | M 28x28x76 | 5 |
| 2544 | 50 | ø 30x70 | 5 | M 36x36x79 | 6 |
| 2545 | 85 | ø 40x70 | 7 | M 52x52x79 | 8 |





- Outdoor wall-mounted litter bin - satin finished stainless steel or charcoal lacquer metal
- Tilt-to-empty version



Item 2727



Item 2727G

| Item | Description | Max dim. (cm) |  Kg |   cm |  Kg |
|-------|------------------|---------------|--|--|--|
| 2727 | Stainless steel | 28x25x49 | 6 | M 34x34x58 | 7 |
| 2727G | Charcoal lacquer | 28x25x49 | 6 | M 34x34x58 | 7 |

WASTE PAPER BINS

- Waste paper bin - stainless steel or matt black lacquer metal



Item 2730







Item 2734

366

- Waste paper bin, perforated stainless steel



Item 2740

| Item | Description | Max dim. (cm) |  Kg |  M |  cm |  Kg |
|------|----------------------------|---------------|--|---|--|--|
| 2730 | Stainless steel | ø 20x33 | 15 | M | 23x23x35 | 2 |
| 2734 | Matt black lacquer | ø 20x33 | 15 | M | 23x23x35 | 2 |
| 2740 | Perforated stainless steel | ø 20x33 | 15 | M | 23x23x35 | 2 |

- Rounded square waste paper bin in satin finished stainless steel



Item 2770

- Rounded triangular-shaped waste paper bin - stainless steel or aluminium grey/matt black lacquer metal







Item 2774



Item 2774G



Item 2774N

| Item | Description | Max dim. (cm) |  |  |  cm |  |
|-------|-------------------------------|---------------|---|---|--|---|
| 2770 | Stainless steel, satin finish | 25x25x38 | 2 | M | 28x28x40 | 3 |
| 2774 | Stainless steel | 27(side)x40 | 2 | M | 28x28x53 | 3 |
| 2774G | Aluminum grey lacquer | 27(side)x40 | 2 | M | 28x28x53 | 3 |
| 2774N | Matt black lacquer | 27(side)x40 | 2 | M | 28x28x53 | 3 |

LITTER BINS AND ASHTRAY TOP LITTER BINS

- Litter bin and ashtray top litter bin in burnt copper with brass edges
- Leak-proof bottom
- Antioxidant transparent varnish



Leak-proof bottom







Item 2625



Item 2624

368



| Item | Description | Max dim. (cm) |  |  |  cm |  |
|------|-------------------------------|---------------|---|---|--|---|
| 2625 | Burnt copper with brass edges | ø 23x30 | 1 | M | 25x25x36 | 2 |
| 2624 | Burnt copper with brass edges | ø 23x66 | 3 | M | 26x26x71 | 4 |

• Stainless steel or brass ashtray top litter bin



Item 2502



Item 2504

• Stainless steel or brass litter bin with ashtray mesh top



Item 2506



Item 2508



Item 2510



Item 2512

369

| Item | Description | Max dim. (cm) | Kg | cm | Kg |
|------|-----------------|---------------|----|------------|----|
| 2502 | Stainless steel | ø 20x58 | 3 | M 23x23x65 | 4 |
| 2504 | Brass | ø 20x58 | 3 | M 23x23x65 | 4 |
| 2506 | Stainless steel | ø 20x60 | 3 | M 23x23x65 | 4 |
| 2508 | Brass | ø 20x60 | 3 | M 23x23x65 | 4 |
| 2510 | Stainless steel | ø 25x69 | 4 | M 28x28x76 | 5 |
| 2512 | Brass | ø 25x69 | 4 | M 28x28x76 | 5 |

Accessories Description For item

2501S 1 Steel rod bag holder 2510 - 2512



1

LITTER BINS AND ASHTRAY TOP LITTER BINS

- Ashtray top litter bin - stainless steel or black lacquer metal with stainless steel ashtray grid

370






Item 2530N



Item 2531

| Item | Description | Max dim. (cm) |  Kg |  |  cm |  Kg |
|-------|-----------------|---------------|--|---|--|--|
| 2530N | Black lacquer | ø 25x62 | 4 | M | 28x28x76 | 5 |
| 2531 | Stainless steel | ø 25x62 | 4 | M | 28x28x76 | 5 |

| Accessories |  | Description | For item |  |
|-------------|---|----------------------|----------|---|
| 2532 | 1 | Steel rod bag holder | All |  1 |

- Ashtray top litter bin - stainless steel or charcoal/ semi-gloss black lacquer metal
- Fire-safe inner liner and stainless steel ashtray grid

Self-extinguishing



Item 2612



Item 2613



Item 2614

371

| Item | Description | Max dim. (cm) | Kg | Material | cm | Kg |
|------|--------------------------|---------------|----|----------|----------|----|
| 2612 | Charcoal lacquer | ø 25x80 | 5 | M | 28x28x76 | 6 |
| 2613 | Semi-gloss black lacquer | ø 25x80 | 5 | M | 28x28x76 | 6 |
| 2614 | Stainless steel | ø 25x80 | 5 | M | 28x28x76 | 6 |

| Accessories | Description | For item |
|-------------|-------------|----------|
|-------------|-------------|----------|

2615 1 Steel rod bag holder All



1

2616 2 Galvanised steel sheet liner All



2

LITTER BINS AND ASHTRAY TOP LITTER BINS

- Stainless steel ashtray top litter bin
- Front stainless steel door depending on model



Item 2521



Item 2523

- Ashtray top litter bin - stainless steel or charcoal/ semi-gloss black lacquer metal with mesh top



Item 2617



Item 2618



Item 2619

372

| Item | Description | Max dim. (cm) | Kg | cm | Kg |
|------|--------------------------|---------------|----|------------|----|
| 2521 | Stainless steel | 30x20x70 | 5 | M 33x24x75 | 6 |
| 2523 | Stainless steel | 30x20x70 | 5 | M 33x24x75 | 6 |
| 2617 | Charcoal lacquer | 30x20x80 | 6 | M 33x24x85 | 7 |
| 2618 | Semi-gloss black lacquer | 30x20x80 | 6 | M 33x24x85 | 7 |
| 2619 | Stainless steel | 30x20x80 | 6 | M 33x24x85 | 7 |

| Accessories | Description | For item |
|-------------|------------------------|--------------------|
| 2620 | 1 Steel rod bag holder | 2617 - 2618 - 2619 |



1

- Column ashtray - stainless steel or charcoal/ semi-gloss black lacquer metal
- Grid top with knob



Item 2621



Item 2622



Item 2623

- Self-extinguishing column ashtray – satin finished stainless steel or semi-gloss black lacquer metal
- Inner ash bin

Self-extinguishing



Item 2702



Item 2704

Inner ash bin



373

| Item | Description | Max dim. (cm) | Kg | Icon | cm | Kg |
|------|-------------------------------|---------------|----|------|----------|----|
| 2621 | Charcoal lacquer | ø 30x70 | 8 | M | 33x33x74 | 9 |
| 2622 | Semi-gloss black lacquer | ø 30x70 | 8 | M | 33x33x74 | 9 |
| 2623 | Stainless steel | ø 30x70 | 8 | M | 33x33x74 | 9 |
| 2702 | Stainless steel, satin finish | ø 30x110 | 9 | M | 37x36x83 | 10 |
| 2704 | Semi-gloss black lacquer | ø 30x110 | 9 | M | 37x36x83 | 10 |

Accessories Description For item

2706 1 Galvanised steel theft proof chain - 2m long 2702 - 2704



CYLINDER ASHTRAYS

- Stainless steel or black painted steel column ashtray
- Inner stainless steel bin with handle
- Lockable
- Plastic feet
- Can be bolted to the ground

Inner ash bin



Lockable







Item 2701



Item 2703

374



| Item | Description | Capacity (L) | Max dim. (cm) |  |  |  cm |  |
|------|-----------------|--------------|---------------|---|---|--|---|
| 2701 | Stainless steel | 4 | ø 30x101 | 2 | M | 31x80x16 | 5 |
| 2703 | Black painted | 4 | ø 30x101 | 2.5 | M | 31x80x16 | 5.5 |

- Wall-mounted ashtray - stainless steel or charcoal/ black lacquer metal



Item 2712



Item 2714



Item 2716

- Wall-mounted ashtray - stainless steel or white/black lacquer metal
- Tilting black-painted grid top



Item 2724



Item 2726



Item 2728

- Wall-mounted ashtray - stainless steel or dappled silver/red epoxy powder coated steel
- Tilting self-extinguishing top



Item 2729I





Item 2729



Item 2729R

Self-extinguishing



| Item | Description | Max dim. (cm) | Kg |  |  cm | Kg |
|-------|-----------------------|---------------|----|---|--|----|
| 2712 | Stainless steel | ø 20x14 | 1 | M | 22x22x16 | 15 |
| 2714 | Charcoal lacquer | ø 20x14 | 1 | M | 22x22x16 | 15 |
| 2716 | Black lacquer | ø 20x14 | 1 | M | 22x22x16 | 15 |
| 2724 | Stainless steel | ø 15x16 | 1 | M | 18x17x18 | 15 |
| 2726 | White lacquer | ø 15x16 | 1 | M | 18x17x18 | 15 |
| 2728 | Black lacquer | ø 15x16 | 1 | M | 18x17x18 | 15 |
| 2729I | Stainless steel | ø 16x14 | 15 | M | 17x17x19 | 2 |
| 2729 | Dappled silver coated | ø 16x14 | 15 | M | 17x17x19 | 2 |
| 2729R | Red painted | ø 16x14 | 15 | M | 17x17x19 | 2 |

UMBRELLA STANDS

- Round or square umbrella stand -
satin finished stainless steel or black lacquer metal



Item 2771



Item 2760



Item 2761

376



- Perforated umbrella stand –
stainless steel or matt black lacquer metal



Item 2780



Item 2780N

| Item | Description | Max dim. (cm) | Kg |   cm | Kg |
|-------|-------------------------------|---------------|----|--|----|
| 2771 | Stainless steel, satin finish | 25x25x50 | 3 | M 28x28x53 | 4 |
| 2760 | Stainless steel, satin finish | 24x24x49 | 3 | M 28x28x53 | 4 |
| 2761 | Black lacquer | 24x24x49 | 3 | M 28x28x53 | 4 |
| 2780 | Stainless steel | ø 25x50 | 2 | M 28x28x53 | 3 |
| 2780N | Matt black lacquer | ø 25x50 | 2 | M 28x28x53 | 3 |

- Triangular-shaped embossed umbrella stand - stainless steel or aluminum grey/matt black lacquer metal



Item 2776



Item 2776G



Item 2776N



- Burnt copper umbrella stand with brass edges
- Watertight
- Antioxidant transparent varnish



Item 2626



Leak-proof bottom

| Item | Description | Max dim. (cm) | Kg |   cm | Kg |
|-------|-------------------------------|---------------|----|--|----|
| 2776 | Stainless steel | 27(side)x50 | 2 | M 28x28x53 | 3 |
| 2776G | Aluminum grey lacquer | 27(side)x50 | 2 | M 28x28x53 | 3 |
| 2776N | Matt black lacquer | 27(side)x50 | 2 | M 28x28x53 | 3 |
| 2626 | Burnt copper with brass edges | ø 23x48 | 15 | M 26x25x54 | 3 |

PAPER TOWEL DISPENSERS

- Wall-mounted vertical paper towel dispenser with internal unwinding
- satin finished stainless steel

Item 2604



378

- Wall-mounted horizontal paper towel dispenser
- satin finished stainless steel

Item 2608



| Item | Max dim. (cm) |  Kg |  |  cm |  Kg |
|------|---------------|--|---|--|--|
| 2604 | ø 25x32 | 3 | M | 28x28x40 | 4 |
| 2608 | ø 30x33 | 3 | M | 28x28x40 | 4 |

- Wall-mounted paper towel roll holder
- stainless steel



Item 2603

- Floor standing paper towel roll holder
- stainless steel



Item 2609

| Item |  Kg |  |  cm |  Kg |
|------|--|---|--|--|
| 2603 | 1 | M | 41x20x29 | 2 |
| 2609 | 3 | M | 53x20x80 | 4 |

11

HANDLING, STORAGE,
PLATFORM TRUCKS
AND ROLL CAGES



ROLL CAGES

- Roll cage comprising a wheeled bottom platform and two side frames
- Comes standard with two retention straps
- Bright zinc electroplated tubular frame and reinforcing bars
- Polypropylene castors, ø 10.6cm - two swivel (red) and two fixed (black)



Item 1812



Item 1812 + A18122 + A18123

382

| Item | Description | Max dim. (cm) |
|-------------|---------------------------------------|---------------|
| 1812 | 1 platform + 2 side frames + 2 straps | 72x81x180 |
| Accessories | Description | For item |
| A18121 | Nylon strap | 1812 |
| A18122 | Rear wall | 1812 |
| A18123 | Front opening 2/3 | 1812 |
| A18124 | Central shelf | 1812 |

- Full security, nestable roll cage comprising a wheeled bottom platform, three side frames, a front door and a roof
- Bright zinc chromate electroplated tubular frame and reinforcing bars
- The hinged frames can be folded for ease of storage
- Door opening to 270°
- Anti-theft wire mesh
- Polypropylene castors, ø 10.6cm - two swivel and two rigid



Item 1814 + A18141



| Item | Description | Max dim. (cm) |
|------|---|---------------|
| 1814 | 1 platform +3 side frames + 1 front door + 1 roof | 72x83x170 |

| Accessories | Description | For item |
|-------------|--------------------------|----------|
| A18141 | Detachable central shelf | 1814 |

ROLL CAGES

- Roll cage comprising a wheeled bottom platform, two side frames and one retention strap
- Bright zinc electroplated tubular frame and reinforcing bars
- Polypropylene castors, ø 10.6cm - two swivel (red) and two fixed (black)



384



Item 1826 + A18263



Item 1826 + A18263 + A18264

| Item | Description | Max dim. (cm) |
|-------------|--------------------------------------|---------------|
| 1826 | 1 platform + 2 side frames + 1 strap | 120x81x180 |
| Accessories | Description | For item |
| A18261 | Central shelf | 1826 |
| A18262 | Nylon strap | 1826 |
| A18263 | Rear wall | 1826 |
| A18264 | Front opening 2/3 | 1826 |

- Roll cage comprising a wheeled bottom platform and three rigid side frames
- Welded stainless steel construction
- Central shelf depending on model
- Swivel castors, ø cm 16, 2 with brake



Item 1832

385

| Item | Description | Max dim. (cm) |
|------|--|---------------|
| 1832 | 1 platform + 3 side frames | 145x65x198 |
| 1833 | 1 platform + 3 side frames + 1 central shelf | 145x65x198 |

| Options | Description | For item | |
|---------|---|-------------|--|
| SE270 | 1 Set with 4 resilient castors (2 with brake) | 1832 - 1833 | |

POLYETHYLENE PLATFORM TRUCKS

- Polyethyelene base
- Fixed or folding handle in stainless steel tube
- Two fixed and two swivel castors, ø 14cm



Note: suitable for outdoor use

386



Item 1840

| Item | Description | Max dim. (cm) |
|------|---|---------------|
| 1840 | Stainless steel rigid round tube handle, ø 2.5cm | 107x57x97 |
| 1841 | Stainless steel folding square tube handle, 2.5x2.5cm | 95x57x87 |
| 1842 | Without push handle | 92x57x27 |



Item 1841



Item 1841 with handle in folded position



Item 1842

387

| Accessories | Description | For item |
|-------------|--------------|-------------|
| A0121 | Extra handle | 1840 - 1842 |

| Options | Description | For item |
|---------|-----------------------------|----------|
| S1250 | 1 Set with 2 braked castors | All |



STAINLESS STEEL PLATFORM TRUCKS

- AISI 304 stainless steel sheet platform
- Stainless steel tube handle
- Two fixed and two swivel castors, ø 14cm



388



Item 1895



Item 1897 + S1250

| Item | Description | Platform dimensions | Max dim. (cm) |
|------|---------------|---------------------|---------------|
| 1895 | 1 push handle | 60x60 | 60x70x97 |
| 1896 | 1 push handle | 60x80 | 60x90x97 |
| 1897 | 1 push handle | 60x100 | 60x110x97 |

| Options | Description | For item |
|---------|-----------------------------|----------|
| S1250 | 1 Set with 2 braked castors | All |



1

- AISI 304 stainless steel sheet platform
- Two stainless steel tube handles
- Two fixed and two swivel castors, ø 14cm



Item 1897M2 + S1250

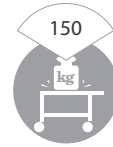
| Item | Description | Platform dimensions | Max dim. (cm) |
|--------|----------------|---------------------|---------------|
| 1895M2 | 2 push handles | 60x60 | 60x80x97 |
| 1896M2 | 2 push handles | 60x80 | 60x100x97 |
| 1897M2 | 2 push handles | 60x100 | 60x120x97 |

| Options | Description | For item |
|---------|-----------------------------|----------|
| S1250 | 1 Set with 2 braked castors | All |



MESH PLATFORM TRUCKS

- Bright zinc electroplated steel mesh platform
- Red polypropylene swivel castors, ø 10.6cm



Item 1838

390



Item 1836

| Item | Max dim. (cm) |
|------|---------------|
| 1836 | 62x41x16 |
| 1838 | 96x55x16 |

- Hand truck for box handling
- Tubular frame with red painted steel sheet base
- Pneumatic wheels, \varnothing 26cm



Item 1891

391

Item

Max dim. (cm)

1891

62x55x126

CHANGING ROOM LOCKERS

- AISI 430 stainless steel sheet uniform locker
- Sloping top to reduce dust build-up
- Central partition with coat hooks for separate storage of work wear and daily wear
- Top hat shelf
- Double lower compartment for work and daily shoes
- Hinged door with lock
- Adjustable feet



Item 9440



Item 9444

392

| Item | Description | Max dim. (cm) |
|------|---------------------|---------------|
| 9440 | Single locker | 50x40x215 |
| 9442 | Two-person lockers | 95x40x215 |
| 9444 | Four-person lockers | 95x40x215 |

- AISI 430 stainless steel sheet uniform locker
- Sloping top to reduce dust build-up
- Central partition with three adjustable storage shelves
- Hinged door with lock
- Adjustable feet



Item 9460



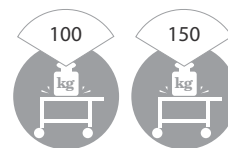
Item 9462

| Item | Description | Max dim. (cm) |
|------|-------------|---------------|
| 9460 | One door | 50x40x215 |
| 9462 | Two doors | 95x40x215 |

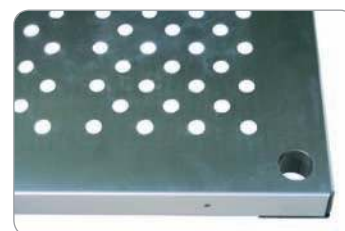
MODULAR SHELVING SYSTEMS

- Stainless steel round posts, \varnothing 3cm, with notches every 10 cm for easy shelf placement
- Solid or vented shelves in stainless steel sheet with plastic angle supports and safety edges to eliminate sharpness
- Adjustable level feet
- Normal shelves: 100 kg/m load capacity
- Reinforced shelves: 150 kg/m load capacity
- Shelves for continuous run systems: 100 kg/m load capacity
- Hooks for continuous runs of shelving and L-shaped shelving units

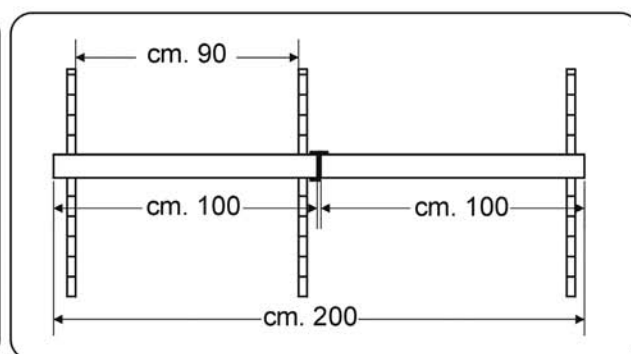
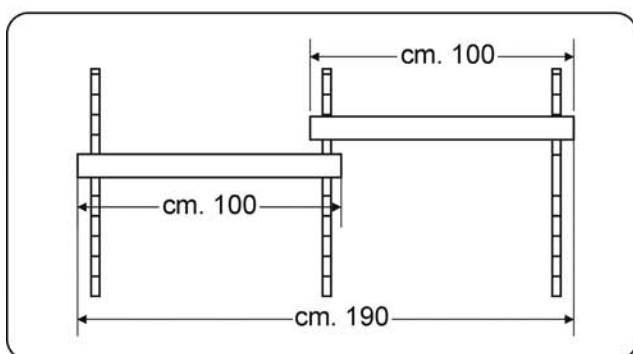
Note: made-to-measure shelving available upon request



Solid shelf



Vented shelf



| SOLID shelves - Capacity 100 kg/m | |
|-----------------------------------|---------------|
| Item | Max dim. (cm) |
| PLI3080 | 80x30 |
| PLI3090 | 90x30 |
| PLI30100 | 100x30 |
| PLI30110 | 110x30 |
| PLI30120 | 120x30 |
| PLI4080 | 80x40 |
| PLI4090 | 90x40 |
| PLI40100 | 100x40 |
| PLI40110 | 110x40 |
| PLI40120 | 120x40 |
| PLI5080 | 80x50 |
| PLI5090 | 90x50 |
| PLI50100 | 100x50 |
| PLI50110 | 110x50 |
| PLI50120 | 120x50 |
| PLI6080 | 80x60 |
| PLI6090 | 90x60 |
| PLI60100 | 100x60 |

| VENTED shelves - Capacity 100 kg/m | |
|------------------------------------|---------------|
| Item | Max dim. (cm) |
| PAI3080 | 80x30 |
| PAI3090 | 90x30 |
| PAI30100 | 100x30 |
| PAI30110 | 110x30 |
| PAI30120 | 120x30 |
| PAI4080 | 80x40 |
| PAI4090 | 90x40 |
| PAI40100 | 100x40 |
| PAI40110 | 110x40 |
| PAI40120 | 120x40 |
| PAI5080 | 80x50 |
| PAI5090 | 90x50 |
| PAI50100 | 100x50 |
| PAI50110 | 110x50 |
| PAI50120 | 120x50 |
| PAI6080 | 80x60 |
| PAI6090 | 90x60 |
| PAI60100 | 100x60 |

| Round posts, ø 3cm - Adjustable feet | |
|--------------------------------------|---------------|
| Item | Max dim. (cm) |
| MT075 | 75 |
| MT150 | 150 |
| MT180 | 180 |
| MT200 | 200 |

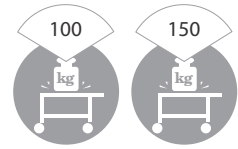
| Accessories | |
|-------------|-------------|
| Item | Description |
| PAG001 | Hooks |

| Reinforced SOLID shelves - Cap. 150 kg/m | |
|--|---------------|
| Item | Max dim. (cm) |
| PLIR30100 | 100x30 |
| PLIR30110 | 110x30 |
| PLIR30120 | 120x30 |
| PLIR30130 | 130x30 |
| PLIR30140 | 140x30 |
| PLIR40100 | 100x40 |
| PLIR40110 | 110x40 |
| PLIR40120 | 120x40 |
| PLIR40130 | 130x40 |
| PLIR40140 | 140x40 |
| PLIR50100 | 100x50 |
| PLIR50110 | 110x50 |
| PLIR50120 | 120x50 |
| PLIR50130 | 130x50 |
| PLIR50140 | 140x50 |
| PLIR60100 | 100x60 |
| PLIR60110 | 110x60 |
| PLIR60120 | 120x60 |
| PLIR60130 | 130x60 |
| PLIR60140 | 140x60 |

| Reinforced VENTED shelves - Cap. 150 kg/m | |
|---|---------------|
| Item | Max dim. (cm) |
| PAIR30100 | 100x30 |
| PAIR30110 | 110x30 |
| PAIR30120 | 120x30 |
| PAIR30130 | 130x30 |
| PAIR30140 | 140x30 |
| PAIR40100 | 100x40 |
| PAIR40110 | 110x40 |
| PAIR40120 | 120x40 |
| PAIR40130 | 130x40 |
| PAIR40140 | 140x40 |
| PAIR50100 | 100x50 |
| PAIR50110 | 110x50 |
| PAIR50120 | 120x50 |
| PAIR50130 | 130x50 |
| PAIR50140 | 140x50 |
| PAIR60100 | 100x60 |
| PAIR60110 | 110x60 |
| PAIR60120 | 120x60 |
| PAIR60130 | 130x60 |
| PAIR60140 | 140x60 |

MODULAR SHELVING SYSTEMS

- Stainless steel sheet L-shaped posts, 3.5x3.5cm
- Solid or vented shelves in stainless steel sheet with safety edges to eliminate sharpness
- Stainless steel bolts standard supplied
- Adjustable feet supplied on request
- Normal shelves: 100 kg/m load capacity
- Reinforced shelves: 150 kg/m load capacity



Note: made-to-measure shelving available upon request



| SOLID shelves - Capacity 100 kg/m | |
|-----------------------------------|---------------|
| Item | Max dim. (cm) |
| PLB3080 | 80x30 |
| PLB3090 | 90x30 |
| PLB30100 | 100x30 |
| PLB30110 | 110x30 |
| PLB30120 | 120x30 |
| PLB4080 | 80x40 |
| PLB4090 | 90x40 |
| PLB40100 | 100x40 |
| PLB40110 | 110x40 |
| PLB40120 | 120x40 |
| PLB5080 | 80x50 |
| PLB5090 | 90x50 |
| PLB50100 | 100x50 |
| PLB50110 | 110x50 |
| PLB50120 | 120x50 |
| PLB6080 | 80x60 |
| PLB6090 | 90x60 |
| PLB60100 | 100x60 |
| PLB60110 | 110x60 |
| PLB60120 | 120x60 |

| VENTED shelves - Capacity 100 kg/m | |
|------------------------------------|---------------|
| Item | Max dim. (cm) |
| PAB3080 | 80x30 |
| PAB3090 | 90x30 |
| PAB30100 | 100x30 |
| PAB30110 | 110x30 |
| PAB30120 | 120x30 |
| PAB4080 | 80x40 |
| PAB4090 | 90x40 |
| PAB40100 | 100x40 |
| PAB40110 | 110x40 |
| PAB40120 | 120x40 |
| PAB5080 | 80x50 |
| PAB5090 | 90x50 |
| PAB50100 | 100x50 |
| PAB50110 | 110x50 |
| PAB50120 | 120x50 |
| PAB6080 | 80x60 |
| PAB6090 | 90x60 |
| PAB60100 | 100x60 |
| PAB60110 | 110x60 |
| PAB60120 | 120x60 |

| L-shaped posts, 3.5x3.5 cm | |
|----------------------------|---------------|
| Item | Max dim. (cm) |
| MA100 | 100 |
| MA130 | 130 |
| MA150 | 150 |
| MA180 | 180 |
| MA200 | 200 |

| Accessories | |
|-------------|-----------------|
| Item | Description |
| PR001 | Adjustable foot |




















| Reinforced SOLID shelves - Cap. 150 kg/m | |
|--|---------------|
| Item | Max dim. (cm) |
| PLBR30100 | 100x30 |
| PLBR30110 | 110x30 |
| PLBR30120 | 120x30 |
| PLBR30130 | 130x30 |
| PLBR30140 | 140x30 |
| PLBR40100 | 100x40 |
| PLBR40110 | 110x40 |
| PLBR40120 | 120x40 |
| PLBR40130 | 130x40 |
| PLBR40140 | 140x40 |
| PLBR50100 | 100x50 |
| PLBR50110 | 110x50 |
| PLBR50120 | 120x50 |
| PLBR50130 | 130x50 |
| PLBR50140 | 140x50 |
| PLBR60100 | 100x60 |
| PLBR60110 | 110x60 |
| PLBR60120 | 120x60 |
| PLBR60130 | 130x60 |
| PLBR60140 | 140x60 |




















| Reinforced VENTED shelves - Cap. 150 kg/m | |
|---|---------------|
| Item | Max dim. (cm) |
| PABR30100 | 100x30 |
| PABR30110 | 110x30 |
| PABR30120 | 120x30 |
| PABR30130 | 130x30 |
| PABR30140 | 140x30 |
| PABR40100 | 100x40 |
| PABR40110 | 110x40 |
| PABR40120 | 120x40 |
| PABR40130 | 130x40 |
| PABR40140 | 140x40 |
| PABR50100 | 100x50 |
| PABR50110 | 110x50 |
| PABR50120 | 120x50 |
| PABR50130 | 130x50 |
| PABR50140 | 140x50 |
| PABR60100 | 100x60 |
| PABR60110 | 110x60 |
| PABR60120 | 120x60 |
| PABR60130 | 130x60 |
| PABR60140 | 140x60 |






















SPARE PARTS




















CASTORS/WHEELS

| Wheel ø cm | | | Finish | | Mount Type | | Part no. |
|---------------|--------|-------|---------------|---------------|--------------------|---|--------------|
| 5 | swivel | | chrome-plated | | Bracket |  | 005000500001 |
| 8 | swivel | | chrome-plated | | Bracket 4.5x4.5 |  | 005000800001 |
| 8 | swivel | brake | chrome-plated | | Bracket 4.5x4.5 |  | 005000800002 |
| 9.5 | swivel | | chrome-plated | | Thread M10x15 |  | 005100950003 |
| 9.5 | swivel | brake | chrome-plated | | Thread M10x15 |  | 005100950006 |
| 9.5 | swivel | | chrome-plated | | Stem 20x20 |  | 005150950001 |
| 9.5 | swivel | brake | chrome-plated | | Stem 20x20 |  | 005150950002 |
| 9.5 | swivel | | brass-plated | | Thread M10x20 |  | 005100950002 |
| 9.5 | swivel | brake | brass-plated | | Thread M10x20 |  | 005100950005 |
| 10 | swivel | | chrome-plated | | Thread M10x20 |  | 005101000001 |
| 10 | swivel | brake | chrome-plated | | Thread M10x20 |  | 005101000004 |
| 10 | swivel | | chrome-plated | | Thread M10x20 |  | 005101000003 |
| 10 | swivel | brake | chrome-plated | | Thread M10x20 |  | 005101000002 |
| 10 | swivel | | chrome-plated | ball bearings | Hole |  | 005251000001 |
| 10 | swivel | brake | chrome-plated | ball bearings | Hole |  | 005251000002 |
| 10 | swivel | | chrome-plated | ball bearings | Thread M10x20 |  | 005101000006 |
| 10 | swivel | brake | chrome-plated | Ball bearings | Thread M10x20 |  | 005101000007 |
| 12.5 | swivel | | PVC | | Thread M10x20 |  | 005101250008 |
| 12.5 | swivel | brake | PVC | | Thread M10x20 |  | 005101250007 |

| Wheel ø cm | | Finish | | | Mount Type | Part no. | |
|---------------|--------|-----------|------------|------------------|------------------|--|--|
| 12.5 | swivel | | PVC | | Thread M10x40 |  005101250009 | |
| 12.5 | swivel | brake | PVC | | Thread M10x40 |  005101250010 | |
| 12.5 | swivel | | PVC | | Thread M10x90 |  005101250011 | |
| 12.5 | swivel | brake | PVC | | Thread M10x90 |  005101250012 | |
| 12.5 | swivel | | PVC | | Stem ø 25 |  005201250018 | |
| 12.5 | swivel | brake | PVC | | Stem ø 25 |  005201250019 | |
| 12.5 | swivel | | galvanised | | Stem 25x25 |  005201250001 | |
| 12.5 | swivel | brake | galvanised | | Stem 25x25 |  005201250002 | |
| 12.5 | swivel | | PVC | | Bracket 7x5 |  005001250014 | |
| 12.5 | swivel | brake | PVC | | Bracket 7x5 |  005001250015 | |
| 12.5 | fixed | resilient | galvanised | ball bearings | Bracket 8x6 |  005051250006 | |
| 12.5 | swivel | resilient | galvanised | ball bearings | Bracket 8x6 |  005001250016 | |
| 12.5 | swivel | brake | resilient | galvanised | ball bearings | Bracket 8x6 |  005001250017 |
| 12.5 | swivel | | galvanised | | Thread M10x20 |  005101250001 | |
| 12.5 | swivel | brake | galvanised | | Thread M10x20 |  005101250002 | |
| 12.5 | swivel | | galvanised | | Stem 20x20 |  005151250001 | |
| 12.5 | swivel | brake | galvanised | | Stem 20x20 |  005151250002 | |
| 12.5 | swivel | | galvanised | | Stem ø 25 |  005151250001 | |
| 12.5 | swivel | brake | galvanised | | Stem ø 25 |  005151250002 | |

CASTORS/WHEELS

| Wheel ø cm | | | Finish | | Mount Type | Part no. | |
|---------------|--------|--------|--------------------------|--------------------|------------------|--|--|
| 12.5 | swivel | | galvanised | | Stem 25x25 |  005201250001 | |
| 12.5 | swivel | brake | galvanised | | Stem 25x25 |  005201250002 | |
| 12.5 | swivel | | nylon + poly_urethane | stainless steel | Hole |  005251250038 | |
| 12.5 | swivel | brake | nylon + poly_urethane | stainless steel | Hole |  005251250039 | |
| 12.5 | swivel | | resilient | chrome-plated | ball bearings | Hole |  005251250032 |
| 12.5 | swivel | brake | resilient | chrome-plated | ball bearings | Hole |  005251250033 |
| 12.5 | swivel | | resilient | chrome-plated | ball bearings | Thread M10x40 |  005101250013 |
| 12.5 | swivel | brake | resilient | chrome-plated | ball bearings | Thread M10x40 |  005101250014 |
| 402 | 12.5 | swivel | resilient | chrome-plated | ball bearings | Thread M10x90 |  005101250015 |
| 12.5 | swivel | brake | resilient | chrome-plated | ball bearings | Thread M10x90 |  005101250016 |
| 12.5 | swivel | | resilient | chrome-plated | ball bearings | Stem 20x20 |  005201250023 |
| 12.5 | swivel | brake | resilient | chrome-plated | ball bearings | Stem 20x20 |  005201250022 |
| 12.5 | swivel | | resilient | chrome-plated | ball bearings | Stem ø 25 |  005201250014 |
| 12.5 | swivel | brake | resilient | chrome-plated | ball bearings | Stem ø 25 |  005201250015 |
| 12.5 | swivel | | resilient | chrome-plated | ball bearings | Stem 25x25 |  005201250017 |
| 12.5 | swivel | brake | resilient | chrome-plated | ball bearings | Stem 25x25 |  005201250016 |
| 14 | fixed | | galvanised | | Bracket 8x6 |  005051400001 | |
| 14 | swivel | | galvanised | | Bracket 8x6 |  005001400001 | |
| 14 | swivel | brake | galvanised | | Bracket 8x6 |  005001400002 | |

| Wheel ø cm | | Finish | | Mount Type | | Part no. | |
|---------------|--------|----------------|---------------|-----------------|----------------|--|--|
| 15 | fixed | | chrome-plated | Ball bearings | Bracket 7x5 |  005051500001 | |
| 15 | swivel | | chrome-plated | ball bearings | Bracket 7x5 |  005001500003 | |
| 15 | swivel | brake | chrome-plated | ball bearings | Bracket 7x5 |  005001500004 | |
| 16 | fixed | | brass-plated | | Bracket 10.5x8 |  005051600003 | |
| 16 | swivel | brake | brass-plated | | Bracket 10.5x8 |  005001600005 | |
| 16 | fixed | | galvanised | | Bracket 10.5x8 |  005051600002 | |
| 16 | swivel | | galvanised | | Bracket 10.5x8 |  005001600004 | |
| 16 | swivel | brake | galvanised | | Bracket 10.5x8 |  005001600002 | |
| 16 | fixed | | galvanised | roller bearings | Bracket 10.5x8 |  005051600004 | |
| 16 | swivel | | galvanised | roller bearings | Bracket 10.5x8 |  005001600007 | |
| 16 | swivel | brake | galvanised | roller bearings | Bracket 10.5x8 |  005001600006 | |
| 16 | fixed | resilient | galvanised | ball bearings | Bracket 10.5x8 |  005051600005 | |
| 16 | swivel | resilient | galvanised | ball bearings | Bracket 10.5x8 |  005001600010 | |
| 16 | swivel | brake | resilient | galvanised | ball bearings | Bracket 10.5x8 |  005001600011 |
| 20 | fixed | | galvanised | ball bearings | Bracket 10.5x8 |  005052000007 | |
| 20 | swivel | integral brake | galvanised | ball bearings | Bracket 10.5x8 |  005002000014 | |
| 20 | | | | | Hole 2 cm |  005302000002 | |
| 20 | fixed | tyre | galvanised | roller bearings | Bracket 10.5x8 |  005052000009 | |
| 20 | swivel | tyre | galvanised | roller bearings | Bracket 10.5x8 |  005002000017 | |

DOMES

Description

Part no.

1/1GN semi-cylindrical dome

233004250008

Roll-top system for 1/1GN semi-cylindrical dome

233004250009



Complete semi-cylindrical dome 66x515x26h cm

433004200007

Right side

233004200001

Left side

233004200004

Inner roll-top

233004200018

Outer roll-top

233004200017

Complete semi-cylindrical dome 90x515x26h cm

433004200002

Right side

233004200001

Left side

233004200004

Inner roll-top

233004200006

Outer roll-top

233004200005

Complete semi-cylindrical dome 101x515x26h cm

433004200008

Right side

233004200001

Left side

233004200004

Inner roll-top

233004200020

Outer roll-top

233004200019

404



| Description | Part no. |
|--|--------------|
| Complete semi-cylindrical dome 69x63x32h cm | 433004200018 |
| Right side | 233004200010 |
| Left side | 233004200009 |
| Inner roll-top | 233004200051 |
| Outer roll-top | 233004200050 |
| Complete semi-cylindrical dome 101x63x32h cm | 433004200017 |
| Right side | 233004200010 |
| Left side | 233004200009 |
| Inner roll-top | 233004200044 |
| Outer roll-top | 233004200043 |
| Complete semi-cylindrical dome 149x63x32h cm | 433004200014 |
| Right side | 233004200010 |
| Left side | 233004200009 |
| Inner roll-top | 233004200036 |
| Outer roll-top | 233004200035 |



Rectangular dome with hinged opening c/w hardware 90x44x14h cm 433004240002

Rectangular dome with hinged opening c/w hardware 90x50x14h cm 433004250001



DOMES

| Description | Part no. |
|---|--------------|
| Front opening dome 69x63x33h cm | 433004200019 |
| Right side | 233004200039 |
| Left side | 233004200037 |
| Roll-top | 233004200050 |
| Back panel | 233004200047 |
| Wooden shelf, oak stained | 233004200048 |
| Wooden shelf, wenge stained | 233004200049 |
| Front opening dome 101x63x33h cm | 433004200015 |
| Right side | 233004200039 |
| Left side | 233004200037 |
| Roll-top | 233004200043 |
| Back panel | 233004200038 |
| Wooden shelf, oak stained | 233004200040 |
| Wooden shelf, wenge stained | 233004200046 |
| 406 Front opening dome 149x63x33h cm | 433004200016 |
| Right side | 233004200039 |
| Left side | 233004200037 |
| Roll-top | 233004200035 |
| Back panel | 233004200041 |
| Wooden shelf, oak stained | 233004200042 |
| Wooden shelf, wenge stained | 233004200045 |



| Description | Part no. |
|-------------------------------|--------------|
| Complete dome for series 6670 | 433004210005 |
| Sliding rounded front part | 333004210001 |
| Fixed back panel | 333004210003 |
| Fixed back with LED housing | 333004210004 |
| Glass shelf | 233004210007 |



SNEEZE GUARDS

| Description | Part no. |
|---------------------------------------|--------------|
| Acrylic cutlery holder cover door | 232201800002 |
| Right tempered glass door with handle | 232000840006 |
| Left tempered glass door | 232000840005 |
| Hinge | 001754140004 |
| Hinge mounting plate | 001754140005 |



408

| | |
|--|--------------|
| Front vertical tempered glass sneeze guard - 2x1/1GN | 231101800034 |
| Front vertical tempered glass sneeze guard - 3x1/1GN | 231101800030 |
| Front vertical tempered glass sneeze guard - 4x1/1GN | 231101800032 |
| Top curved tempered glass sneeze guard - 2x1/1GN | 231101800033 |
| Top curved tempered glass sneeze guard - 3x1/1GN | 231101800029 |
| Top curved tempered glass sneeze guard - 4x1/1GN | 231101800031 |
| Sneeze guard right shelf support | 231101680022 |
| Sneeze guard left shelf support | 231101680023 |



| Description | Part no. |
|---------------------------------------|--------------|
| Acrylic buffet sneeze guard - 2x1/1GN | 233004200032 |
| Acrylic buffet sneeze guard - 3x1/1GN | 233004200031 |
| Acrylic buffet sneeze guard - 4x1/1GN | 233004200030 |
| Acrylic buffet sneeze guard - 5x1/1GN | 233004200033 |
| Acrylic buffet sneeze guard - 6x1/1GN | 233004200034 |



| | |
|--|--------------|
| RH-LH side tempered glass buffet sneeze guard - 2x1/1GN | 231304220011 |
| RH-LH side tempered glass buffet sneeze guard - 3x1/1GN | 231304220010 |
| RH-LH side tempered glass buffet sneeze guard - 4x1/1GN | 231304220002 |
| RH-LH side tempered glass buffet sneeze guard - 5x1/1GN | 231304220009 |
| RH-LH side tempered glass buffet sneeze guard - 6x1/1GN | 231304220008 |
| Central tempered glass buffet sneeze guard - 2x1/1GN | 231304220007 |
| Central tempered glass buffet sneeze guard - 3x1/1GN | 231304220006 |
| Central tempered glass buffet sneeze guard - 4x1/1GN | 231304220001 |
| Central tempered glass buffet sneeze guard - 5x1/1GN | 231304220005 |
| Central tempered glass buffet sneeze guard - 6x1/1GN | 231304220004 |
| RH-LH vertical lift-up mechanism for buffet sneeze guard | 231304220003 |
| Central lift-up mechanism for buffet sneeze guard | 231304220012 |



ELECTRICAL COMPONENTS

| Description | Part no. |
|--|--------------|
| Square double pole switch, green | 003252060001 |
| Round double pole switch, green | 003252040002 |
| Square switch protection | 003252060002 |
| Round switch protection | 003252040003 |
| Digital thermostat +30°C +90°C | 003201840005 |
| Digital thermostat -35°C +35°C | 003201840004 |
| 2m silicone probe for thermostat +30°C +90°C | 003201860004 |
| Probe for thermostat -35°C +35°C | 003201860005 |
| Adjustable mechanical thermostat +30°C +90°C | 003201820001 |
| Adjustable mechanical thermostat -35°C +35°C | 003201820002 |
| Thermometer -40°C +40°C, 4cm diameter | 003703820002 |
| Thermometer 0°C +120°C, 5.2cm diameter | 003703820003 |
| Red warning light 220V | 003302260001 |
| Power cable with Schuko plug | 003553260002 |
| 3-pole male chassis connector | 003553300001 |
| Coiled power cable - 3m long, cross-section 3x15 - Schuko plug | 003553280001 |
| Coiled power cable - 3m long, cross-section 3x2.5 - w/o plug | 003553280004 |
| Power plug 2P+GND 6h/250V - 16A - IP67 (IEC 309) | 003553320001 |
| Porcelain lamp holder | 003151620001 |
| 250W infrared lamp, colour: red | 003151620002 |
| 250W infrared lamp, colour: white | 003151620004 |
| Fluorescent tube - 60cm long | 003151630003 |
| Fluorescent tube - 90cm long | 003151630002 |
| Fluorescent tube - 120cm long | 003151630001 |
| Fluorescent tube - 150cm long | 003151630004 |
| Compressor unit 1/8-R134A | 431304440002 |
| Compressor unit 1/5-R404A-R507 | 431304440001 |
| 1/2" ball valve | 002001020001 |
| 3/8" ball valve | 002001020002 |

| Description | Part no. |
|--|--------------|
| Adhesive aluminum foil tape, price per sq.m. | 021200750003 |
| Wire-wound heating element - 230V-250W - 4m long | 003001040018 |
| Wire-wound heating element - 230V-300W - 6m long | 003001040019 |
| Wire-wound heating element - 230V-450W - 8m long | 003001040020 |
| Wire-wound heating element - 230V-600W - 10m long | 003001040021 |
| Wire-wound heating element - 230V-750W - 12m long | 003001040022 |
| Wire-wound heating element - 230V-350W - 4m long | 003001040023 |
| Wire-wound heating element - 230V-650W - 8m long | 003001040024 |
| Wire-wound heating element - 230V-1000W - 12m long | 003001040025 |
| Wire-wound heating element - 230V-1300W - 15m long | 003001040026 |
| Bain-Marie immersion heating element - 230V-1950W | 003001020002 |
| Bain-Marie immersion L-shaped heating element - 230V-2000W | 003001020001 |
| Foil heating element for Bain-Marie - 230V-600W | 003001070002 |
| Foil heating element for dry heat - 230V-250W | 003001080003 |
| 230V-500W heating element w/o power cable | 003001040010 |
| Stainless steel tube heating element - 230V- 400W w/o power cable | 003001040002 |
| Stainless steel tube heating element - 230V- 800W w/o power cable | 003001040030 |
| Stainless steel tube heating element - 230V-1400W w/o power cable | 003001040005 |
| Stainless steel tube heating element - 230V-1800W w/o power cable | 003001040004 |
| Ventilated oven heating element - 230V-1600W | 003001040017 |
| Ventilated oven heating element - 230V-2050W | 003001040016 |
| Powered fan for cupboard heating element | 003653640002 |
| Cooling fan | 003653640003 |
| Grey PVC ring buffer, 2.5cm ø round hole | 233004680005 |
| Grey PVC ring buffer, 2x2cm square hole | 233004680003 |
| Grey PVC ring buffer, 2.5x2.5cm square hole | 233004680011 |
| Grey PVC corner bumper | 233004680002 |
| Grey PVC corner bumper with fitting | 233004680001 |
| Grey PVC rubber trim, price per metre | 021200650001 |
| Grey rubber buffer | 233004680028 |
| Door seal in silicone elastomer suitable for food contact, price per metre | 021200850001 |

MISCELLANEOUS

| Description | Part no. |
|---|--------------|
| 2-burner hob | 009540650001 |
| 1-burner hob | 009540650002 |
| Gas supply pipe | 002503020003 |
| Lid, ø 28cm | 009580760004 |
| Container, ø 28x27x1cm, with spigot | 009580760001 |
| Complete support for container with spigot | 431604440001 |
| 3/4" tap complete with nozzle | 002503100002 |
| PVC product tray | 233002520002 |
| Cutlery drawer, black PVC | 233006120001 |
| Snap closure handle, with lock | 001703900003 |
| Snap closure handle | 001703900001 |
| Knob handle with lock, complete with bars and hardware | 001703930002 |
| 10 place self-service support, chrome-plated iron | 233005280002 |
| 12 place self-service support, chrome-plated iron | 233005280001 |
| 10 place tray support, stainless steel wire, 520 | 233005280007 |
| 10 place tray support, stainless steel wire, 620 | 233005280008 |
| 30 plate draining rack, stainless steel | 233005280036 |
| 36 plate draining rack, stainless steel | 233005280037 |
| 20 plate draining rack, stainless steel | 233005280011 |
| Wire rack, white Rilsan plastic coated | 233005280018 |
| Divider for wire rack, white Rilsan plastic coated | 233005280019 |
| 48-plate holder, white Rilsan plastic coated, ø 24-31cm | 233005280010 |
| 48-plate holder, white Rilsan plastic coated, ø 18-24cm | 233005280009 |
| 24-plate holder, white Rilsan plastic coated, ø 24-31cm | 233005280041 |
| 24-plate holder, white Rilsan plastic coated, ø 18-24cm | 233005280040 |
| Grey ABS drip tray, 78.5x58.5x8cm | 233002520004 |
| Grey ABS drip tray, 93.5x58.5x8cm | 233002520007 |

| Description | Part no. |
|-------------|----------|
| Canvas bag | R0010 |
| Canvas bag | R0015 |
| Canvas bag | R0020 |
| Canvas bag | R0030 |
| Canvas bag | R0040 |
| Canvas bag | R0050 |
| Canvas bag | R0080 |
| Canvas bag | R0085 |
| Canvas bag | R0296 |



ORDERS

Placing an order implies full acceptance of these sales terms and conditions, to which NO exception whatsoever is permitted, unless expressly agreed in writing. Orders passed to intermediaries and sales agents will be accepted by us with the specific clause "subject to the selling company's approval".

PRICES

The prices indicated on this price list are ex-works and net of VAT. The company reserves the right to review the prices without prior notice should there prove to be significant changes to the cost of raw materials, labour or other costs of any kind whatsoever. In any case, the final price applicable will be that indicated on the order confirmation. Goods will be packaged in cardboard boxes or palletized cardboard boxes, suitable for the type of product being shipped. Any additional packaging will be charged at cost.

TRANSPORT

Goods travel at the risk of the purchaser, even if sold on free port terms. Therefore, the consignee is responsible for checking the state of the goods at the time of delivery. In the event of any discrepancy, claims should be forwarded to the sender within 24 hours of withdrawal.

Should goods be damaged on arrival, in order to open an insurance claim and ensure the goods are restored, it is essential to comply with the following procedure: write the words "box not intact, goods accepted unchecked" on the delivery note or invoice and on the transport document.

Delivery terms and conditions are not binding in any way, but merely indicative. Any delays that may occur cannot therefore, represent a reason for waiving or modifying the agreements specified on the order nor can they give rise to a claim for damages against the manufacturer.

GUARANTEE

The manufacturer guarantees the goods for a period of 12 months from the date of purchase. The guarantee covers faults due to materials and manufacturing. The guarantee does not cover electrical parts (resistances, thermostats, compressors, lamps, circuit breakers, etc.) or materials subject to wear and tear (wheels, brushes, etc.). Products deemed faulty must be carefully repackaged in their original packaging and shipped to our warehouses on free port terms. Any intervention under guarantee will be carried out exclusively at our premises in Bellaria I.M. (RN), Italy and any goods repaired or replaced will be sent back to the consignee without the application of further costs.

The manufacturer declares that the products illustrated in this catalogue comply with applicable European legislation.

RETURN OF GOODS

In no circumstances will returns be accepted without prior written consent by Metalcarelli. In the event of any returns that are the client's responsibility, in other words returns not attributable to our error, providing they are INTACT and UNUSED and packaged in their original packaging, goods will be accredited by way of a reduction on the purchase price. In no case whatsoever will we accept returns of stainless steel items whose protection has been removed or items specially made to measure.

COMPLAINTS - FAULTS

Complaints and/or claims must be communicated in writing within 8 (eight) days at the very latest of the date of receipt of goods, excluding any transport problems as mentioned above.

PAYMENTS

Payments will not be considered valid unless made directly at the manufacturer's place of business or to one of its representatives that, at the time of receipt, must provide due authorization. Any delays in payment, as well as any other contractual non-fulfillments, will give rise to a suspension of any other supplies; it will also give the manufacturer the right to apply interest on arrears. In the event of any controversy arising, the purchaser does not have any right to delay or refuse payment for goods supplied that has reached maturity. Sales with deferred payment are considered carried out with retention of title by the manufacturer until the balance has been settled.

JURISDICTION

In case of dispute, the only competent court shall be the one of Rimini.

RESERVE CLAUSE

The manufacturer reserves the right to modify, at any time and without prior notice, the dimensions and execution of the products listed in this catalogue. Any illustrations, photos or descriptions included in this catalogue should be considered general indications and do not constitute an exclusive obligation nor do they necessarily correspond to the effective conformation of the products.

Any drawings, illustrations or prints provided by the manufacturer along with a supply offer or contract are covered by the Metalcarelli brand and are to be considered proprietary by law. Therefore, in the event of reproduction, the source must be specified.

The purchaser undertakes not to use any trade names or brands registered by Metalcarelli on its own goods, property or promotional material, unless expressly authorized by the manufacturer.

