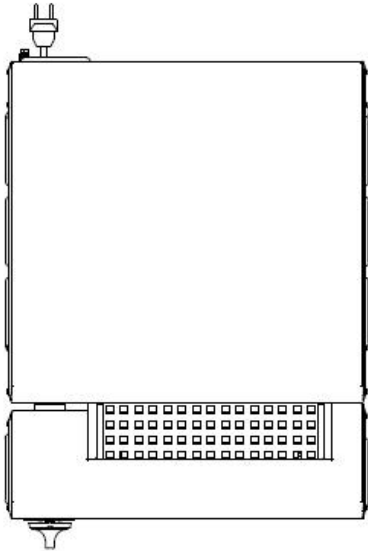
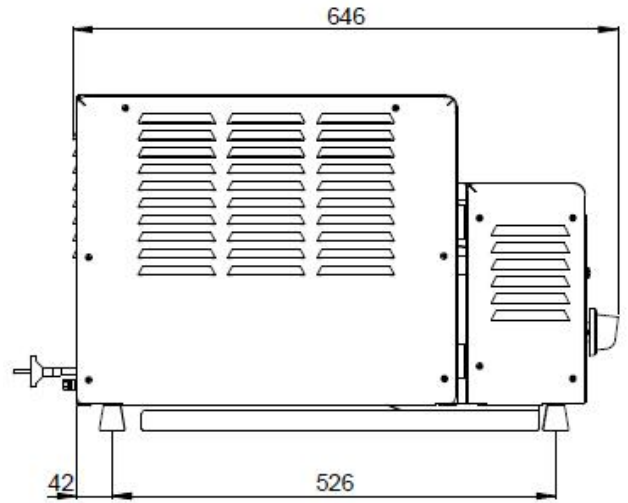
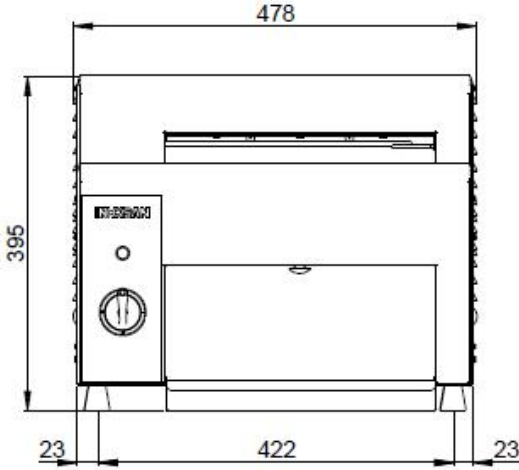


# İNOKSAN

## PEK 100 ELECTRIC CONVEYOR TOASTER



## GENERAL FEATURES

- Toaster ,
- Electric , with conveyor ,
- Toasting capacity : 600 pieces/h,
- Manufactured of AISI grinded sheet ,
- Speed of the conveyor belts adjusted to toast the bread as 2 min/cycle per batch ,
- Toasted bread self- directed to the slide-in tray ,
- To dehumidify or keep the heat of the toasted products veya until distribution , a grid on top of the machine is fixed,
- Possibility of toasting the bread at different positions considering its humidity by gradual switch .

Total Power	3.5	Kw
Electric Inlet	230	V
Cable Section	3x1,5	mm <sup>2</sup>
Dimensions w/Pallet+ Box		LxDxH

## TECHNICAL SPECIFICATIONS

PAGE 2-2	ELECTRIC CONVEYOR TOASTER	ÜR- PEK100	Revision No : 0
		<b>iNOKSAN A.Ş.</b>	Revision Date : 25.01.2019

I ktetepe OSB mahallesi Eflatun CD. No:9 16159 Nilüfer/BURSA inoksan@inoksan.com.tr T. +90 224 294 74 74 - F. +90 224 243 61 23